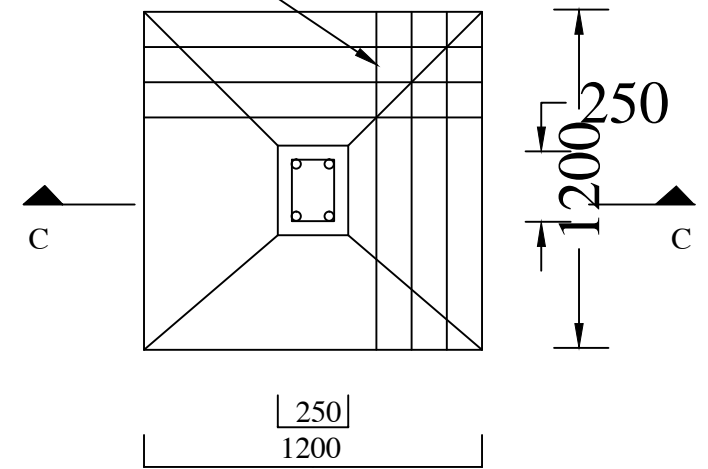


**SECTION -CC**

10 TOR @ 150 C/C  
 BOTH WAY  
 R.C.C. JALI



PLAN

**DETAIL OF FOUNDATION**

Structure Detail