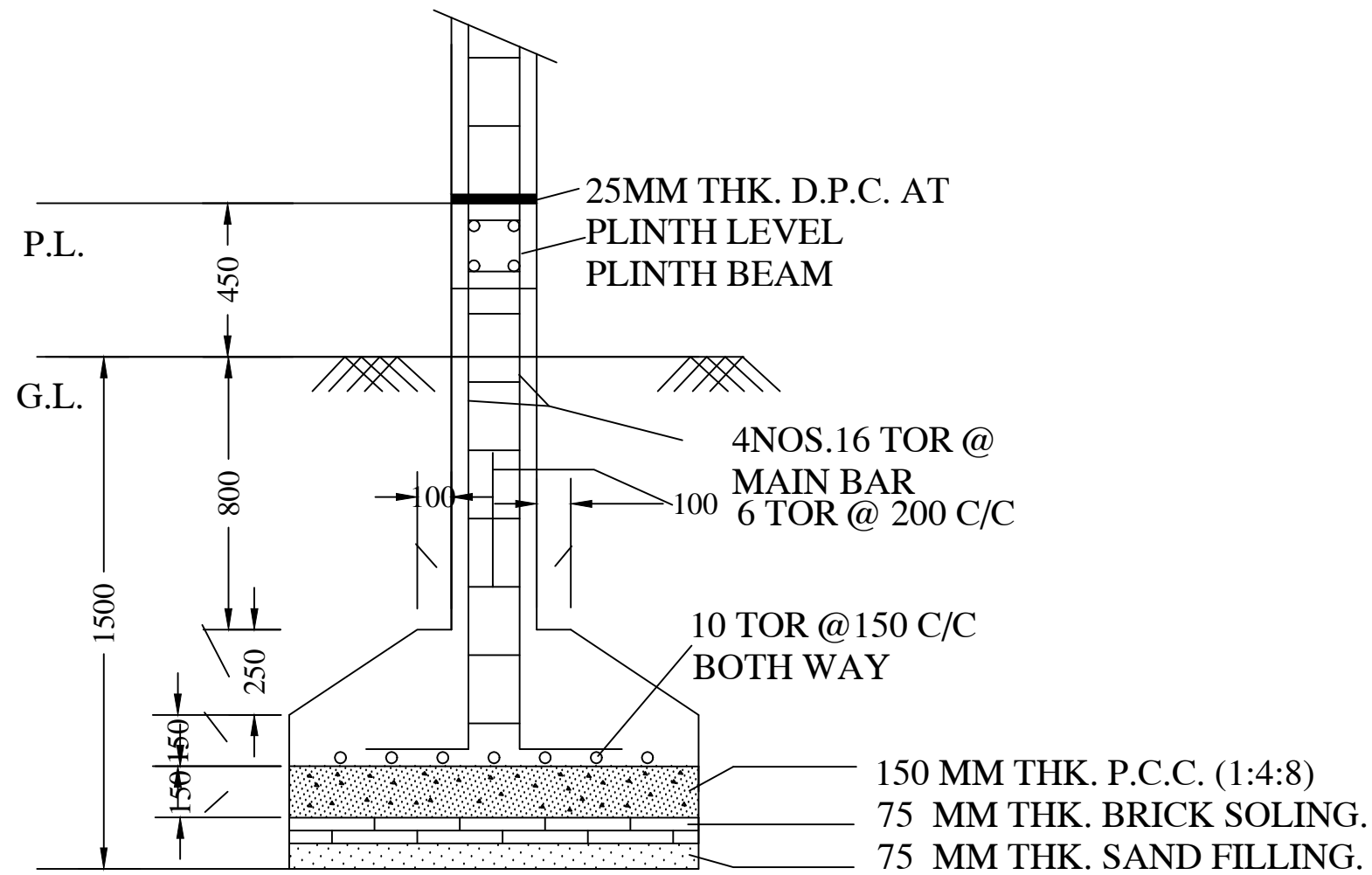


PRODUCED BY AN AUTODESK EDUCATIONAL PRODUCT

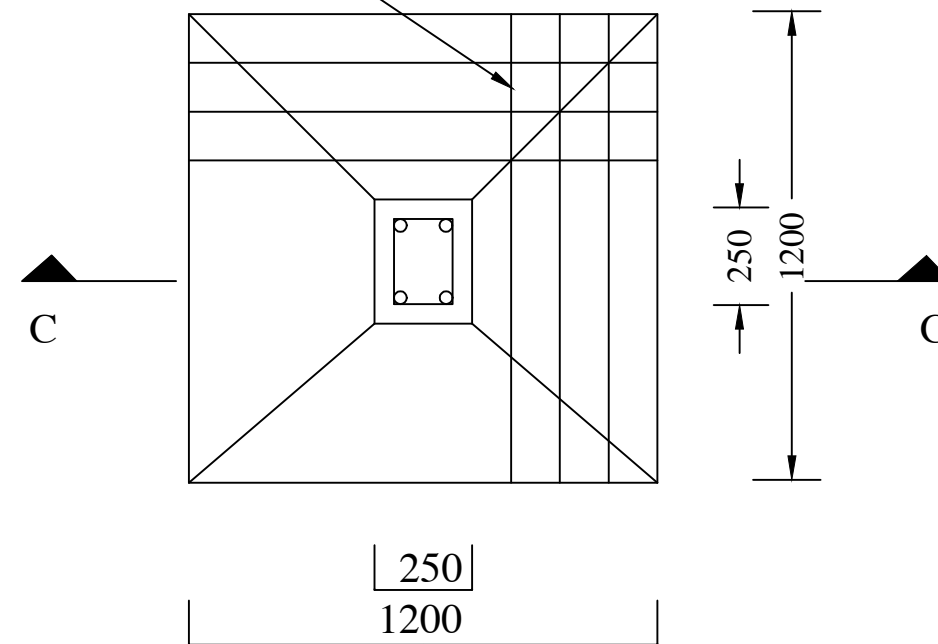
PRODUCED BY AN AUTODESK EDUCATIONAL PRODUCT



**SECTION -CC**

Structure Detail

10 TOR @ 150 C/C  
BOTH WAY  
R.C.C. JALI



PLAN

**DETAIL OF FOUNDATION**