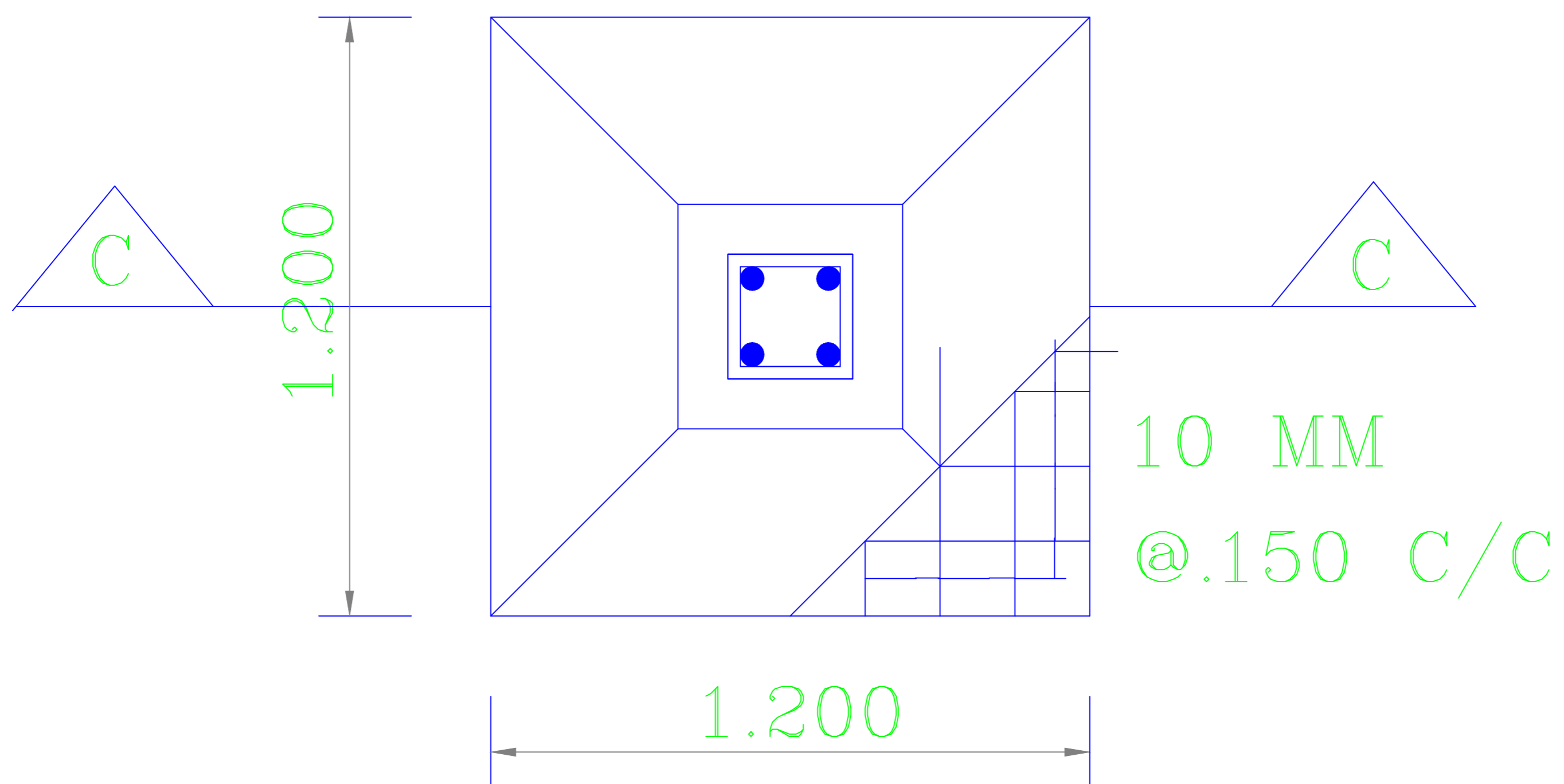


SECTION C—C



PLAN

R.C.C. COLUMN FOUNDN.

(SCALE— 1:50)