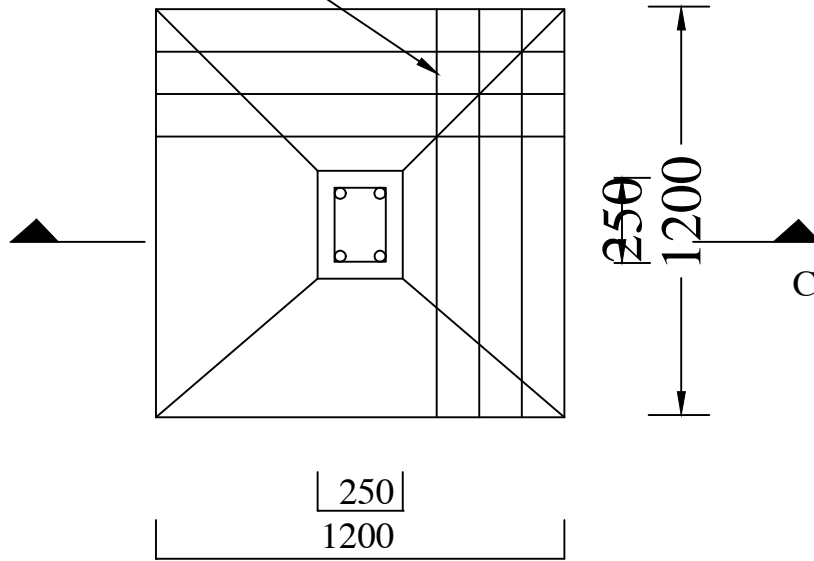
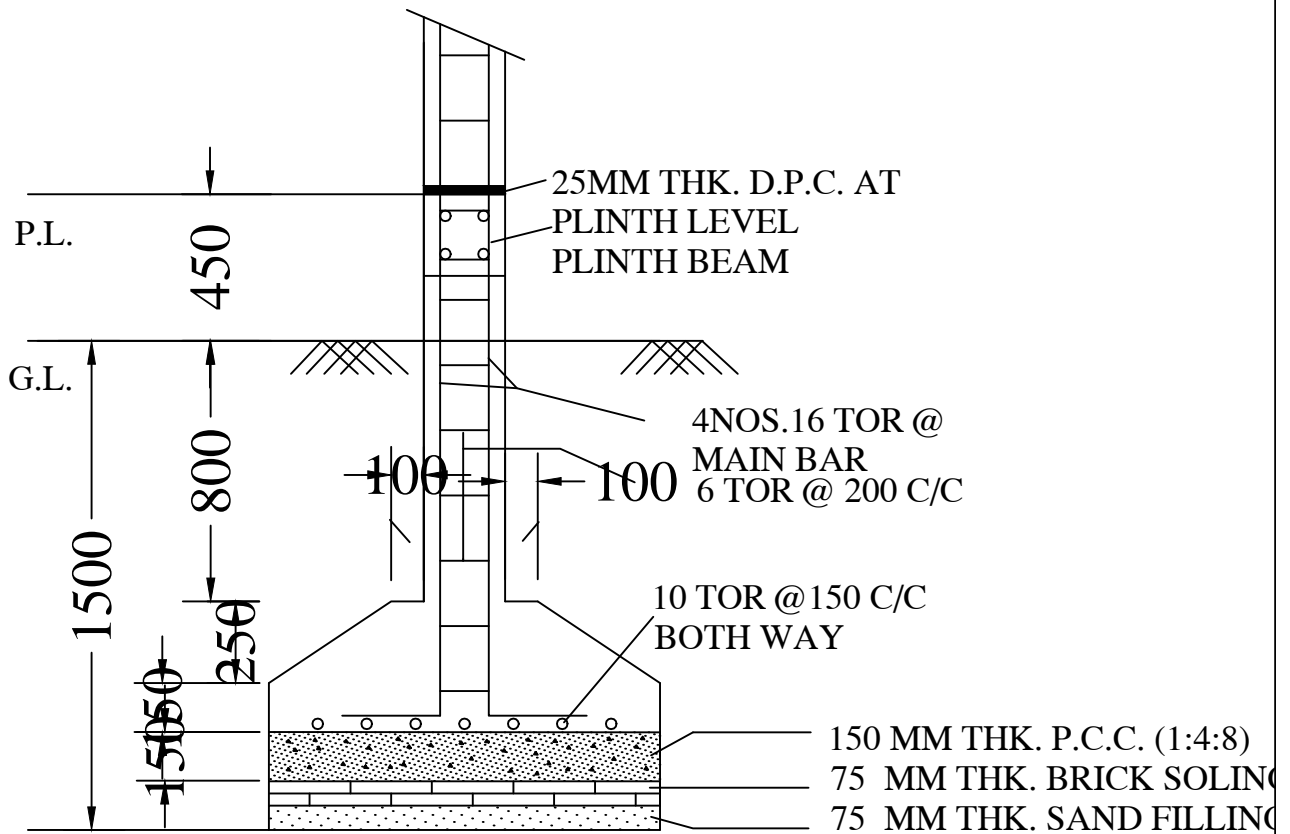


10 TOR @ 150 C/C
 BOTH WAY
 R.C.C. JALI



PLAN

DETAIL OF FOUNDATION



SECTION -CC