

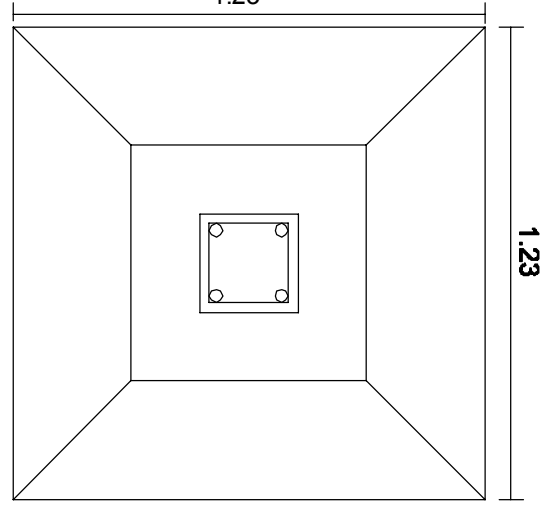
12 MM $\phi$  6 NOS  
MAIN REINFORCEMENT  
IN COLUMN

10 MM  $\phi$  BOTH SIDE  
0.13 C/C IN FOOTING

0.10 THK P.C.C.  
FLAT B.K. SOALING  
0.08 SAND FILLING

R.C.C. COLUMN  
1.23

FDN. DETAIL,  
SCALE 1" = 4'-0"



PLAN

SCALE 1" = 4'-0"

# STRUCTURE DETAILS