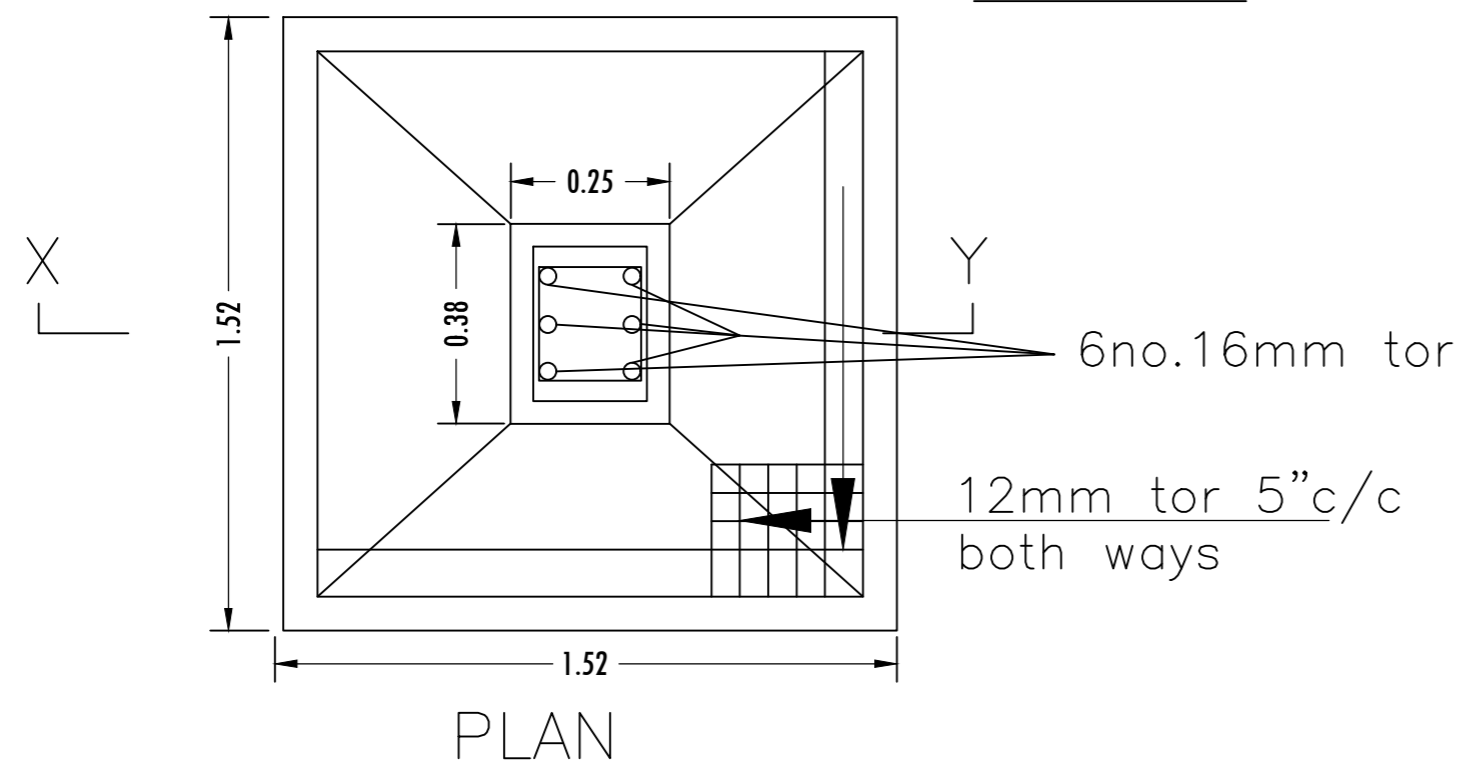
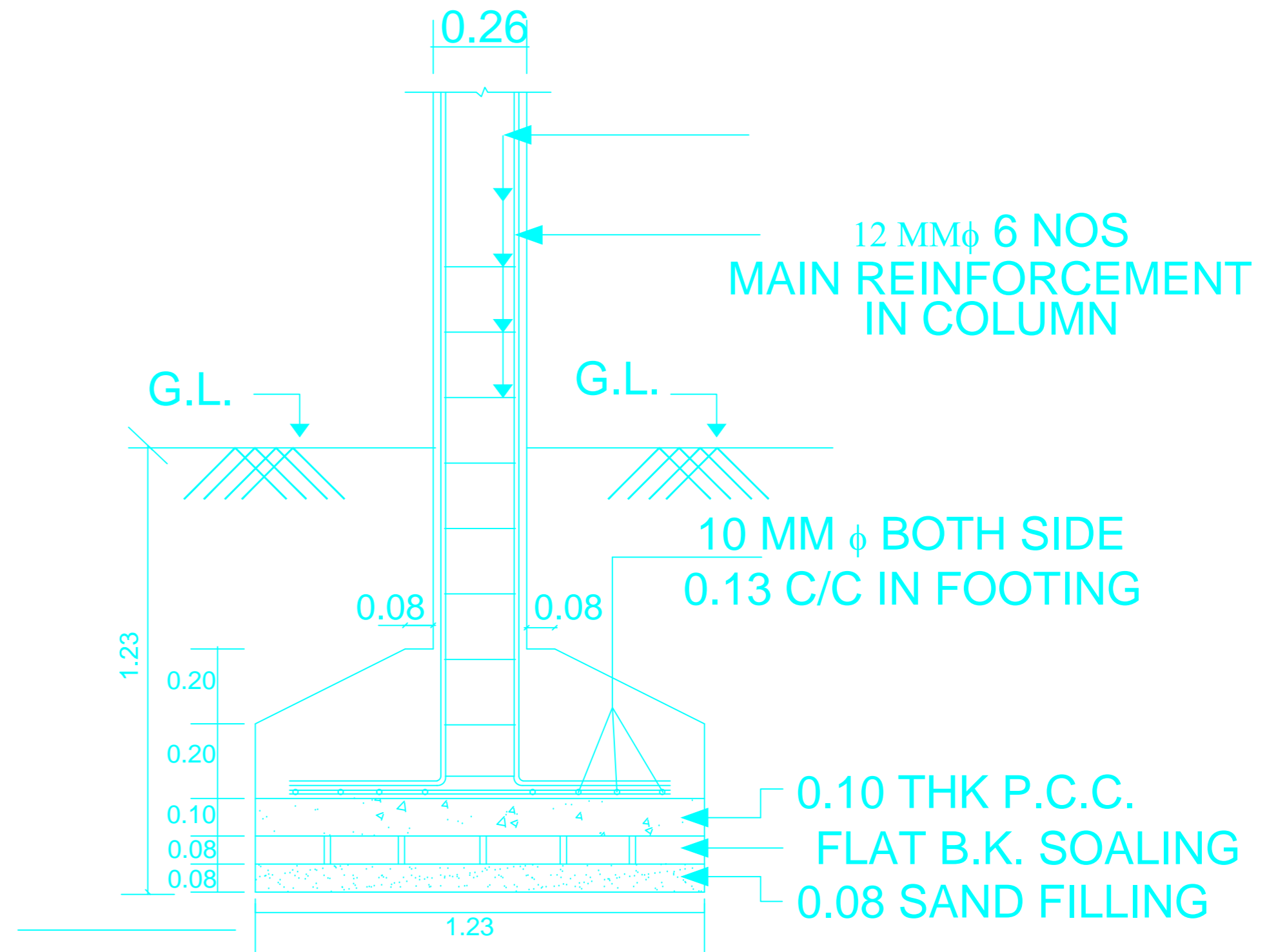


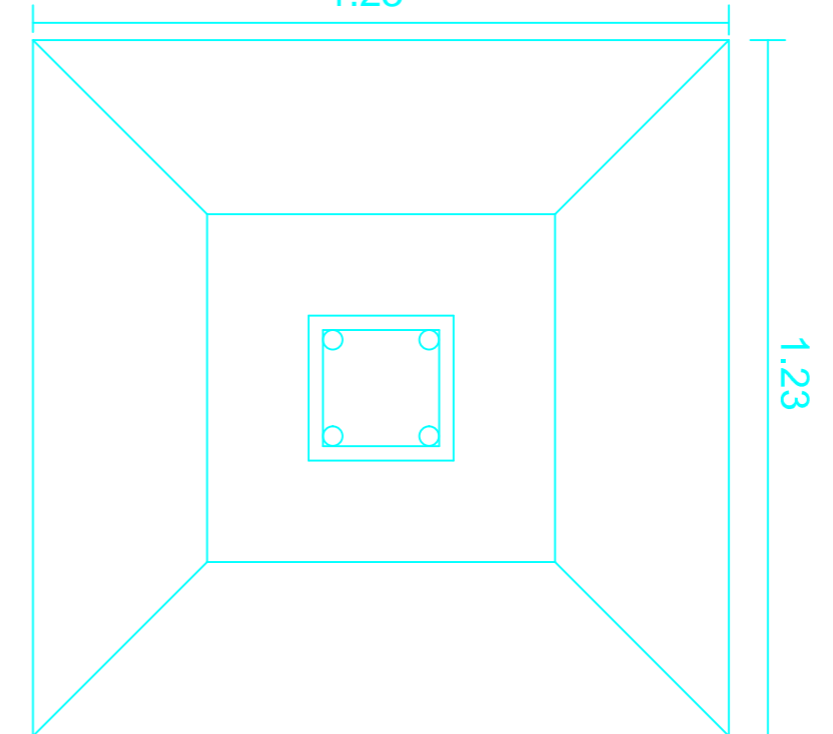
SEC. X-Y
 R.C.C. COLUMN FDN.DETAIL
 SCALE 1" = 2'-0"



PLAN
 SCALE-1":2'-0"



R.C.C. COLUMN FDN.DETAIL
 SCALE 1" = 4'-0"



PLAN
 SCALE 1" = 4'-0"