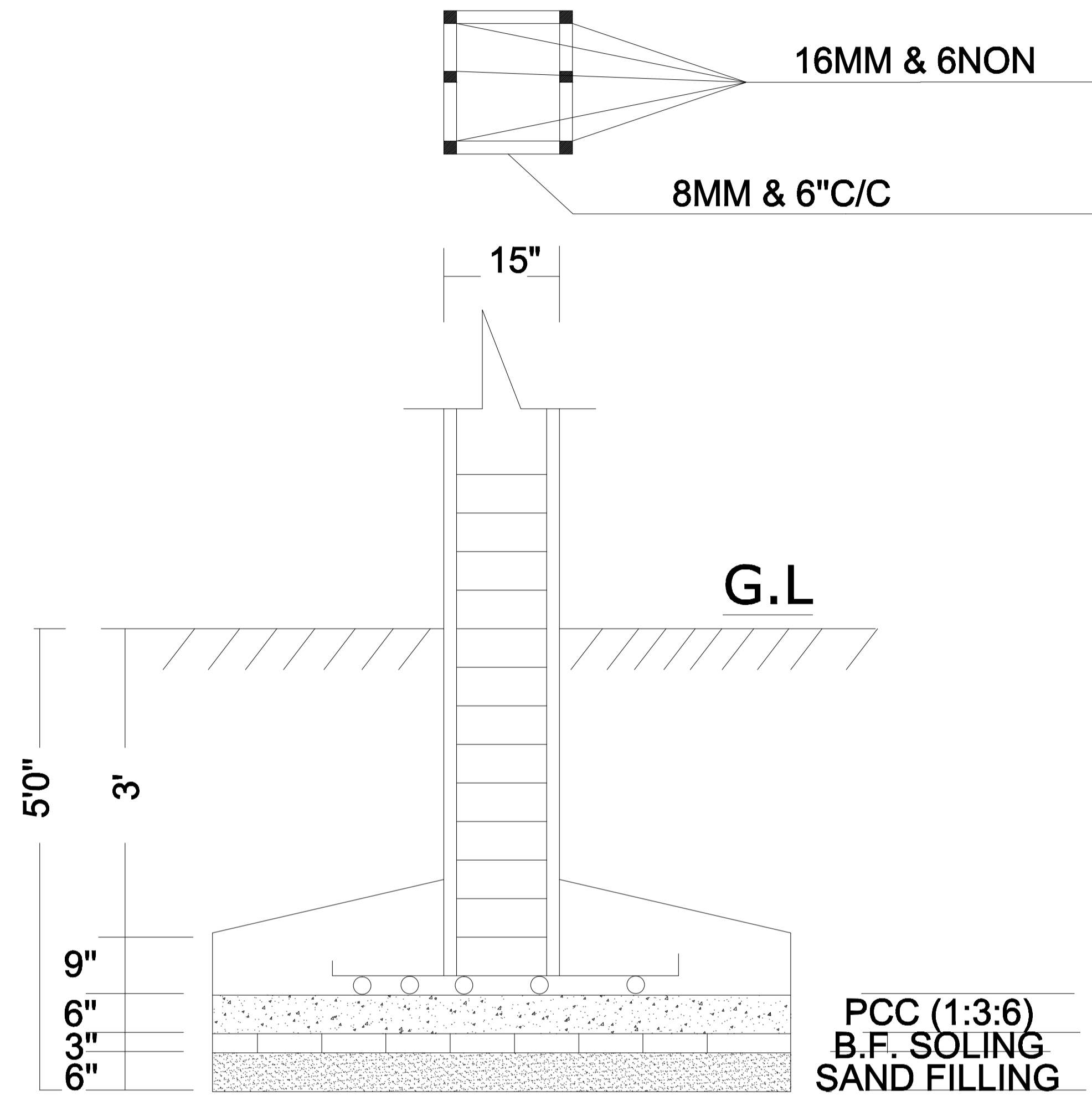
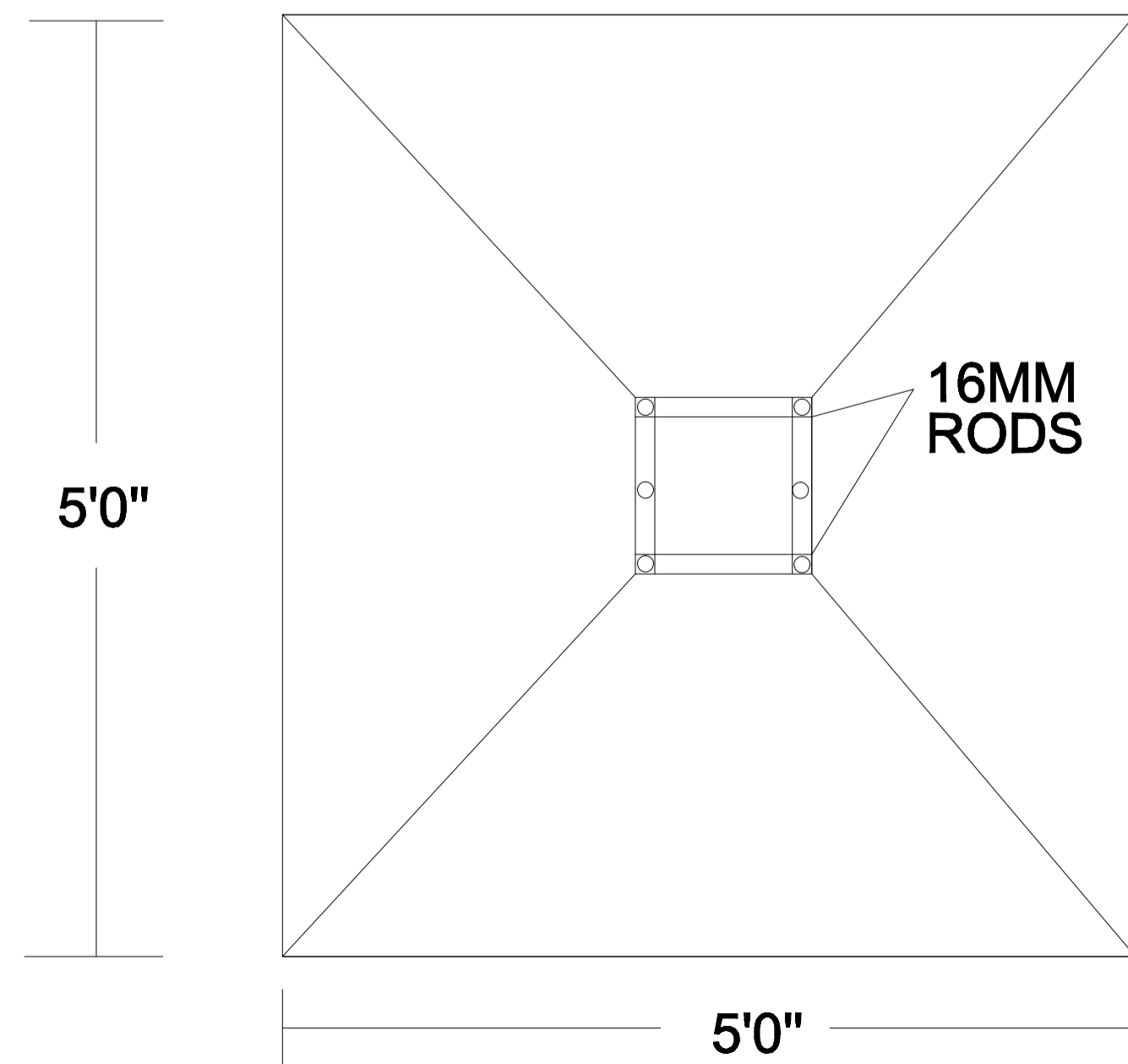


W



SECTION



PLAN ( SCALE 1"=4' )

Structure Detail