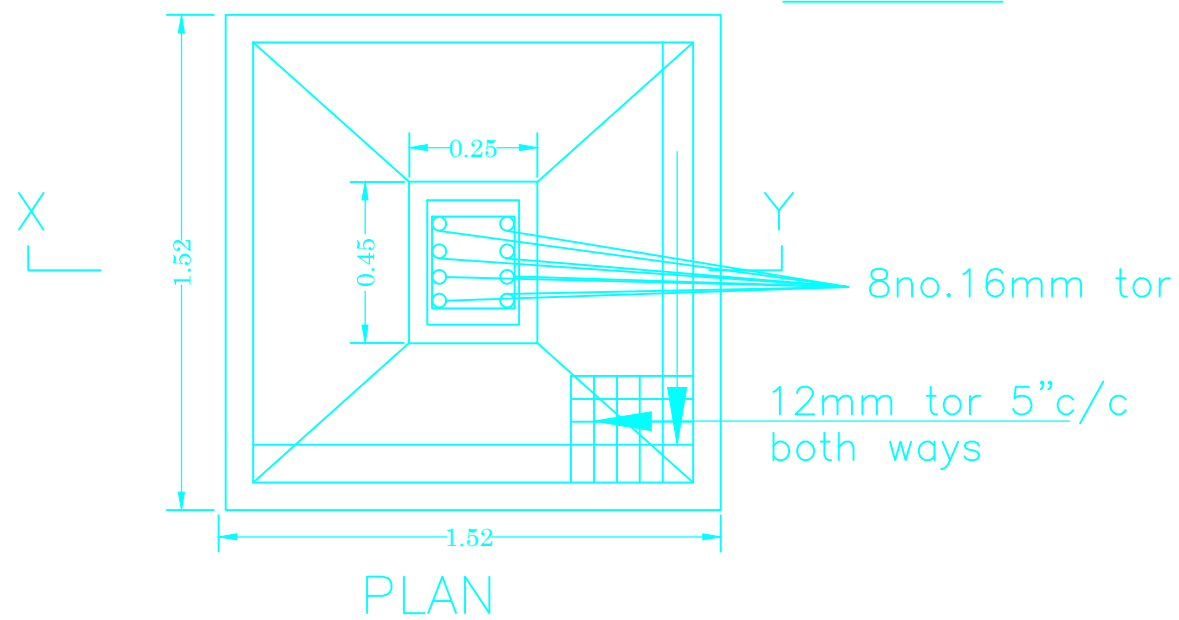
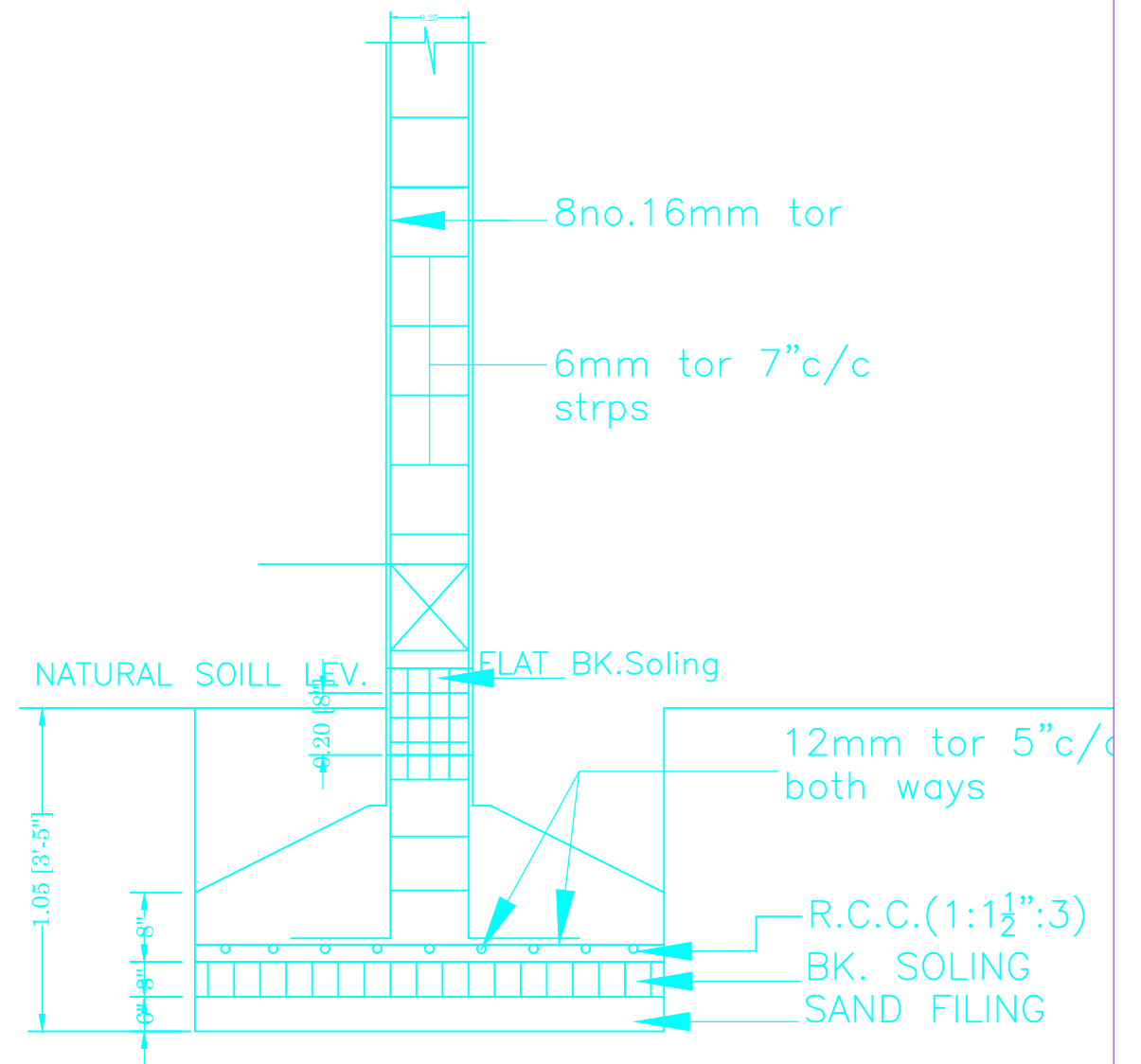


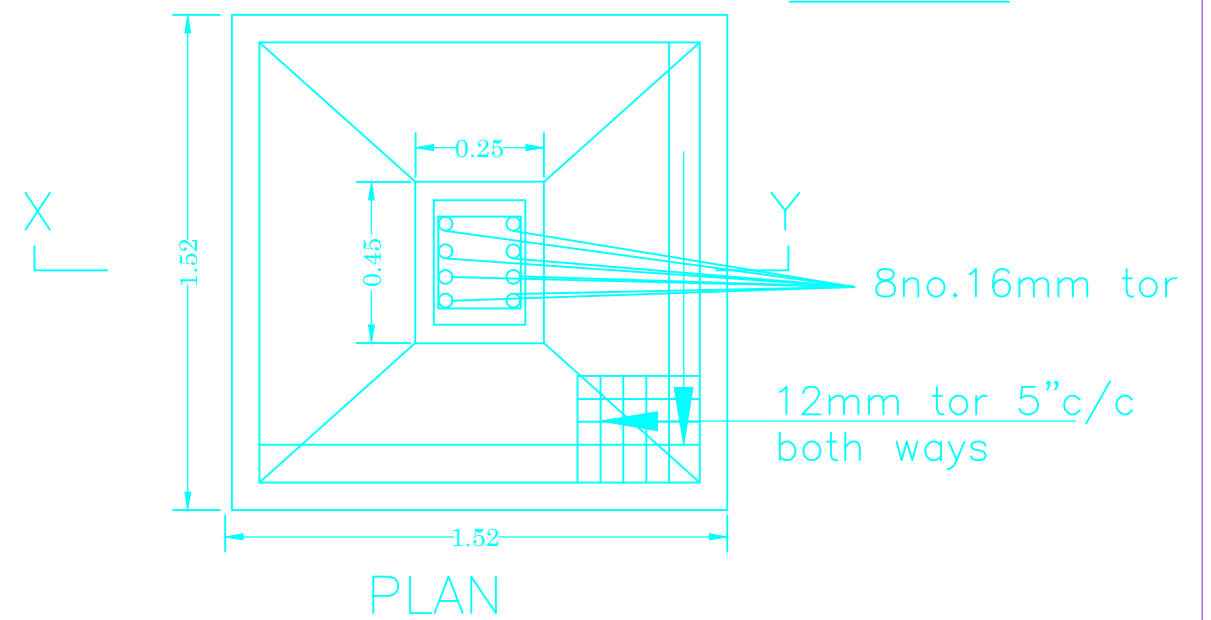
SEC. X-Y
R.C.C. COLUMN FDN.DETAIL
SCALE 1" = 2'-0"



SCALE-1":2'-0"



SEC. X-Y
R.C.C. COLUMN FDN.DETAIL
SCALE 1" = 2'-0"



SCALE-1":2'-0"