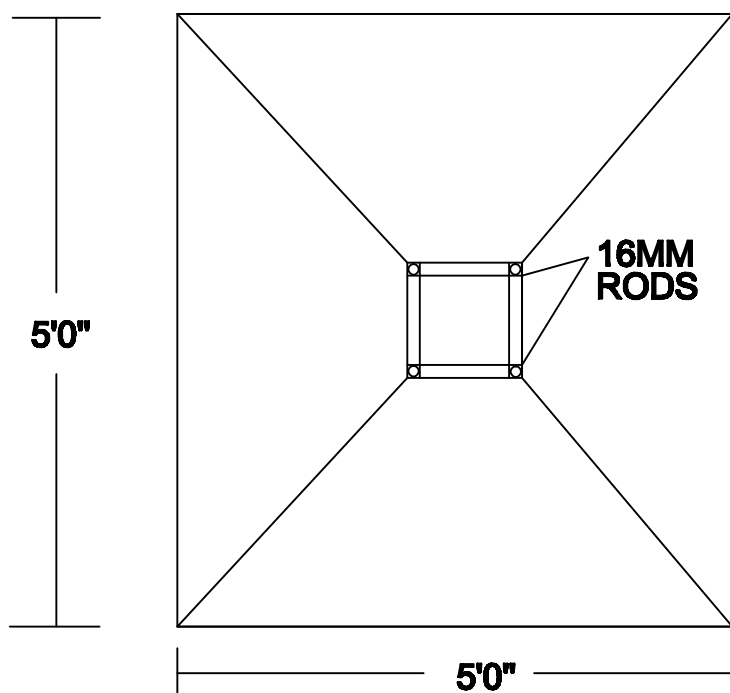


**SECTION**



Structure Detail **PLAN ( SCALE 1"=4' )**