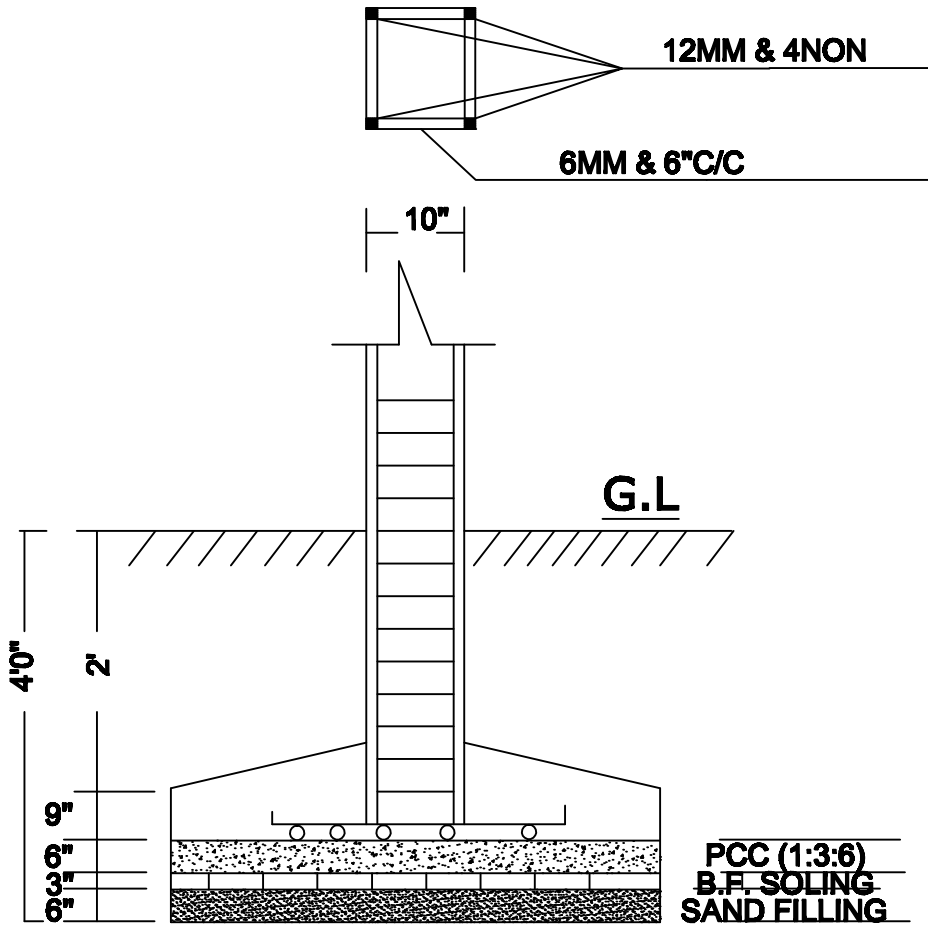
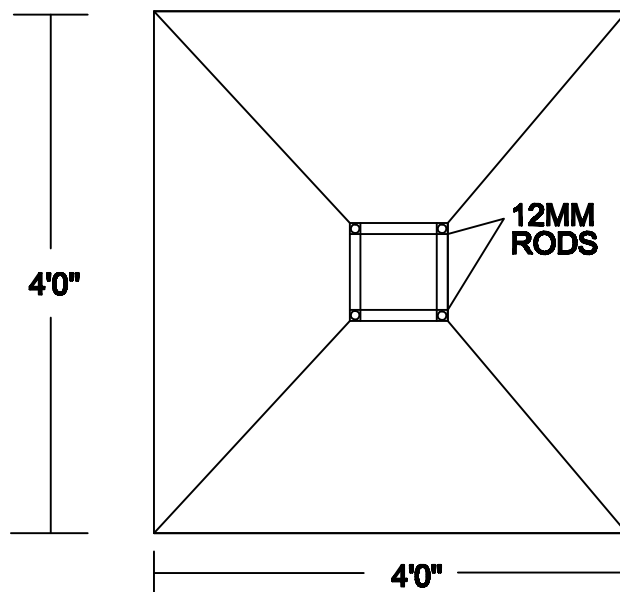


D



SECTION



PLAN (SCALE 1"=4')