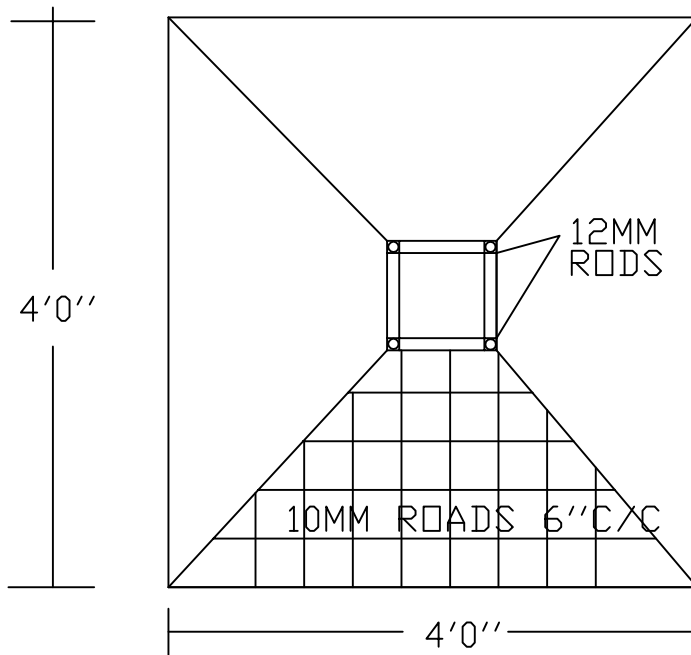


SECTION



PLAN

Structure Detail