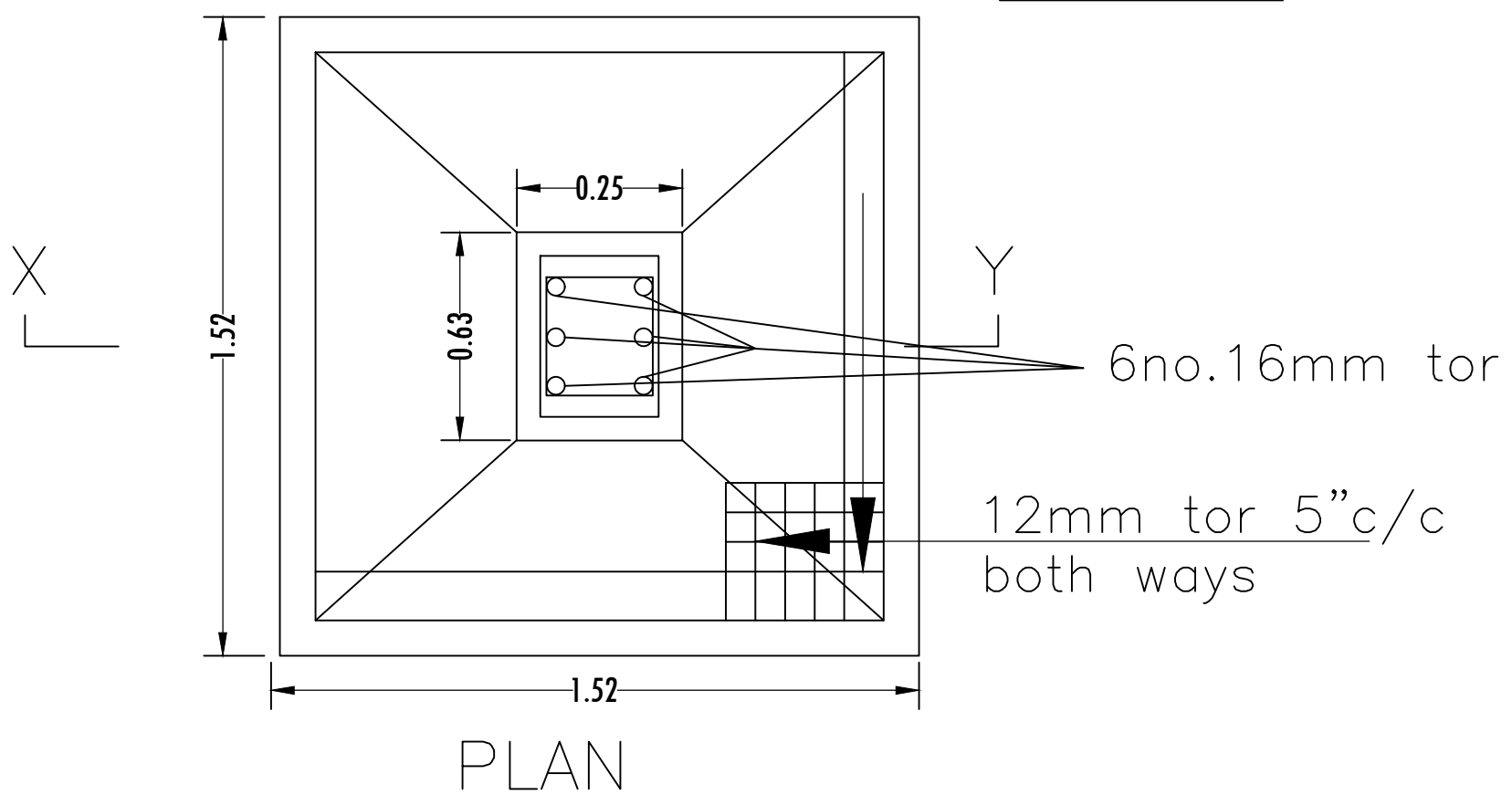


SEC. X-Y  
R.C.C. COLUMN FDN.DETAIL  
SCALE 1" = 2'-0"



PLAN

SCALE - 1":2'-0"