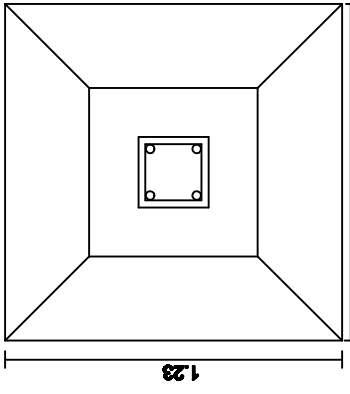


R.C.C. COLUMN E.D.N. DETAIL
SCALE 1" = 4'-0"



PLAN
SCALE 1" = 4'-0"