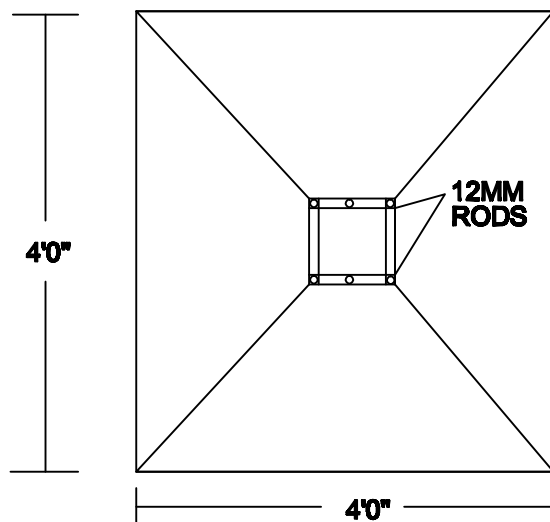


SECTION



PLAN (SCALE 1"=4')

Structure Detail

SIGN. OF ENGINEER /ARCHITECT