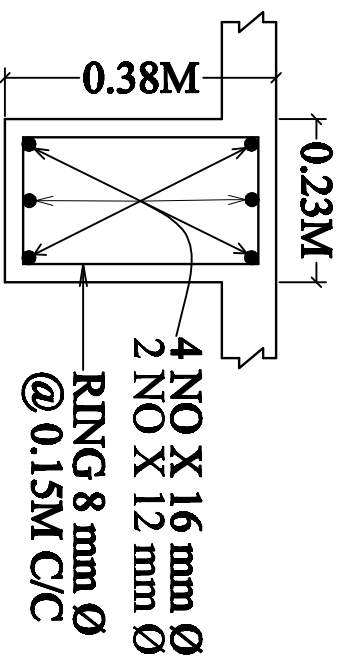
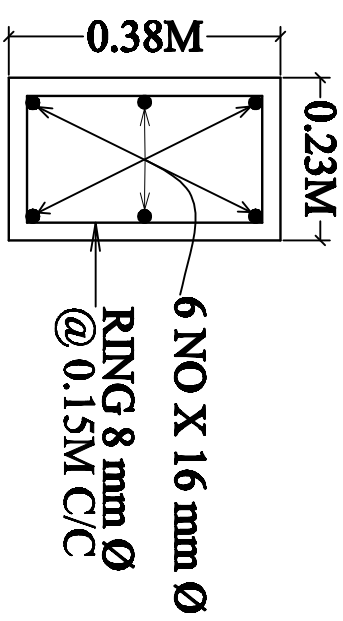


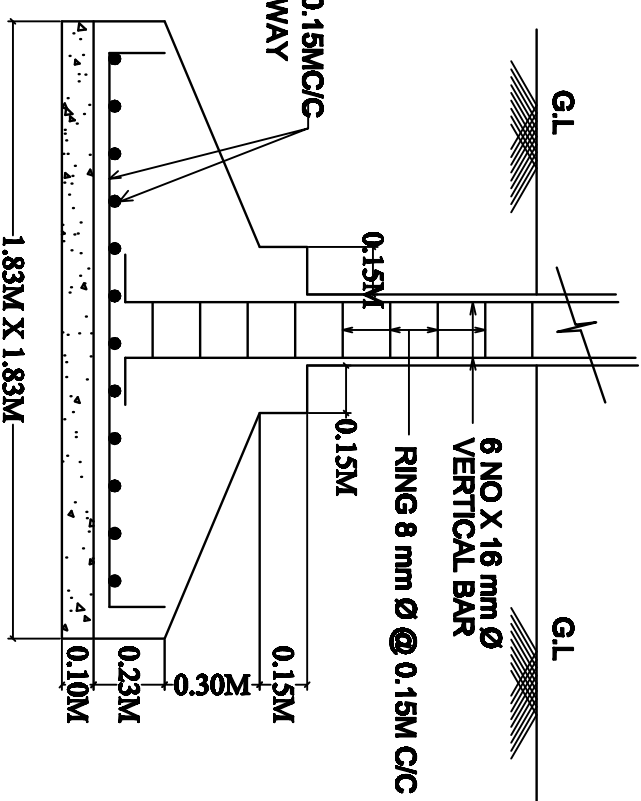
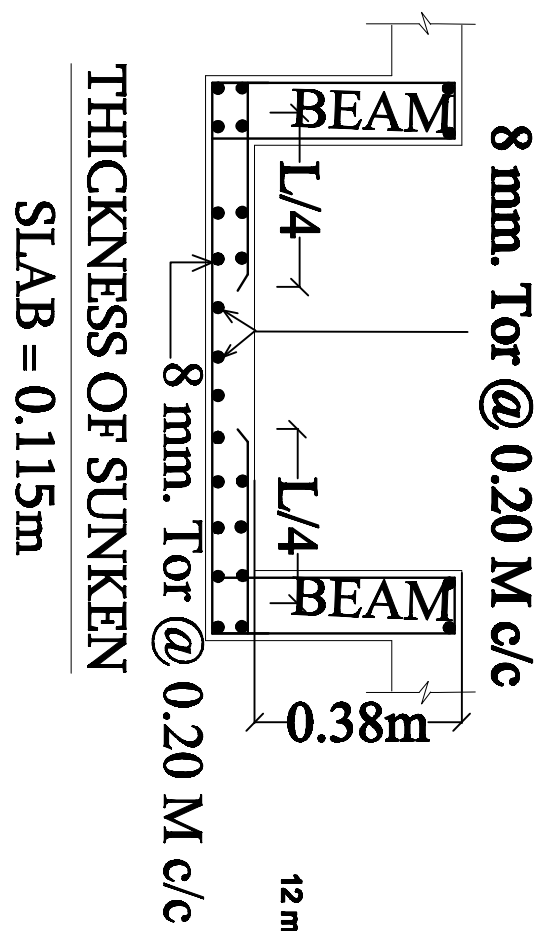
C.S. OF TYPICAL BEAM
SIZE - 0.23M X 0.30M



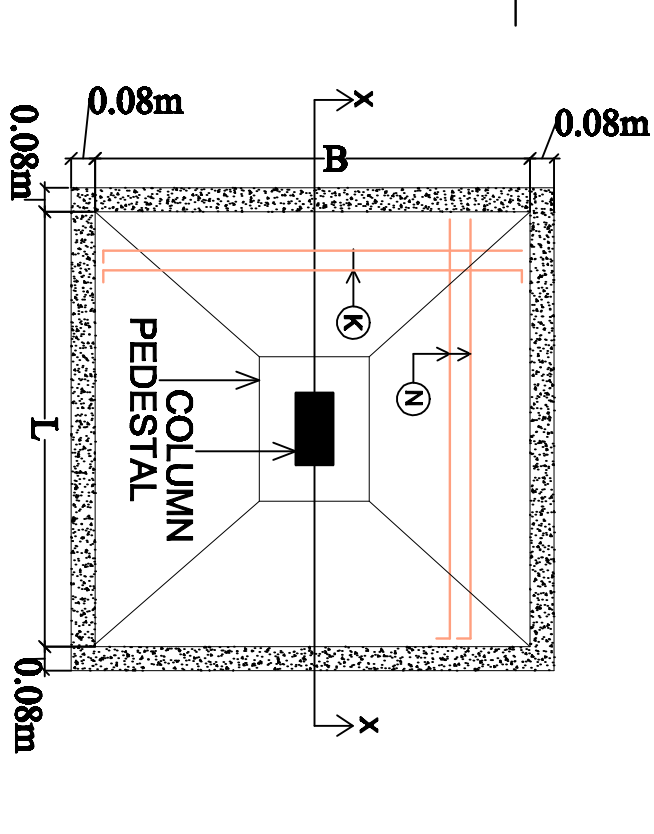
C.S. OF ROOF BEAM
SIZE - 0.23M X 0.38M



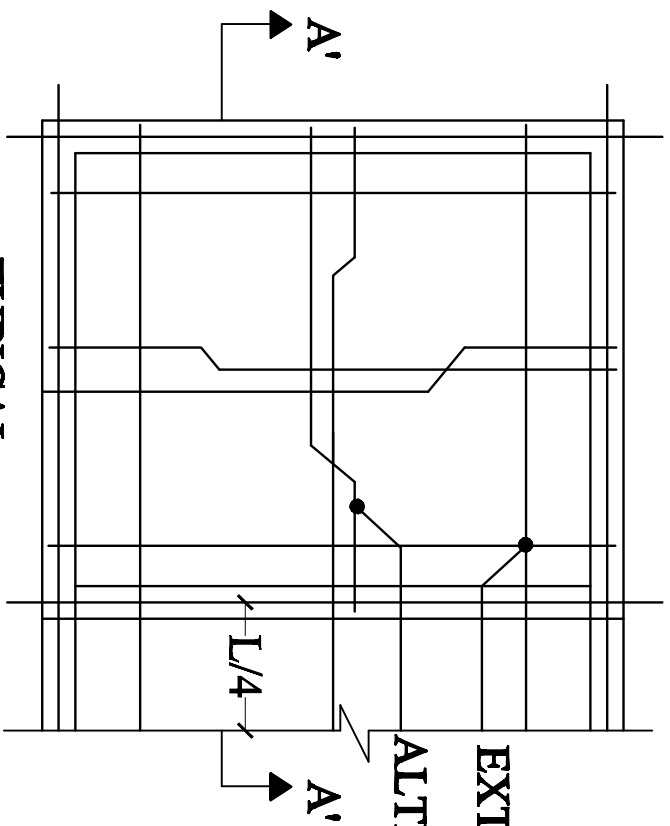
C.S. OF COLUMN.
SIZE - 0.23M X 0.38M



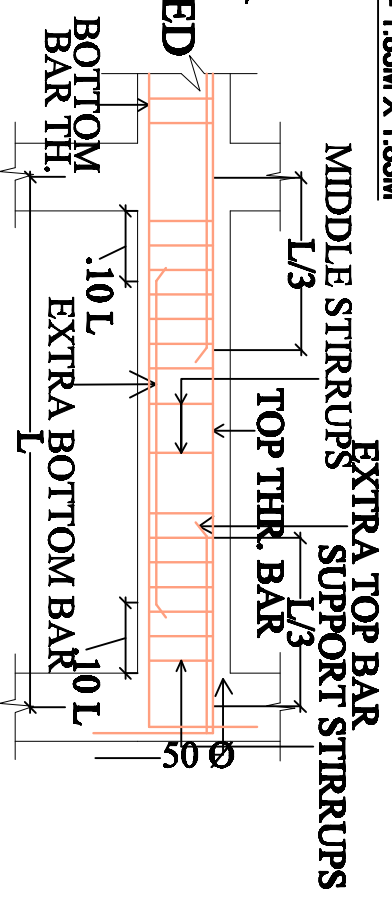
SECTION OF FOOTING.
SIZE - 1.83M X 1.83M



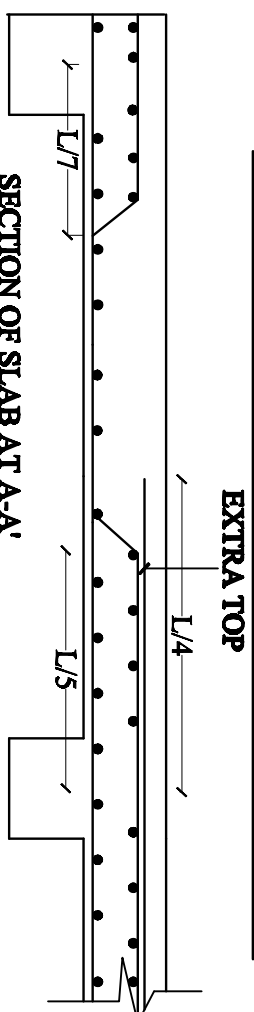
PLAN OF ISOLATED FOOTING



EXT. TOP AS BINDER
ALTERNATE CRANKED



SECTION OF TYPICAL FLOOR BEAM



Structure Detail