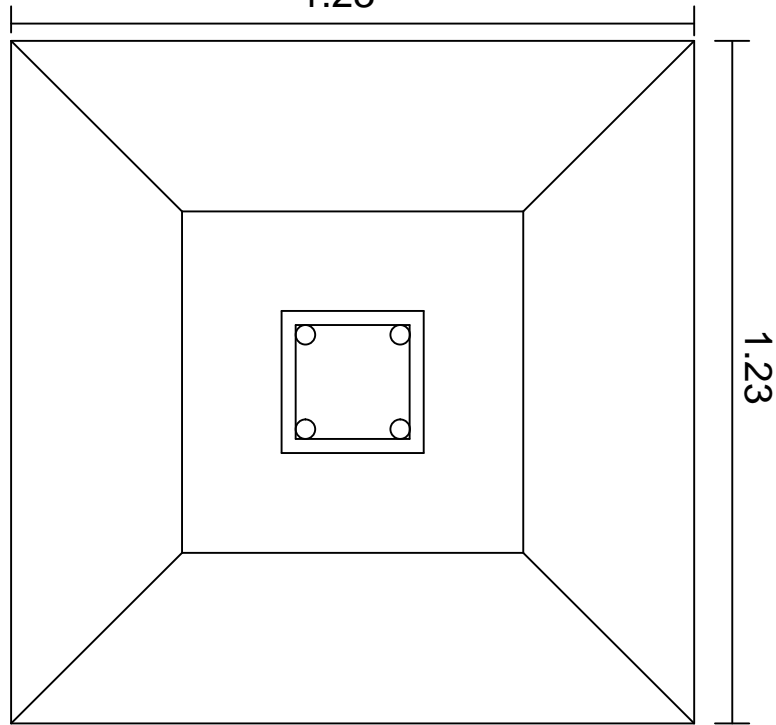


## R.C.C. COLUMN FDN.DETAIL

SCALE 1" = 4'-0"



## PLAN

SCALE 1" = 4'-0"