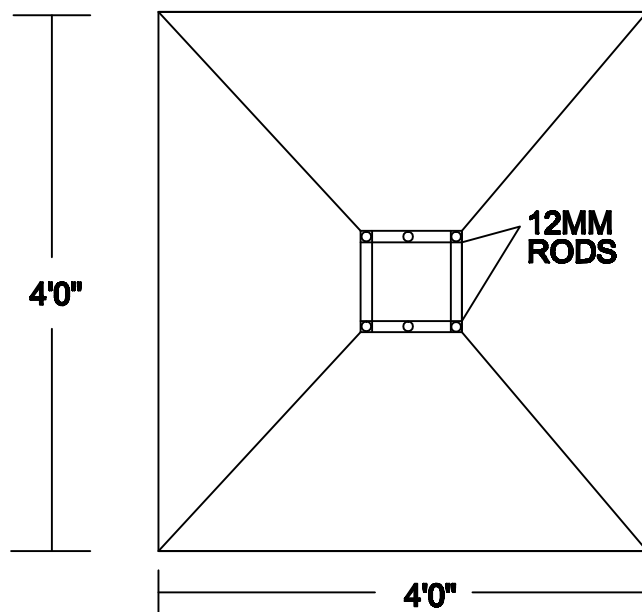


**SECTION**



**PLAN ( SCALE 1"=4' )**