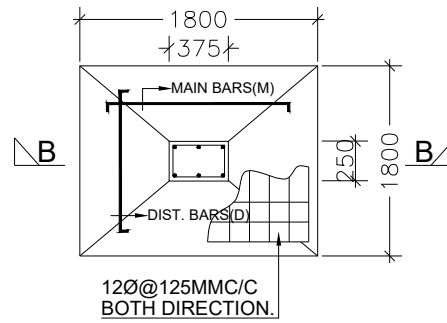


SECTION:-(B-B)



**FOUNDATION PLAN
OF CLOUMN**