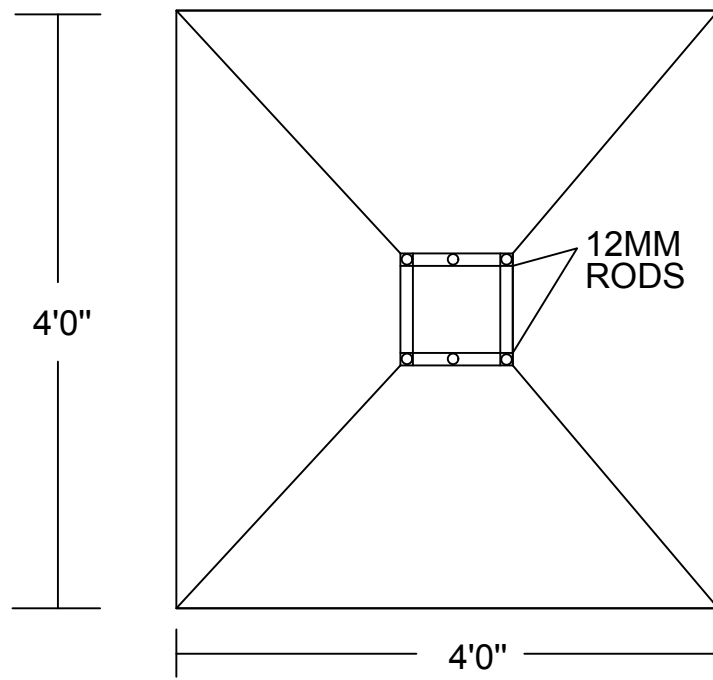


SECTION



PLAN ( SCALE 1"=4' )