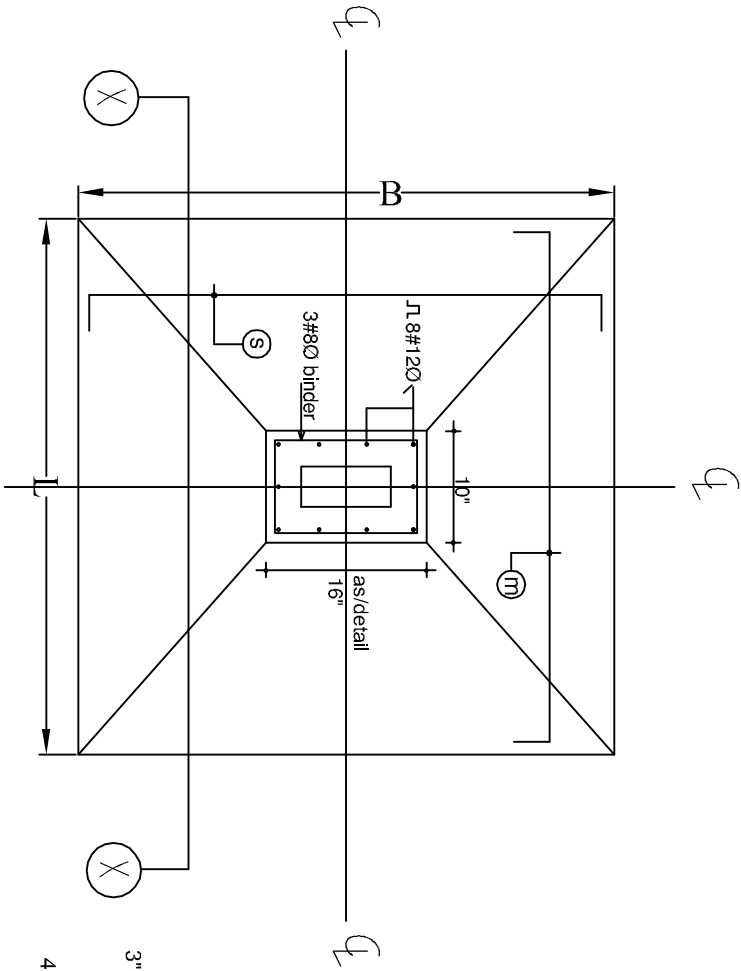
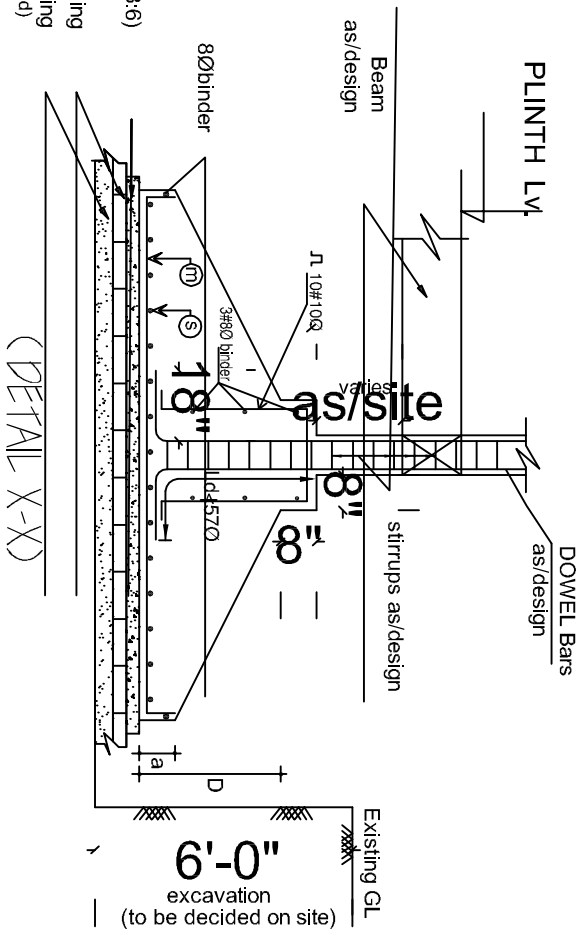


TYPICAL DETAIL OF ISOLATED FOOTING



- 3" thk PCC(1:3:6)
- 3" thk FB Soling
- 4" thk Sand filling (or as required)



(DETAIL X-X)