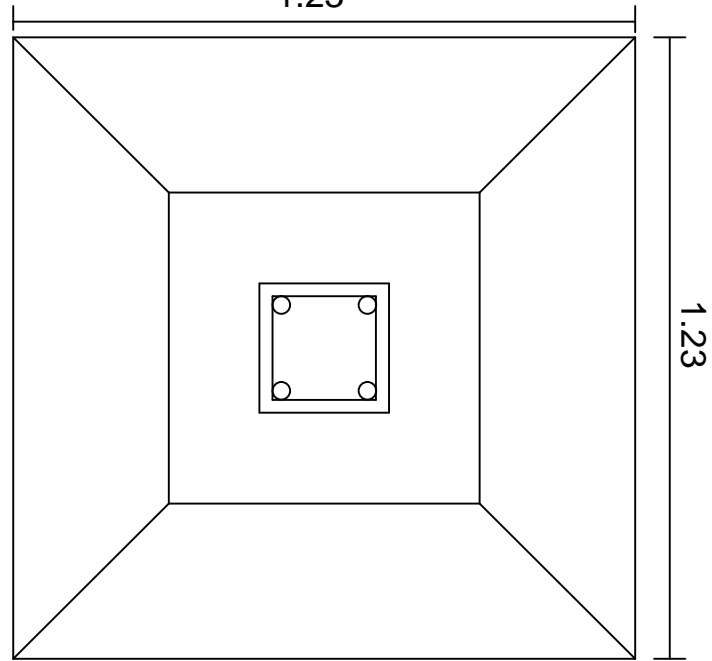


R.C.C. COLUMN

FDN.DETAIL
SCALE 1" = 4'-0"



PLAN

SCALE: - 1" 4'-0"