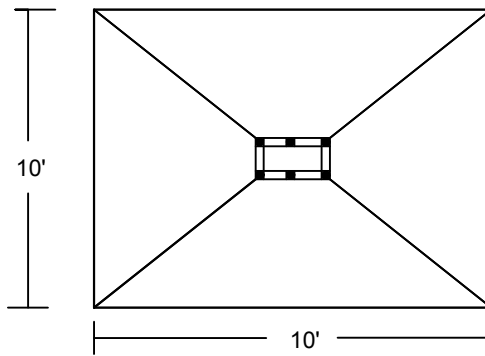
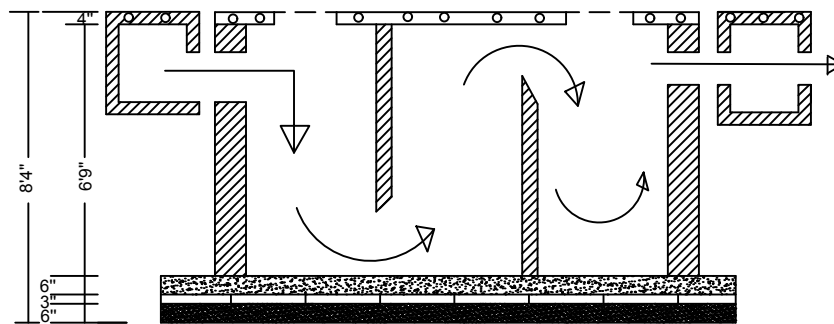


SECTION

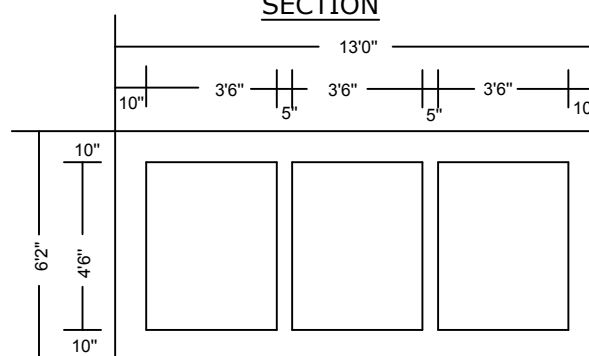


PLAN OF COLUMAN

Structure Detail



SECTION



PLAN OF SEPTIK TANK

Septic Tank Detail