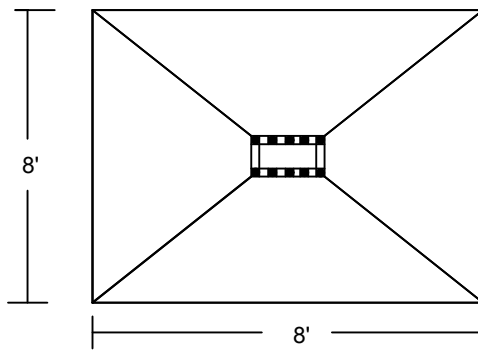
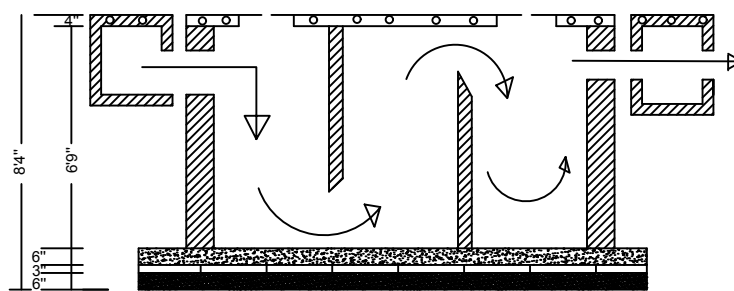


SECTION

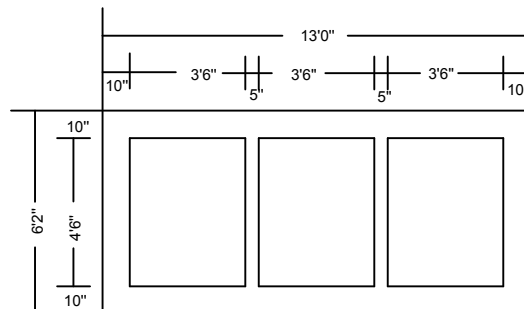


PLAN OF COLUMN

Structure Detail



SECTION



PLAN OF SEPTIK TANK

Septic Tank Detail