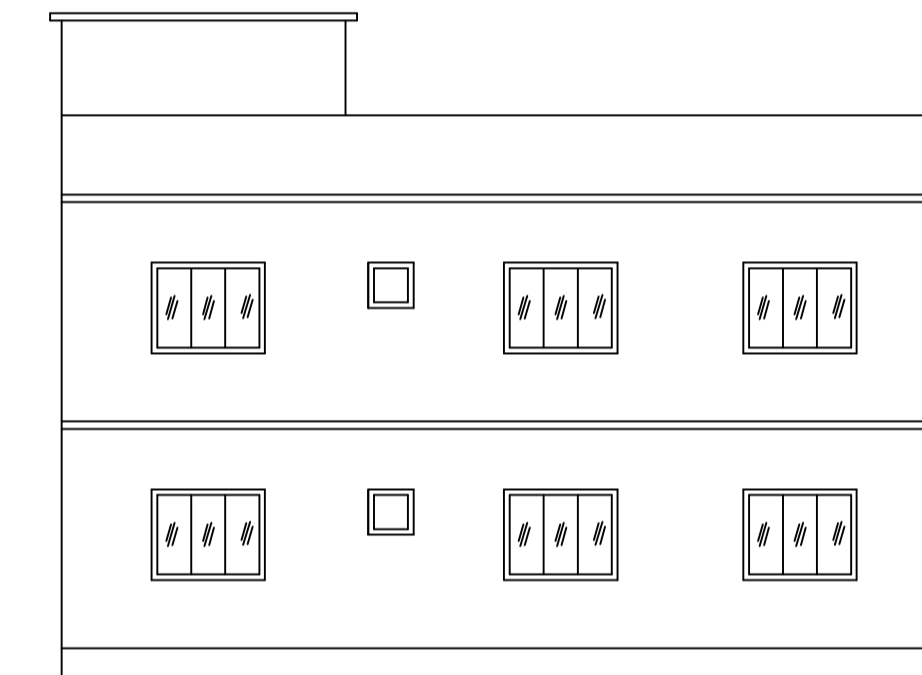
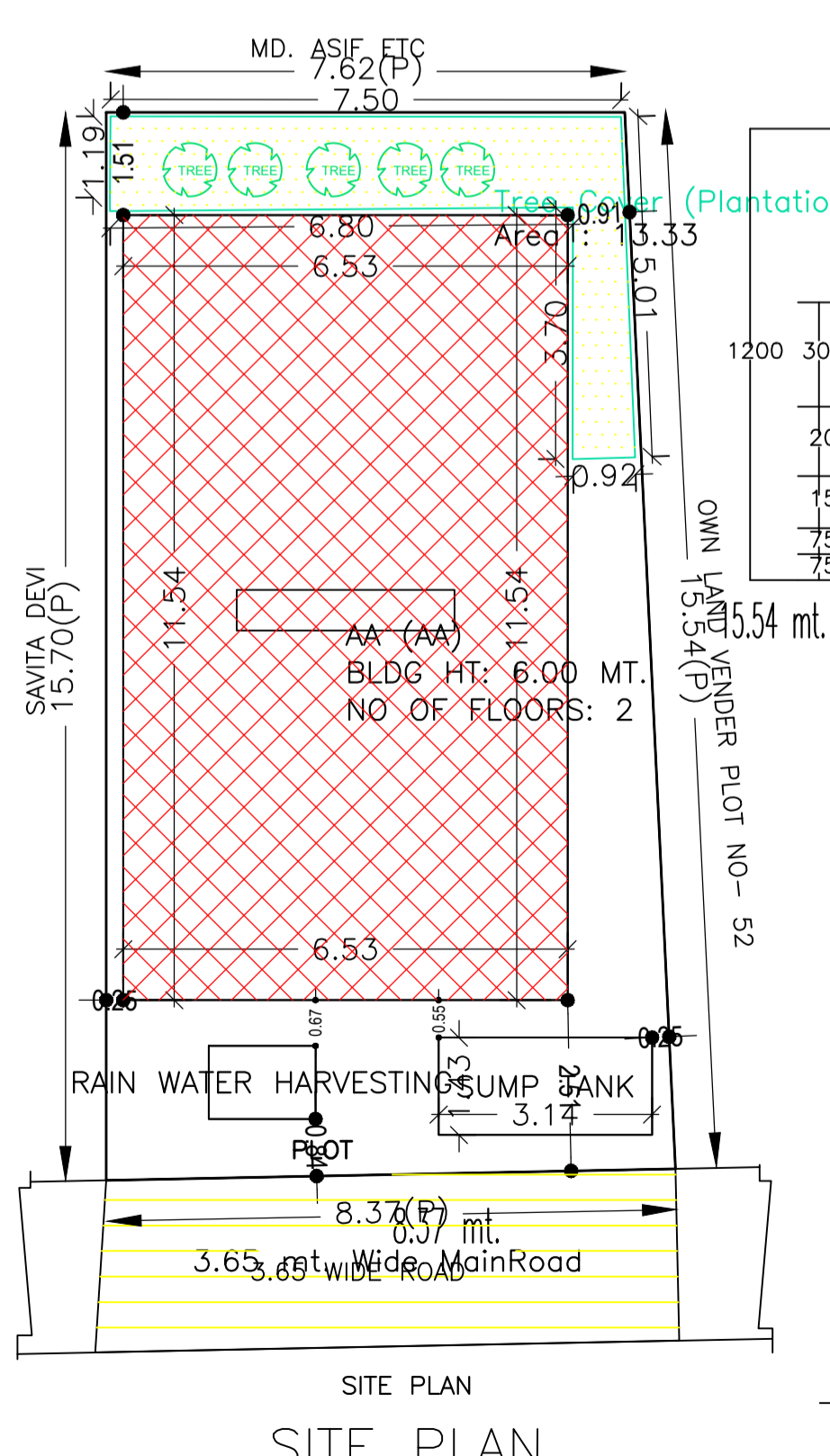


FIRST FLOOR PLAN (Proposed) (SCALE 1:100)

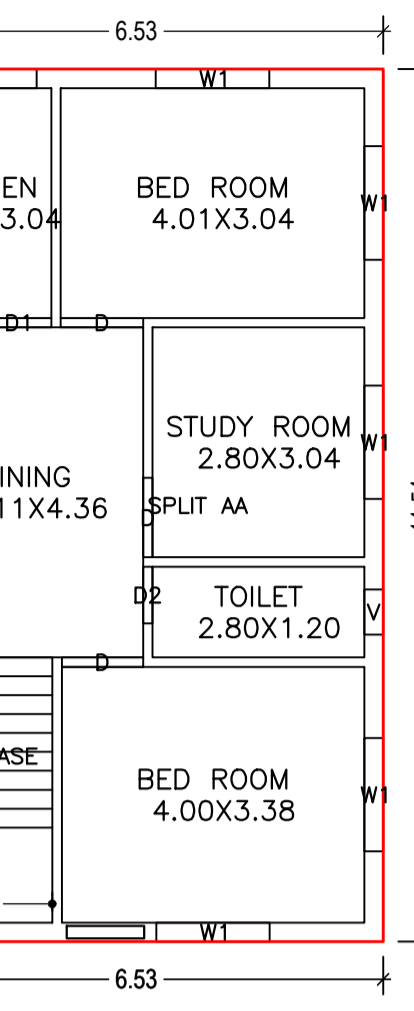


RIGHT SIDE ELEVATION

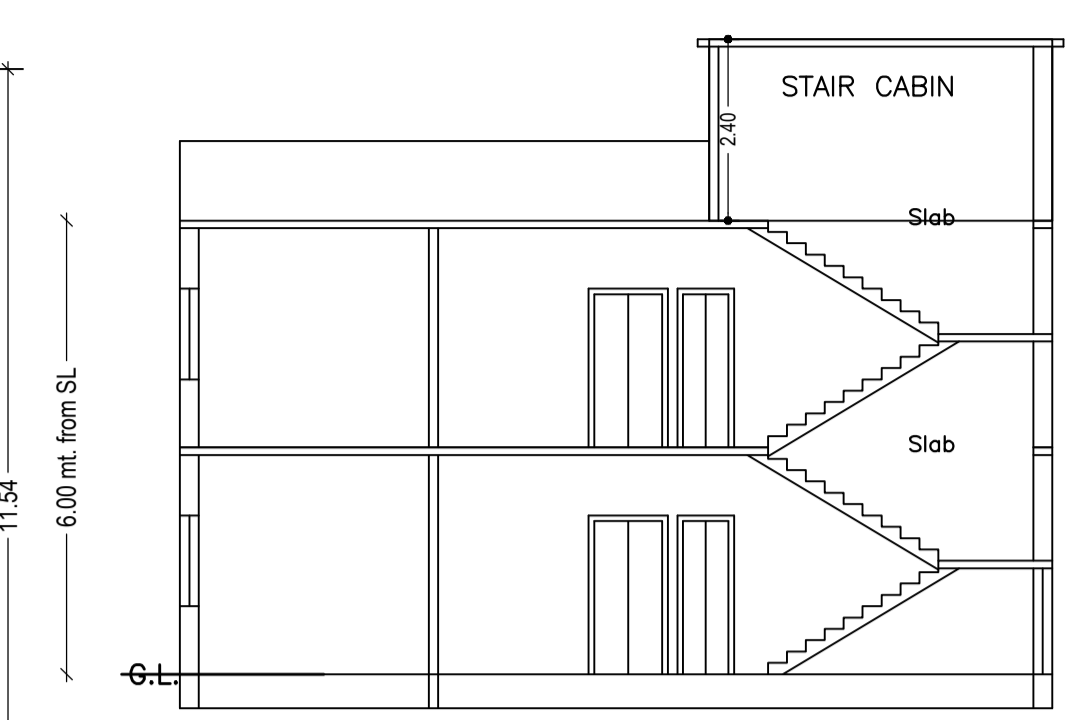


SITE PLAN

ISO_A1_(841.00_x_594.00_MM)



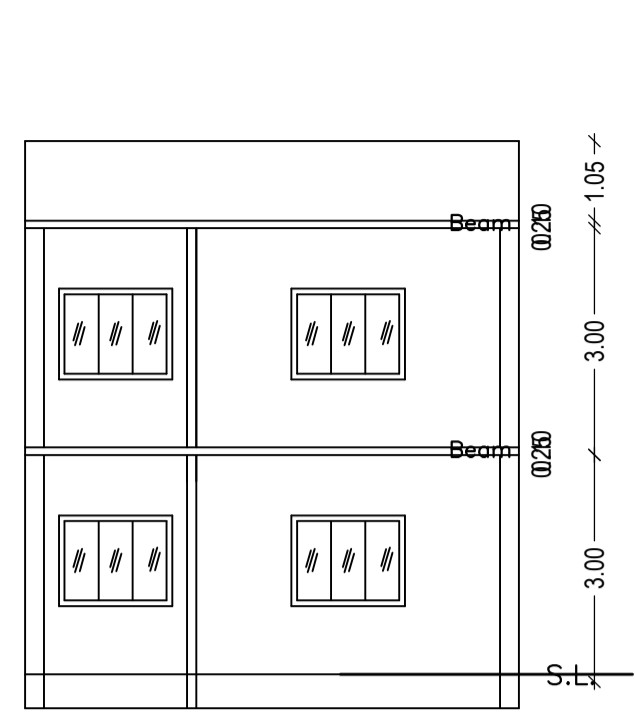
GROUND FLOOR PLAN (Proposed) (SCALE 1:100)



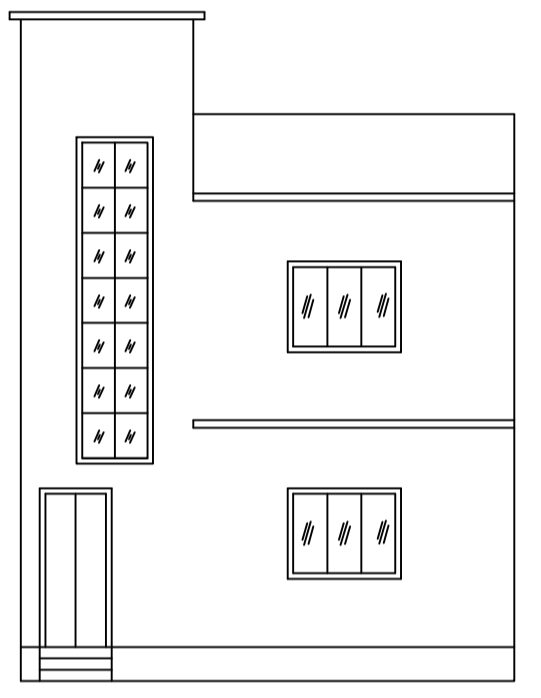
SECTION ON X-X

Building USE/SUBUSE Details

Building Name	Building Use	Building SubUse	Building Structure
AA (AA)	Residential	Bungalow/ Dwelling / Non Apartment	Non-Highrise



SECTION ON Y-Y



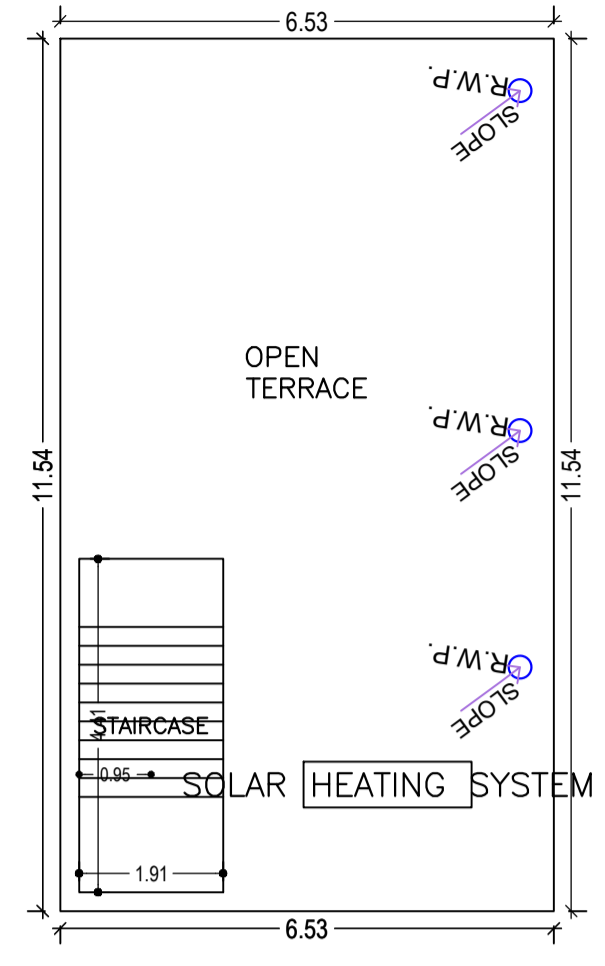
FRONT ELEVATION

COLOR INDEX

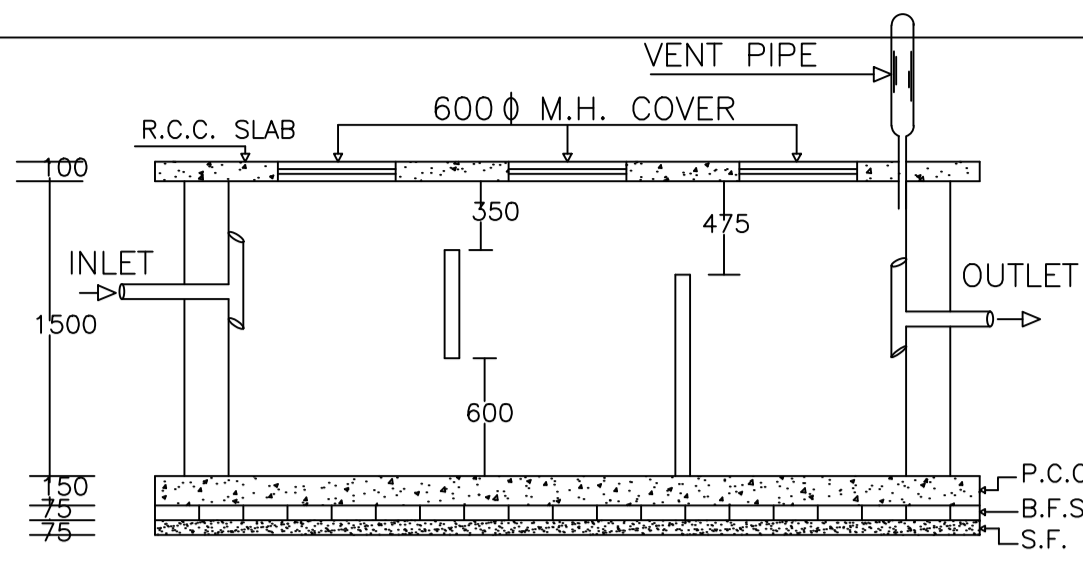
PLOT BOUNDARY	Black
ABUTTING ROAD	Green
PROPOSED CONSTRUCTION	Red
COMMON PLOT	Yellow
ROAD WIDENING AREA	Blue
EXISTING (To be retained)	Light Blue
EXISTING (To be demolished)	Light Yellow

FAR & Tenement Details (Table 4c-1)

Building	No. of Same Bldg	Total Built Up Area (Sq.mt.)	Proposed FAR Area (Sq.mt.) Resi.	Total FAR Area (Sq.mt.)	Total Consumed Additional FAR Area (Sq.mt.)	Tnmt (No.)
AA (AA)	1	150.70	150.70	150.70	150.70	01
Grand Total :	1	150.70	150.70	150.70	150.70	01



TERRACE FLOOR PLAN (SCALE 1:100)



PLAN OF SEPTIC TANK

SCHEDULE OF DOOR:

BUILDING NAME	NAME	LENGTH	HEIGHT	NOS
AA (AA)	D2	0.75	2.10	02
AA (AA)	D1	0.90	2.10	02
AA (AA)	D	1.05	2.10	02
AA (AA)	D	1.08	2.10	02
AA (AA)	D	1.09	2.10	02

SCHEDULE OF WINDOW/VENTILATION:

BUILDING NAME	NAME	LENGTH	HEIGHT	NOS
AA (AA)	V	0.60	1.20	02
AA (AA)	W2	0.90	1.20	01
AA (AA)	W1	1.50	1.20	12
AA (AA)	W	2.10	1.20	02

Buildingwise Floor FAR Details

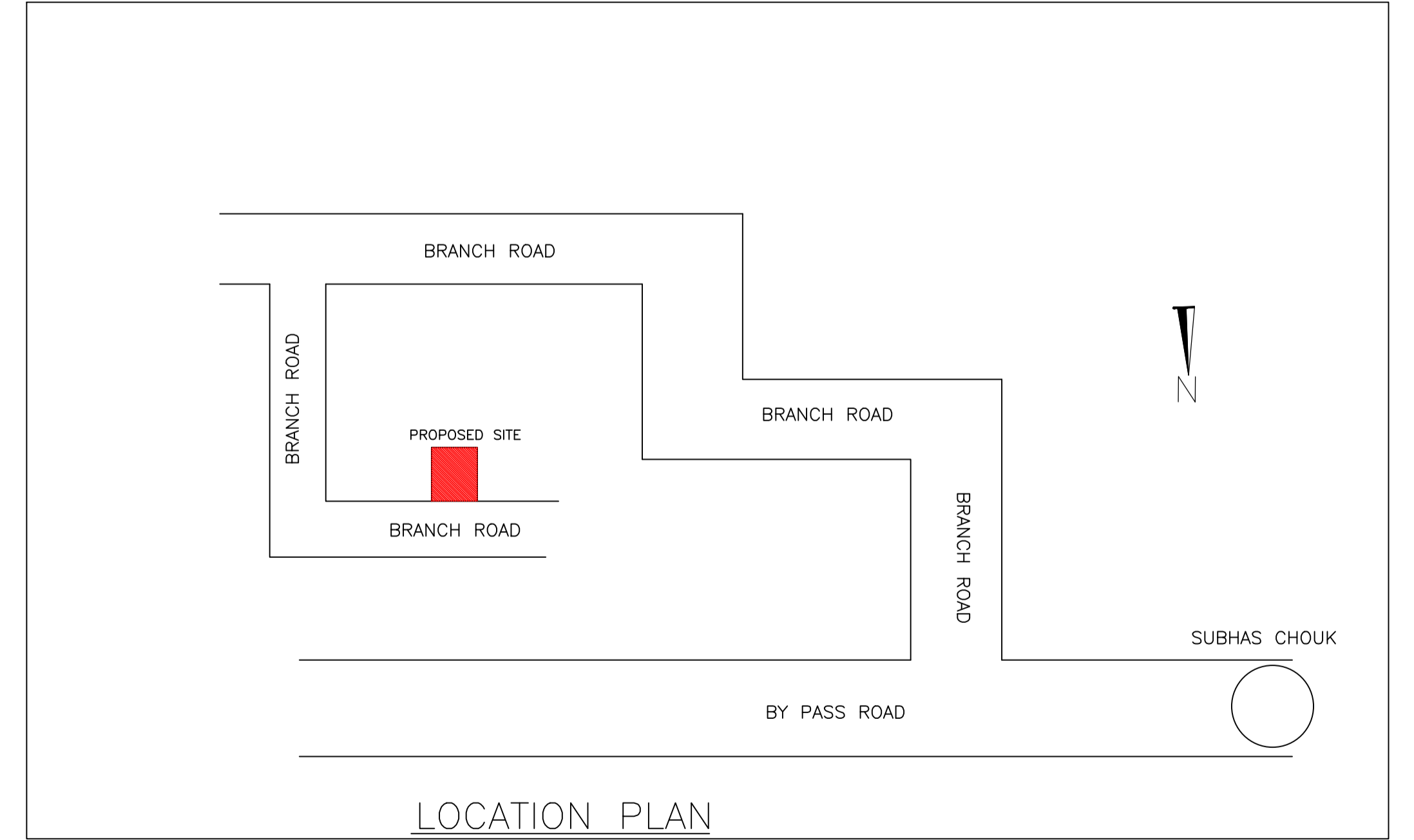
Floor Name	Building Name AA (AA)		Total	
	Proposed Built Up Area (Sq.mt.)	Proposed FAR Area (Sq.mt.)	Total Proposed Built Up Area (Sq.mt.)	Total FAR Area (Sq.mt.)
Ground Floor	75.35	75.35	75.35	75.35
First Floor	75.35	75.35	75.35	75.35
Terrace Floor	0.00	0.00	0.00	0.00
Total :	150.70	150.70	150.70	150.70

UnitBUA Table for Building :AA (AA)

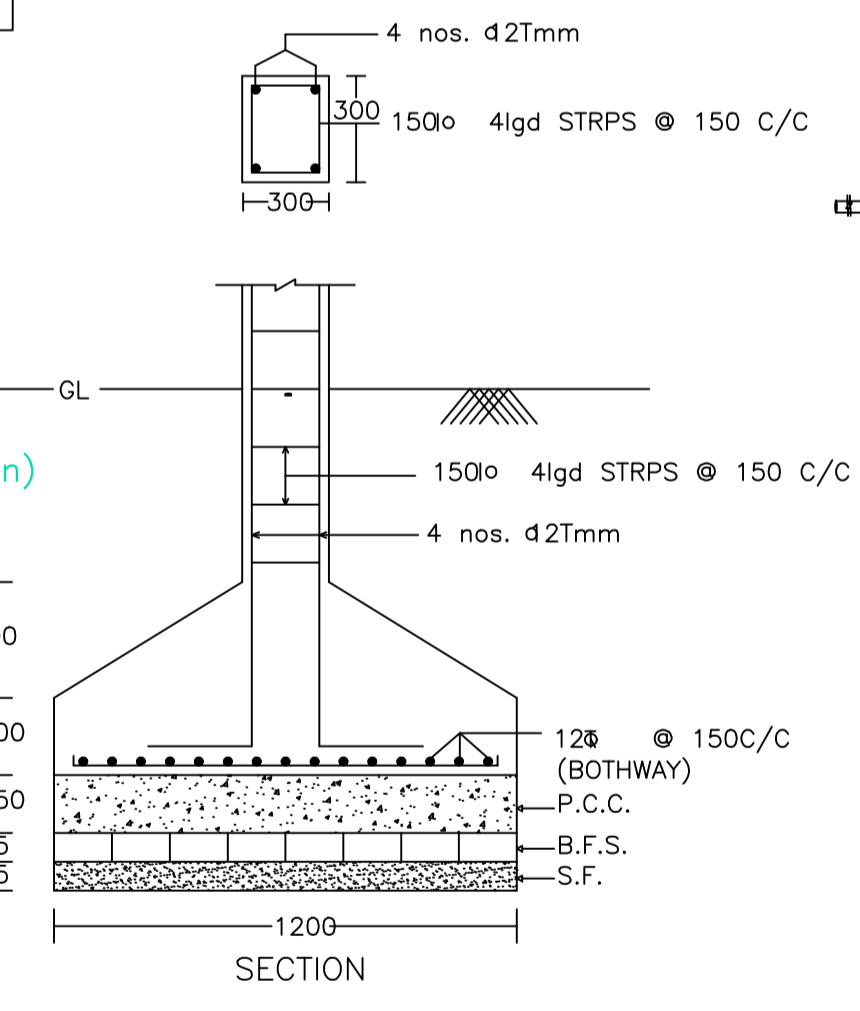
FLOOR	Name	UnitBUA Type	UnitBUA Area	Carpet Area	No. of Rooms	No. of Tenement
GROUND FLOOR PLAN	SPLIT AA	FLAT	150.69	150.35	6	1
FIRST FLOOR PLAN	SPLIT AA	FLAT	0.00	0.00	6	0
Total :	-	-	150.69	150.35	12	1

Building :AA (AA)

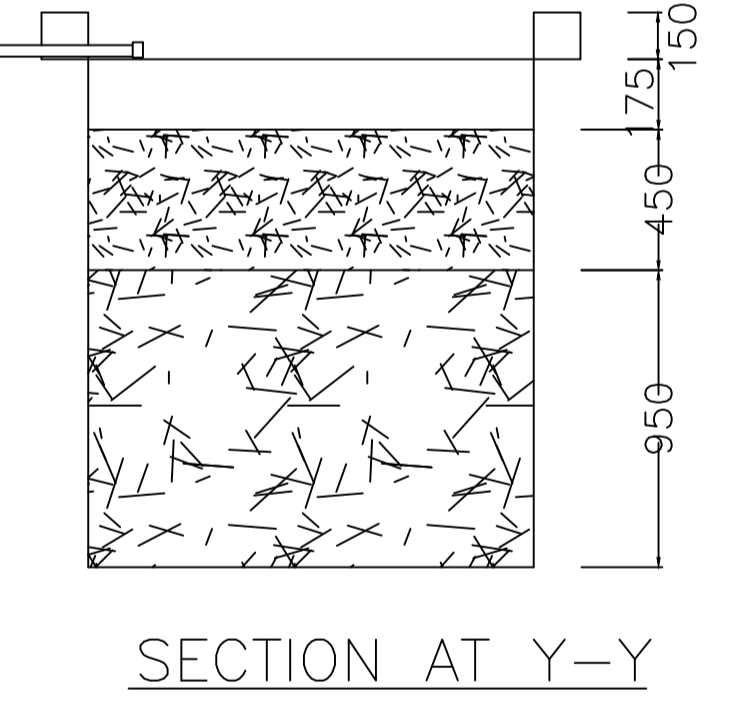
Floor Name	Total Built Up Area (Sq.mt.)	Proposed FAR Area (Sq.mt.) Resi.	Total FAR Area (Sq.mt.)	Total Consumed Additional FAR Area (Sq.mt.)	Tnmt (No.)
Ground Floor	75.35	75.35	75.35	75.35	01
First Floor	75.35	75.35	75.35	75.35	00
Terrace Floor	0.00	0.00	0.00	0.00	00
Total :	150.70	150.70	150.70	150.70	01



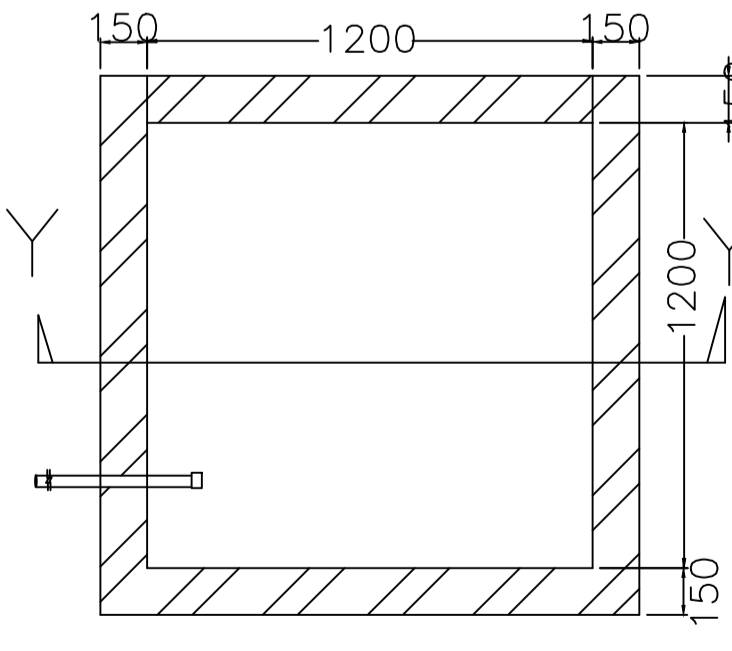
LOCATION PLAN



DETAIL OF COLUMNS



SECTION AT Y-Y



PLAN OF RECHARGE WELL

WATER HARVESTING

Proposal Basic Information

Proposal File No.	JNP/IB/0131/W07/2023
Owner Name	ALKA RAJ
Khata No	8
Plot No	52
Village Name	Jhalpo
Use	Residential
SubUse	Bungalow/ Dwelling / Non Apartment

AREA STATEMENT	VERSION NO.:	SQ.MT.
JHUMRITILAIYA NAGAR PARISHAD	1.0.67	124.81
PROJECT DETAIL:	VERSION DATE: 16/10/2020	
Region: JHARKHAND URBAN LOCAL BODIES	Plot Use: Residential	
District: KODERMA	Plot SubUse: Bungalow/ Dwelling / Non Apartment	
Authority: JHUMRITILAIYA NAGAR PARISHAD	Plot/Nearby/Religious/Structure: NA	
Inward No.: JNP/IB/0131/W07/2023	Plot/SubPlot No: 52	
Application Type: General Proposal	North: Road Width - 3.65 WIDE ROAD	
Project Type: Building Permission	South: Plot No. - MD. ASIF ETC	
Nature of Development: New	East: Plot No. - SAVITA DEVI	
Location of Development Area: Old Area	West: Plot No. - OWN LAND VENDER PLOT NO-52	
AREA DETAILS:		
AREA OF PLOT (Minimum)	(A)	124.81
NET AREA OF PLOT(Gross Plot Area - Deduction from Gross Plot area)	(A-Deductions)	124.81
Deduction for Balance Plot Area(from Gross Plot Area)		
Common Plot		13.33
Total		13.33
BALANCE AREA OF PLOT(Net Plot Area - Recreational/Amenity space)	(A-Deductions)	111.48
PLOT AREA FOR COVERAGE(Net Plot Area)	(A-Deductions)	124.81
Plot Area for FAR (Net Plot Area + RoadWidening Area)	(A-Deductions)	124.81
COVERAGE CHECK		
Permissible Coverage area (70.00 %)		87.37
Proposed Coverage Area (60.37 %)		75.35
Total Prop. Coverage Area (60.37 %)		75.35
Balance coverage area (9.63 %)		12.02
FAR CHECK		
Perm. FAR Area (1.500)		187.21
Total Perm. FAR area		187.21
Residential FAR		150.69
Proposed FAR Area		150.69
Total Proposed FAR Area		150.69
Consumed FAR (Factor)		1.21
Balance FAR Area		36.52
BUILT UP AREA CHECK		
Total Proposed BuiltUp Area		150.70
ARCHITECT (Regd)		DEEPAK KUMAR SINHA
ENGINEER (Regd)		
SUPERVISOR (Regd)		
OWNER (Regd)		ALKA RAJ
DEVELOPMENT AUTHORITY		LOCAL BODY

LTP NAME AND SIGNATURE	STRUCTURAL ENG'S NAME AND SIGNATURE	BUILDER NAME AND SIGNATURE	DIGITAL SIGNATURE
DEEPAK KUMAR SINHA JNP/ENG/0005/2023			