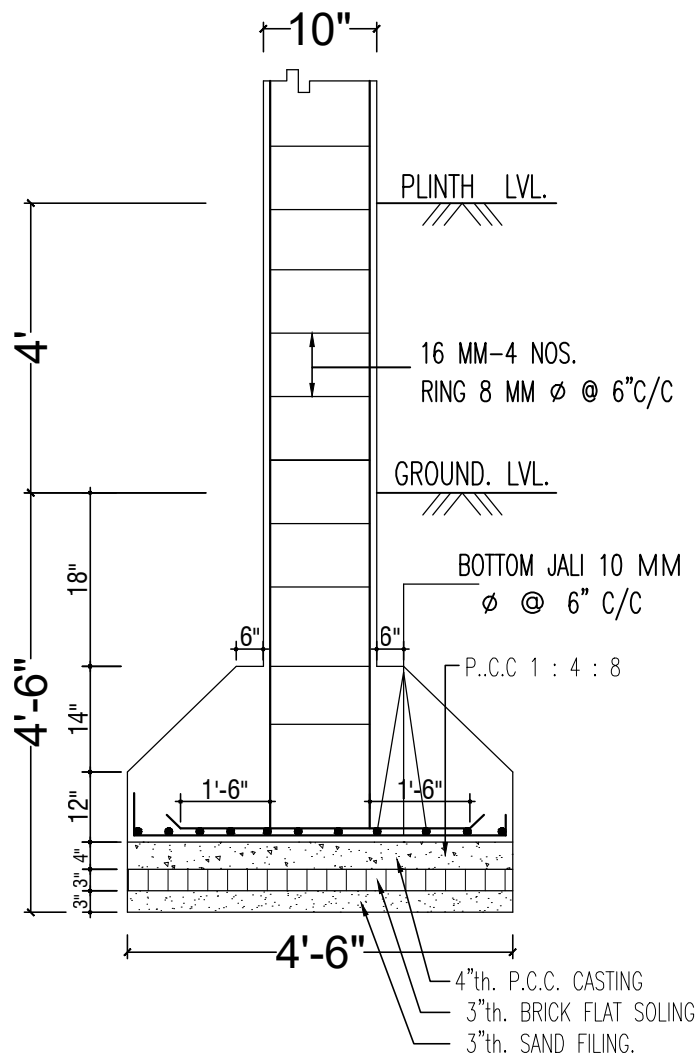


**PLAN OF COLUMN FOUNDATION**

SCALE= 1:50



**SECTION ON A-A**

SCALE= 1:50