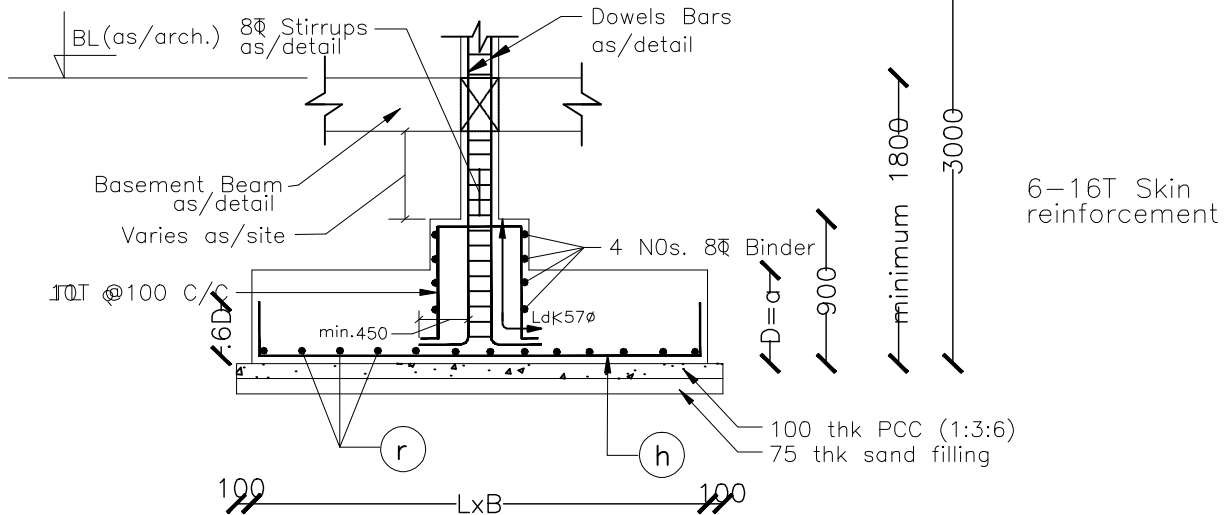


TYP DETAIL OF FOOTING

EXIST. G.L.



Structure Detail

SECTION X-X