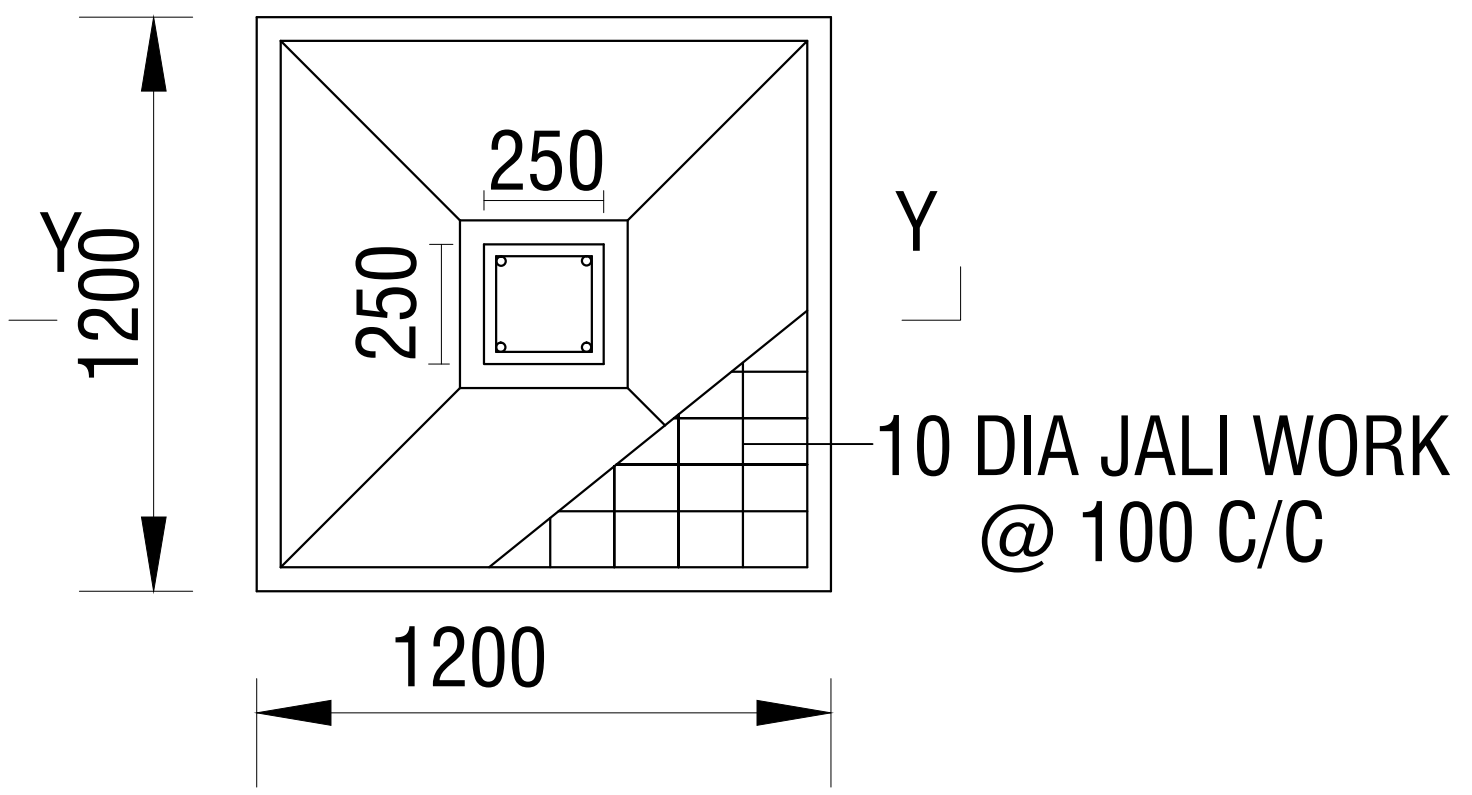


SECTION Y-Y



DETAIL OF FOUNDATION