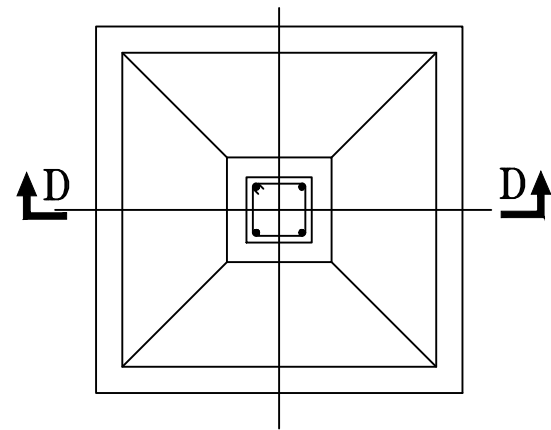
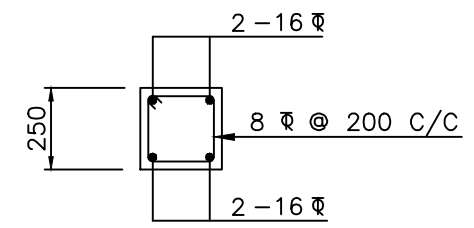


**SECTION D-D**  
SCALE 1:25



**DETAILS OF FOUNDATION**  
SCALE 1:25



**SECTION E-E**  
SCALE 1:25