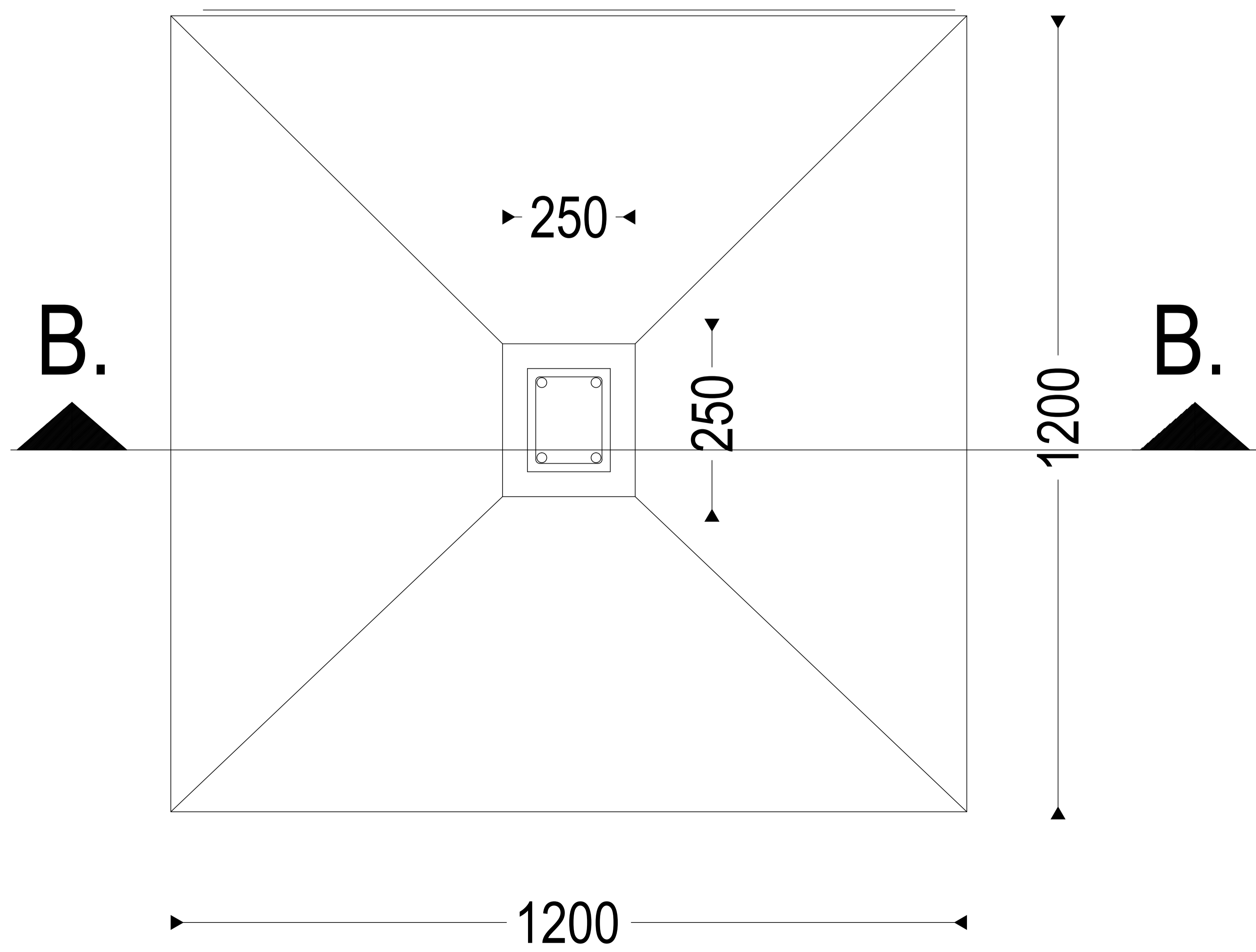


**SECTION B-B**



**DETAIL OF FOUNDATION**