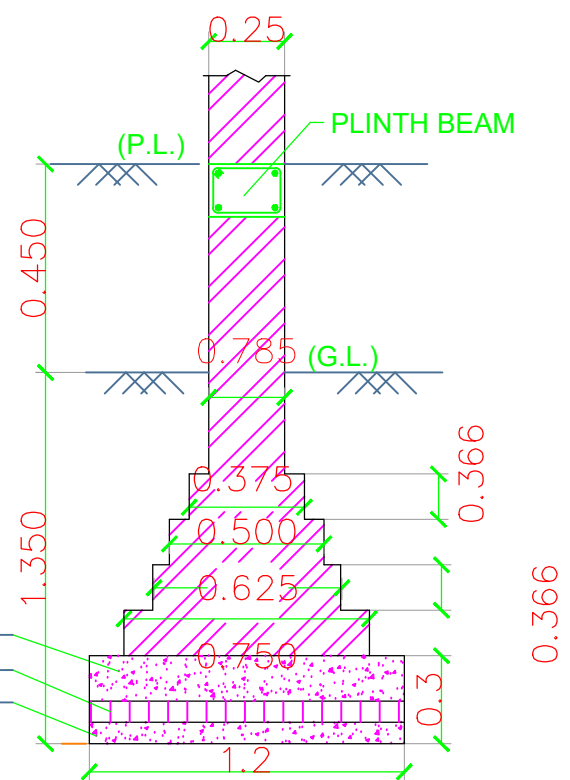
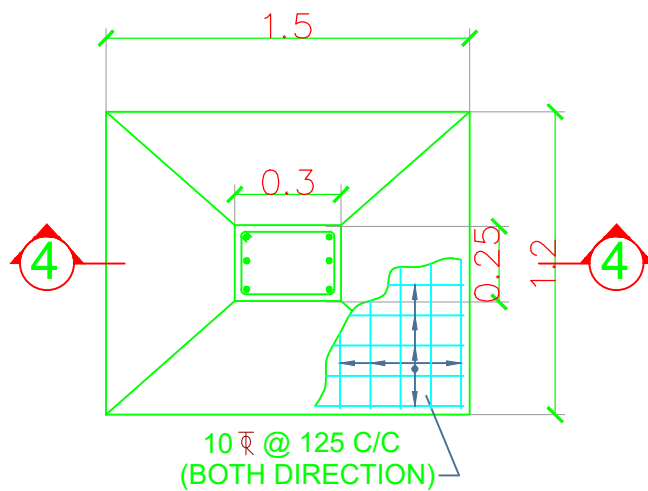


DET. OF FOUND.



DET. OF WALL FOUND.



**FOUNDATION PLAN
OF COLUMN**