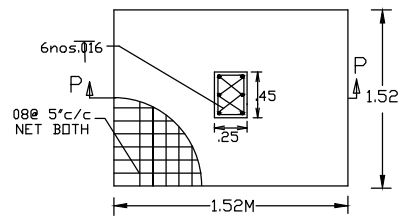


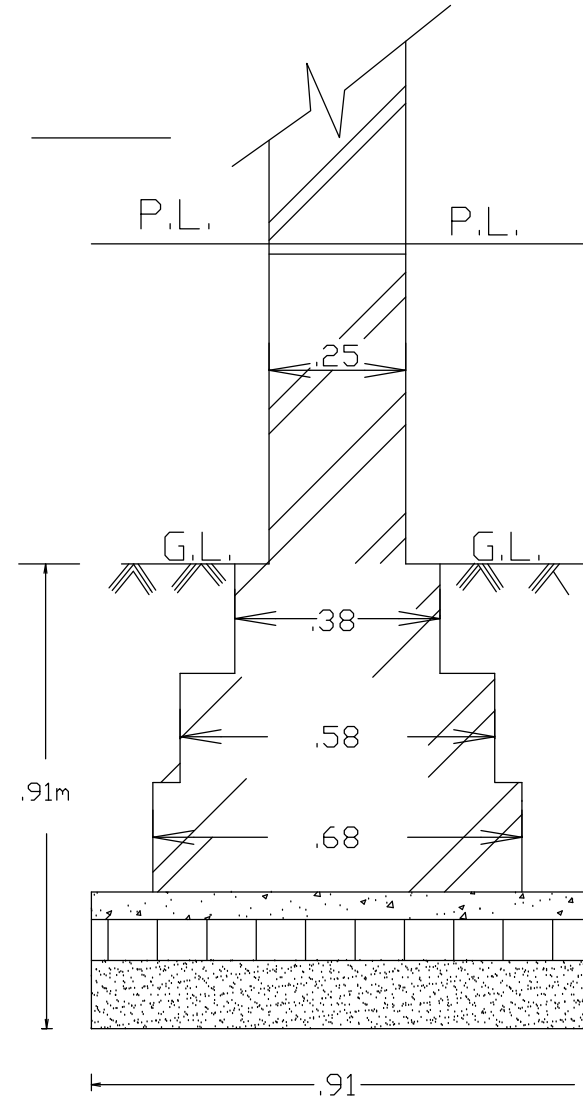
SECTION AT PP

SCALE -1:50



DETAIL OF R.C.C COL.

SCALE -1:50



DETAIL OF FOUNDATION

SCALE -1:50