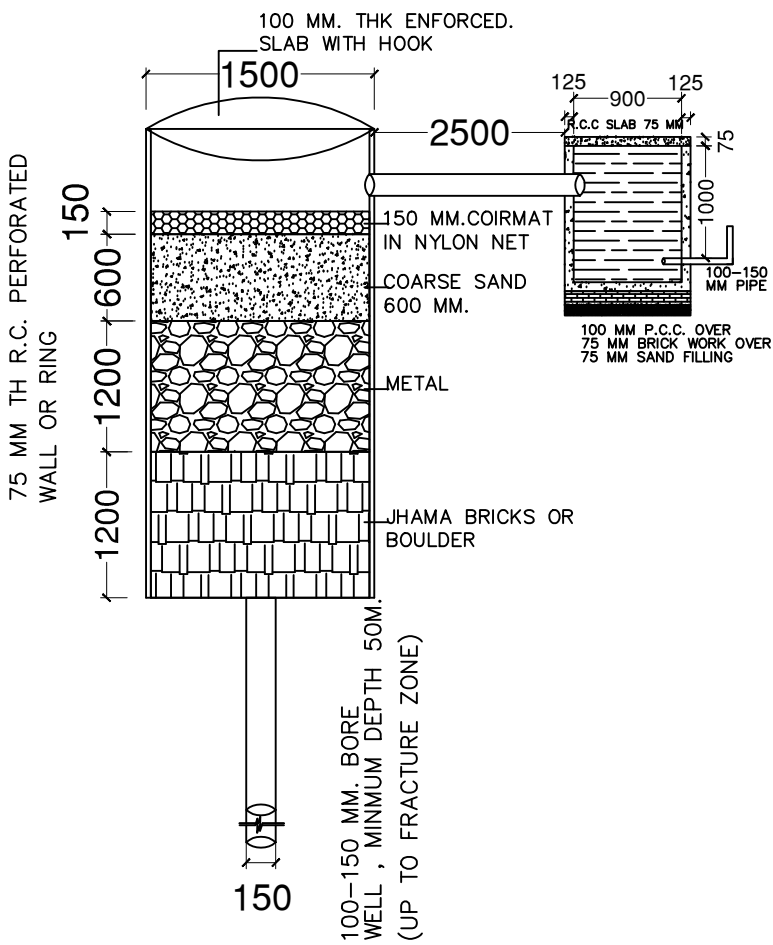
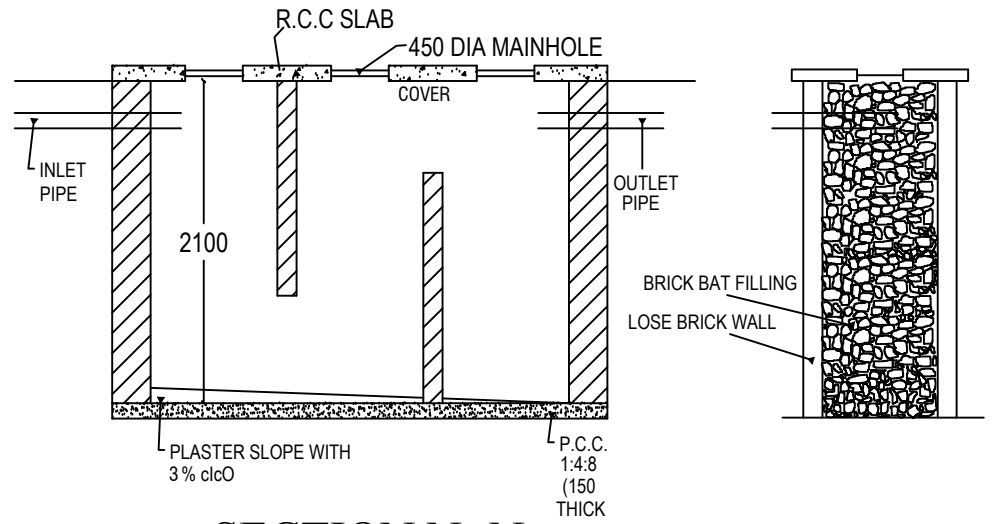
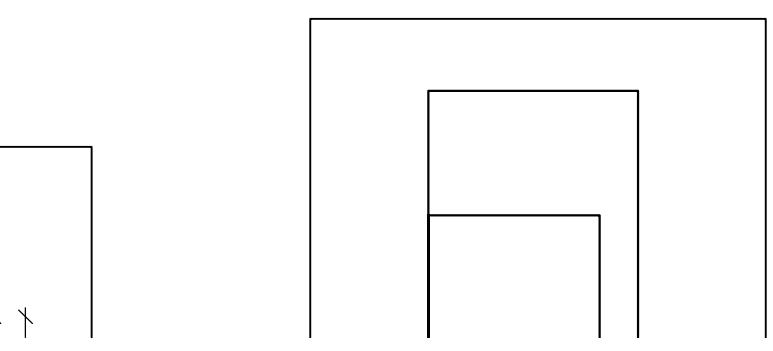


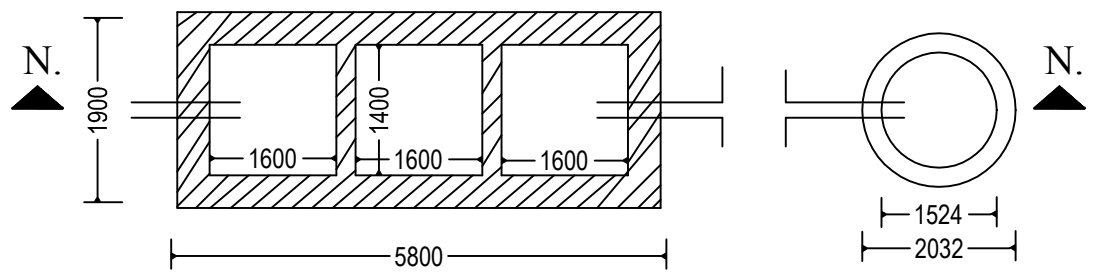
DETAIL OF GROUND WATER RECHARGING PIT WITH SLIT TANK



Rain Water Storage Tank Detail SECTION A-A (SCALE 1:50)

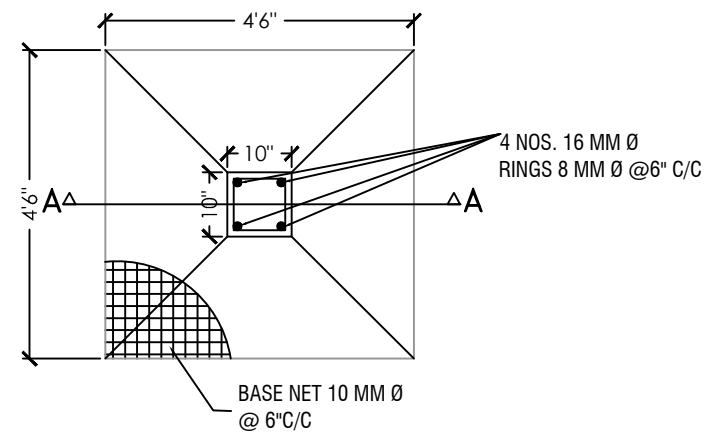


SECTION N.-N.



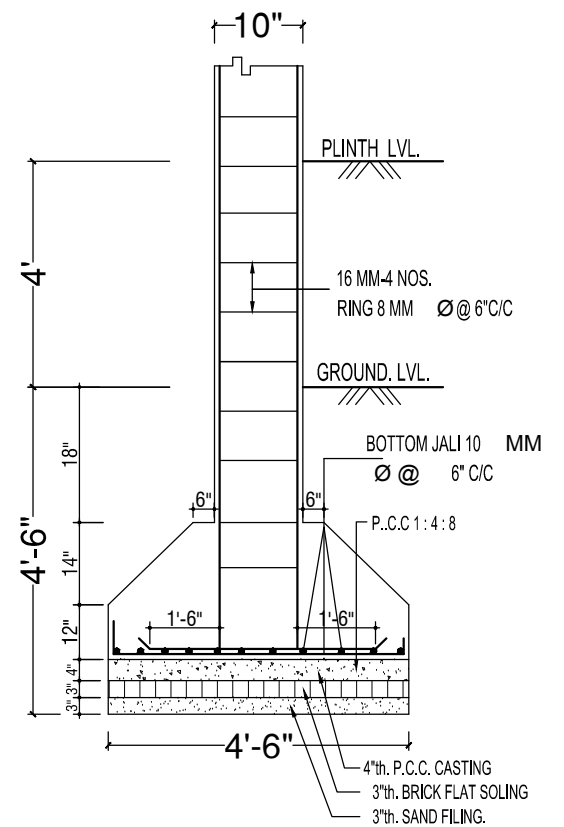
DETAIL OF SEPTIC TANK & SOAKPIT.

Septic Tank Detail



PLAN OF COLUMN FOUNDATION

SCALE= 1:50



SECTION ON A-A

SCALE= 1:50

Structure Detail