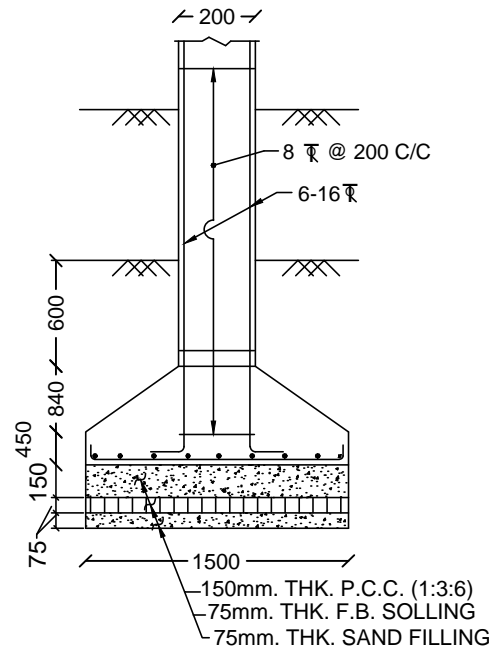


FOUNDATION PLAN OF COLUMN



SECTION 4-4

Structure Detail