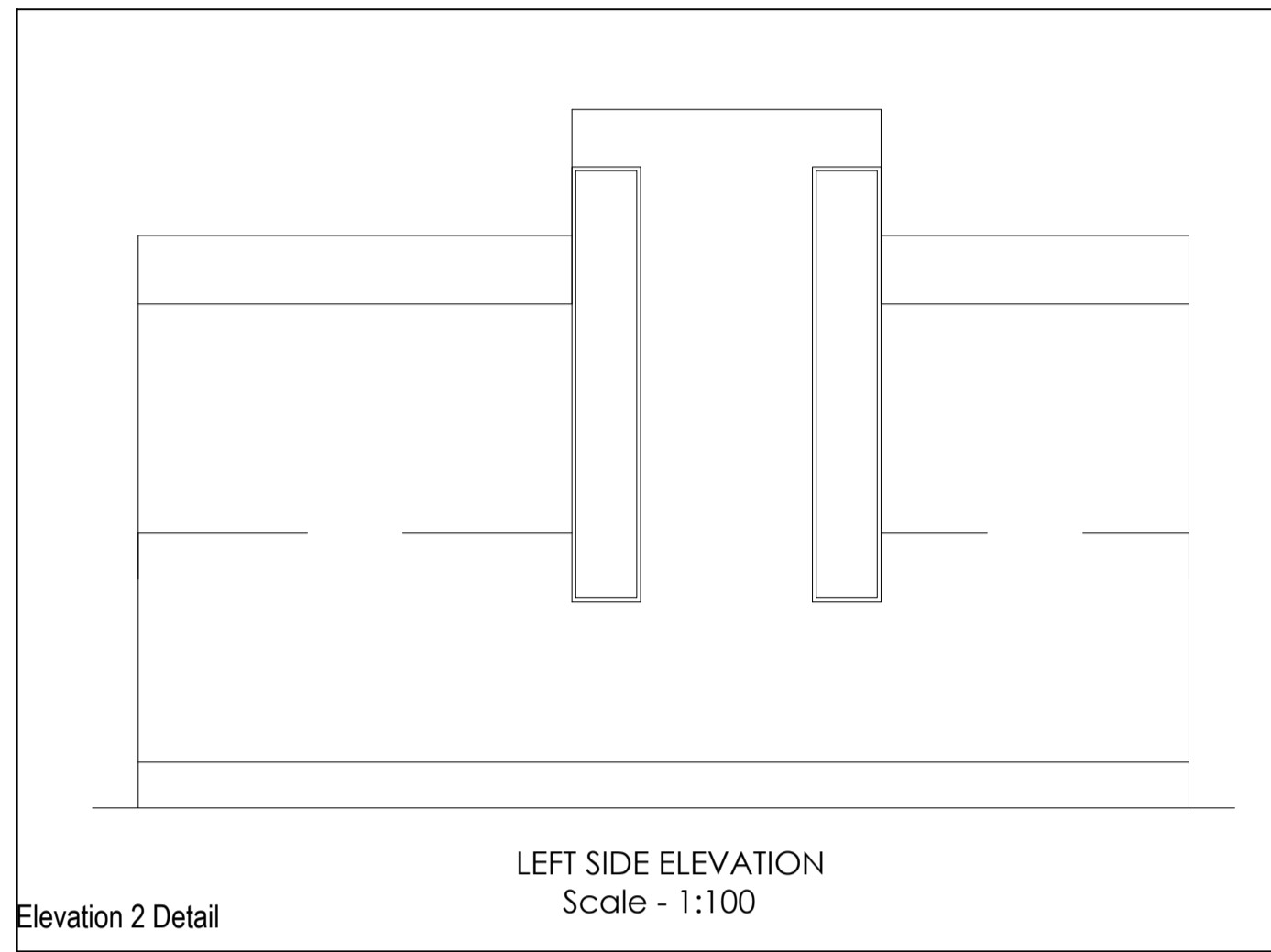
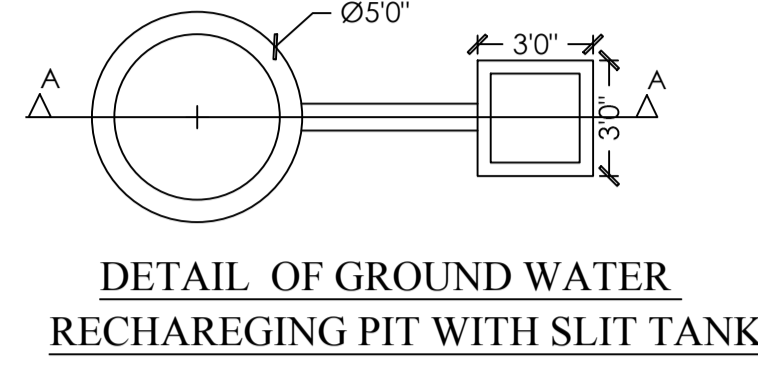


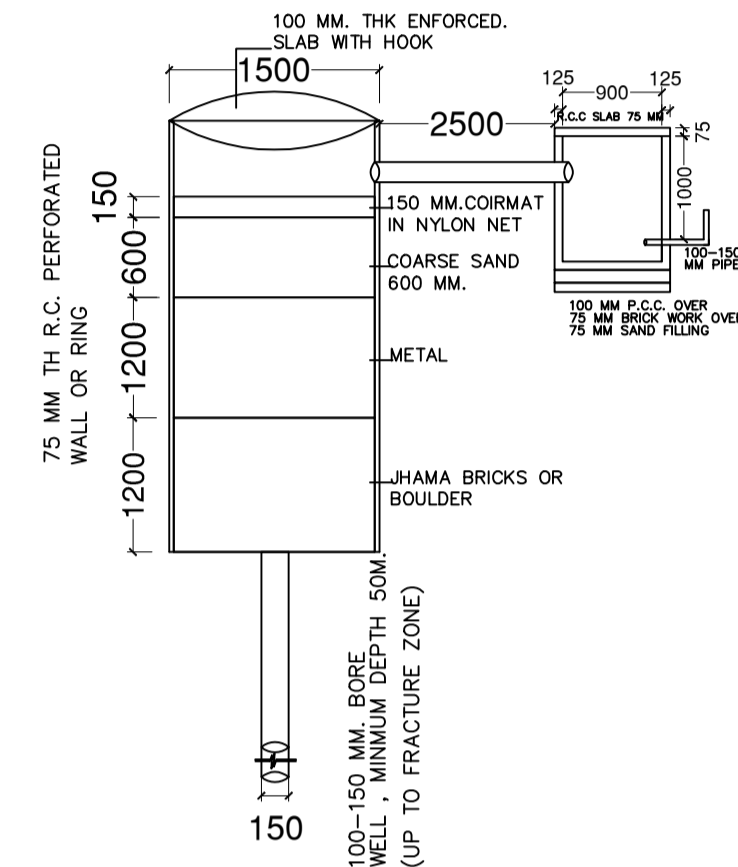
Elevation 1 Detail



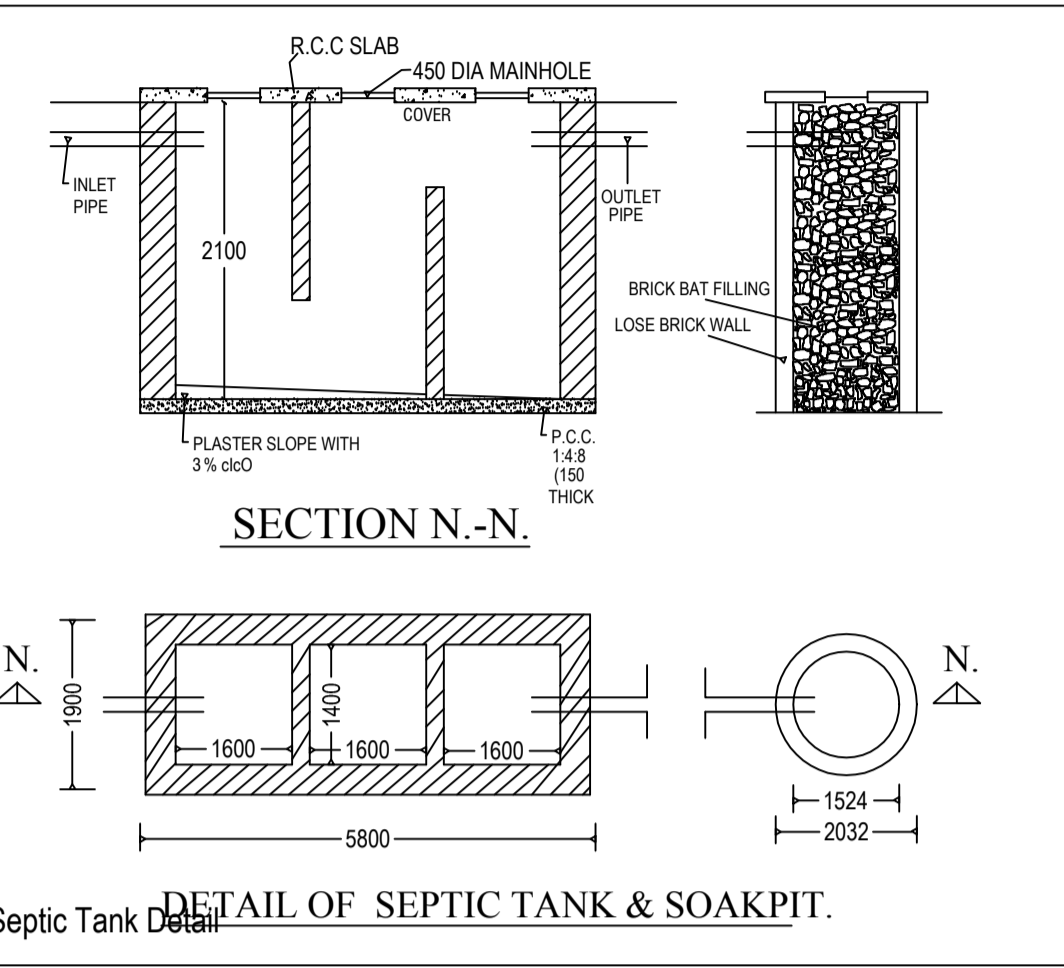
LEFT SIDE ELEVATION
Scale - 1:100



DETAIL OF GROUND WATER RECHARGING PIT WITH SLIT TANK

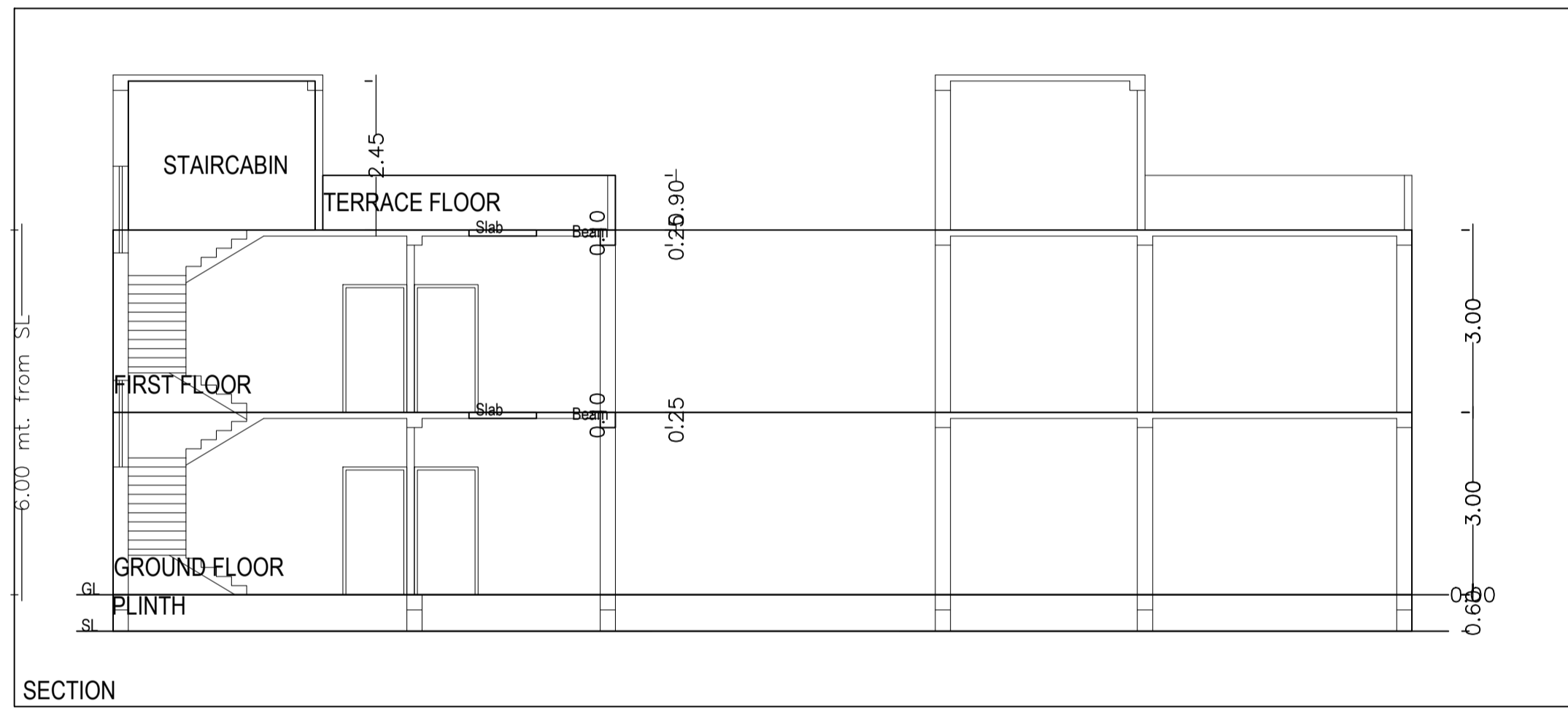


Rain Water Storage Tank Detail SECTION AT A-A (SCALE 1:50)

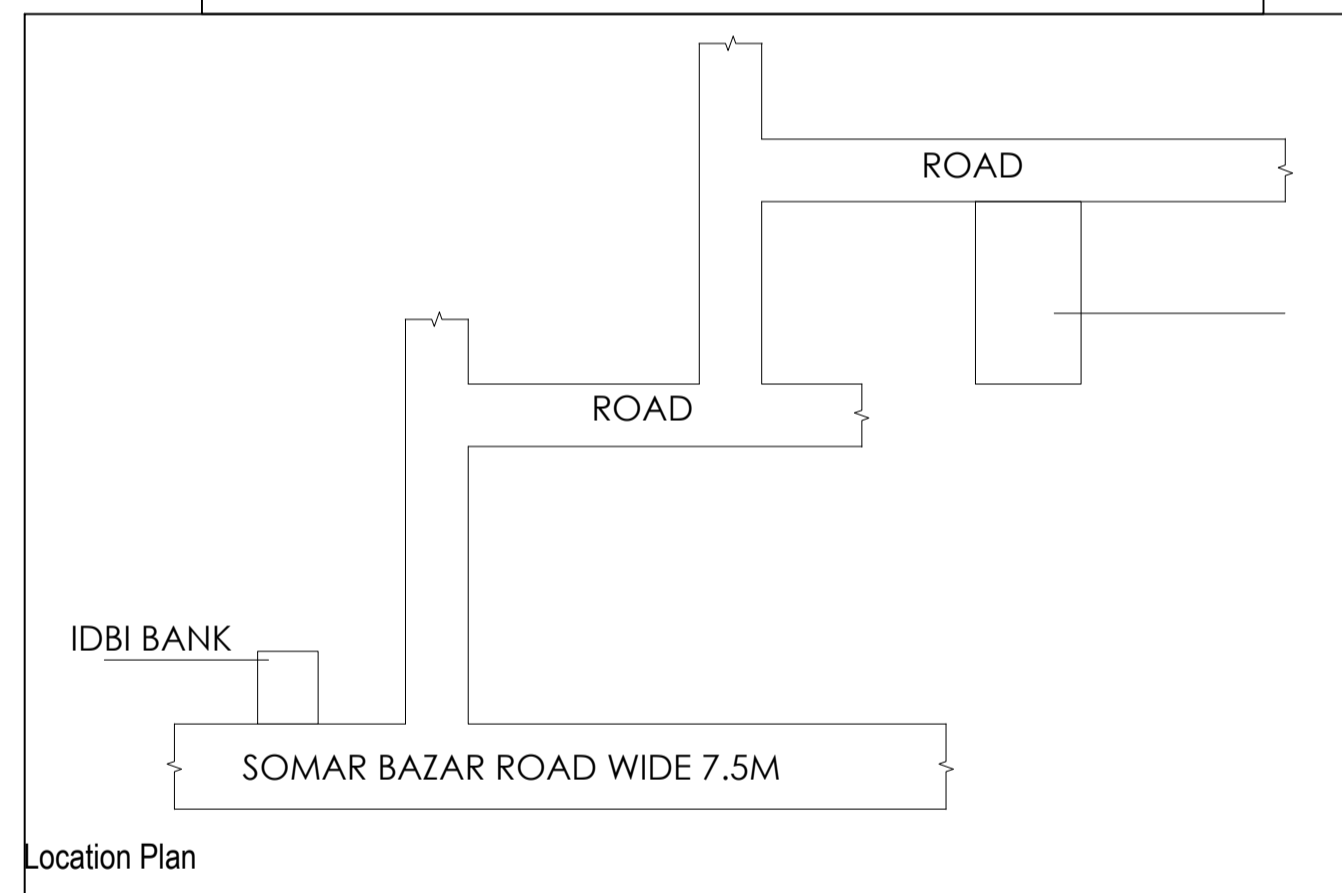


SECTION N.-N.

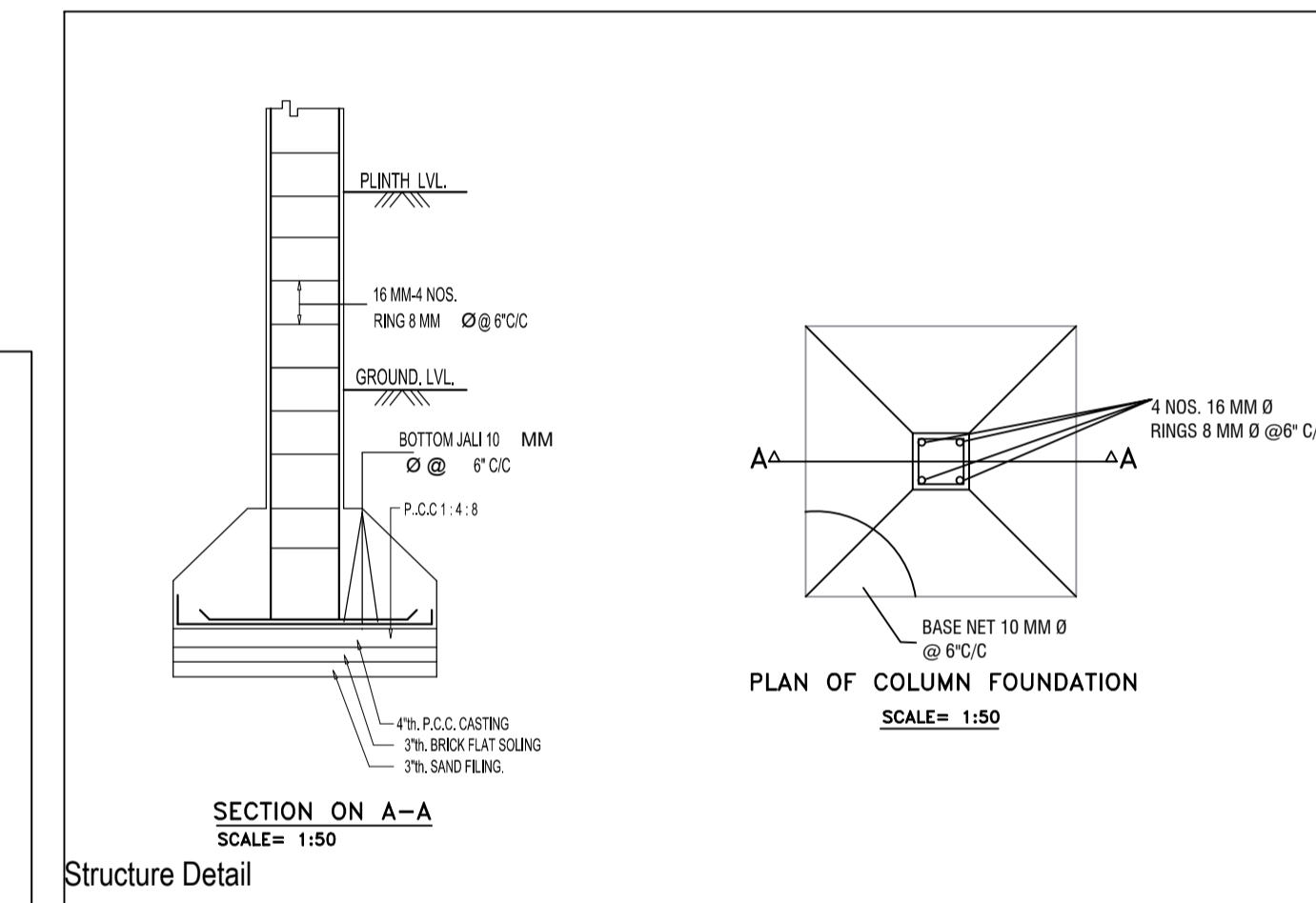
DETAIL OF SEPTIC TANK & SOAKPIT.



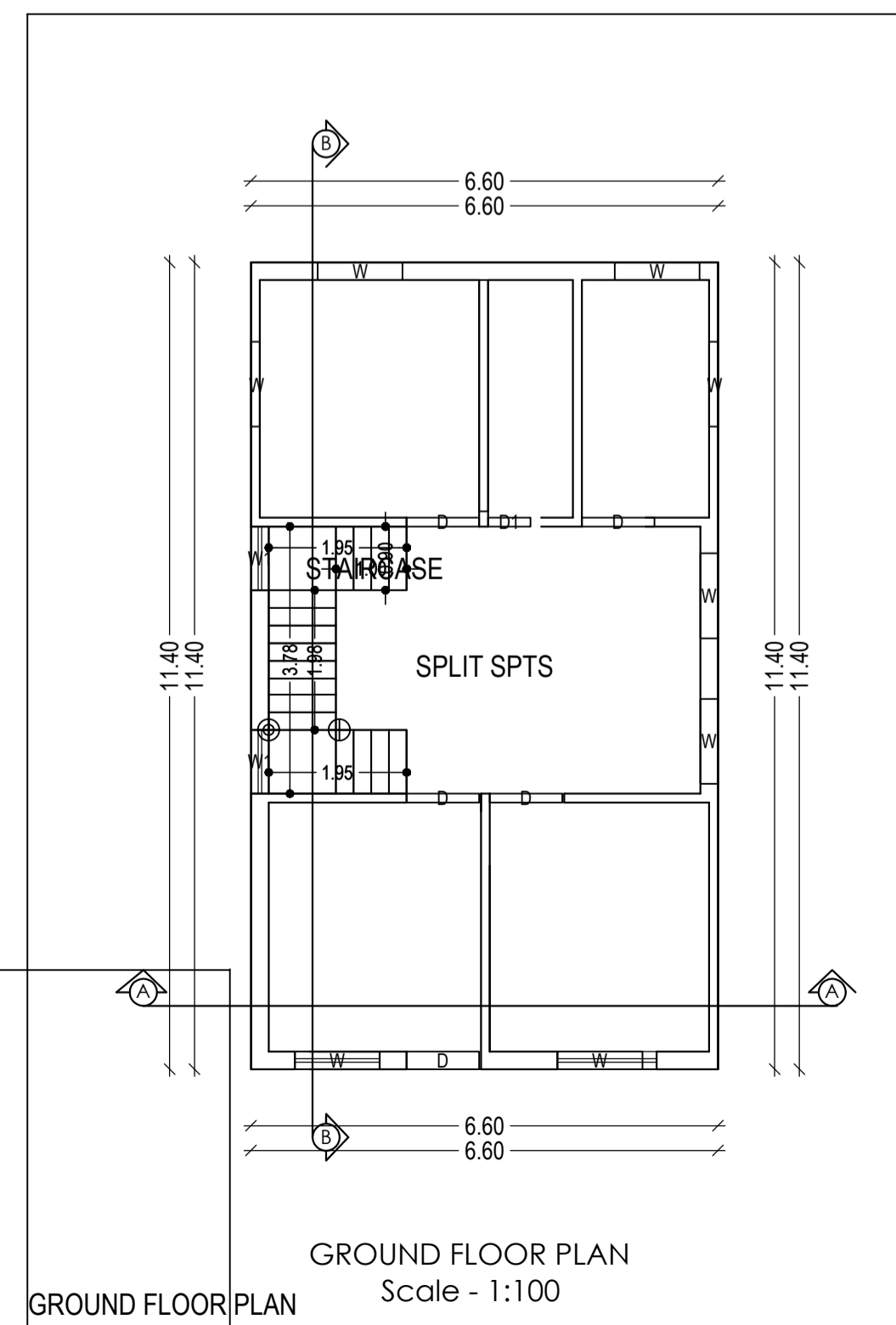
SECTION



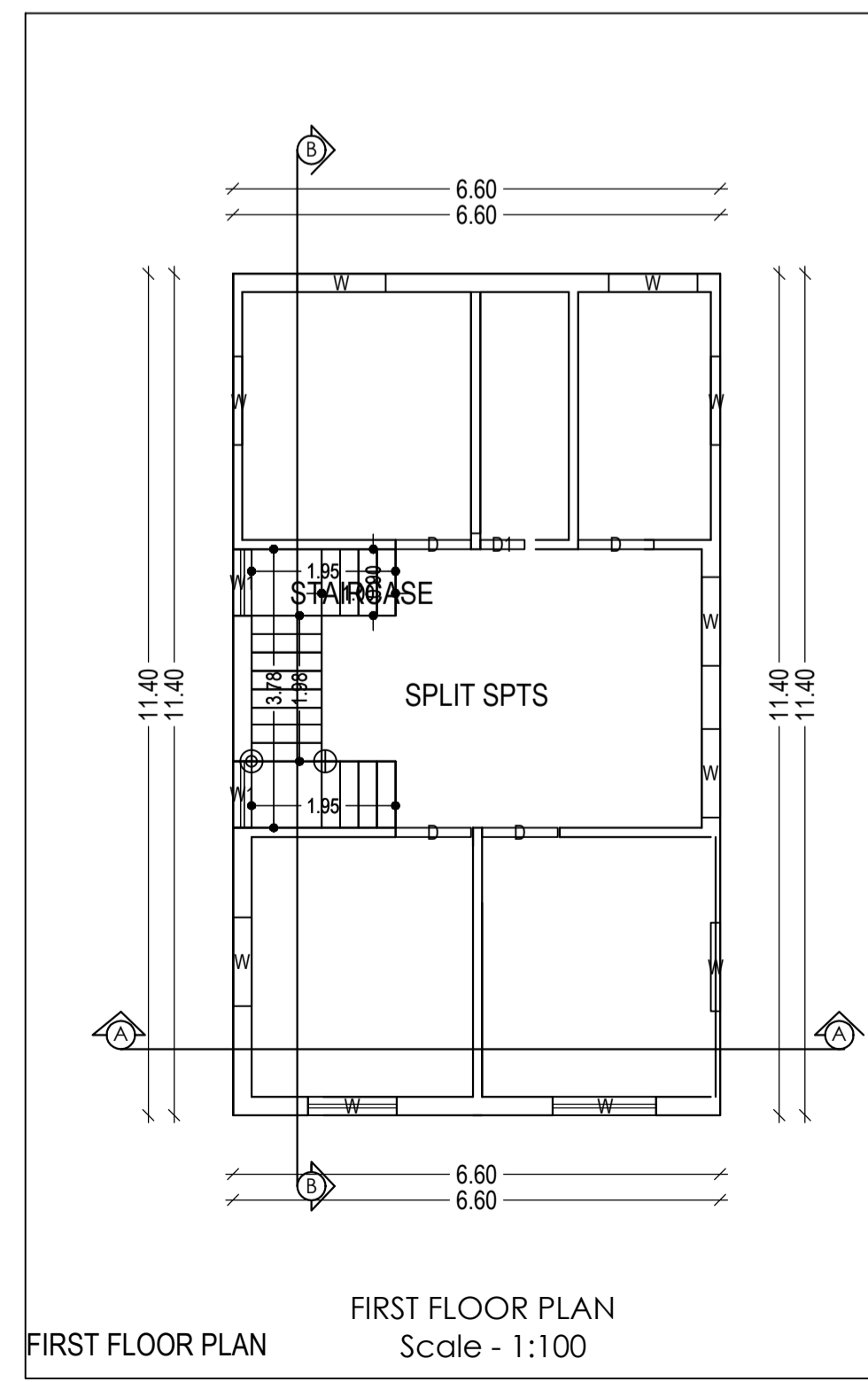
Location Plan



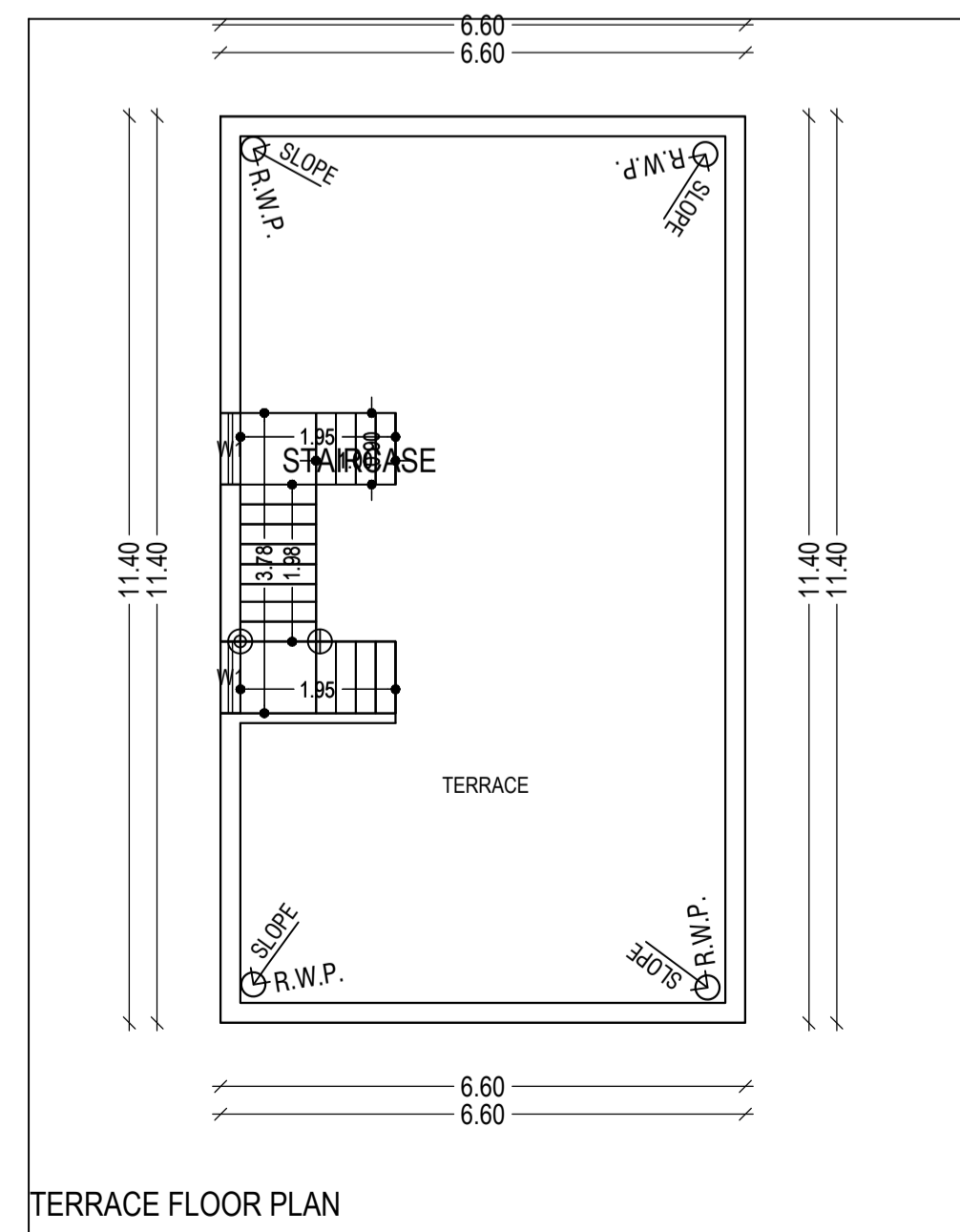
Structure Detail



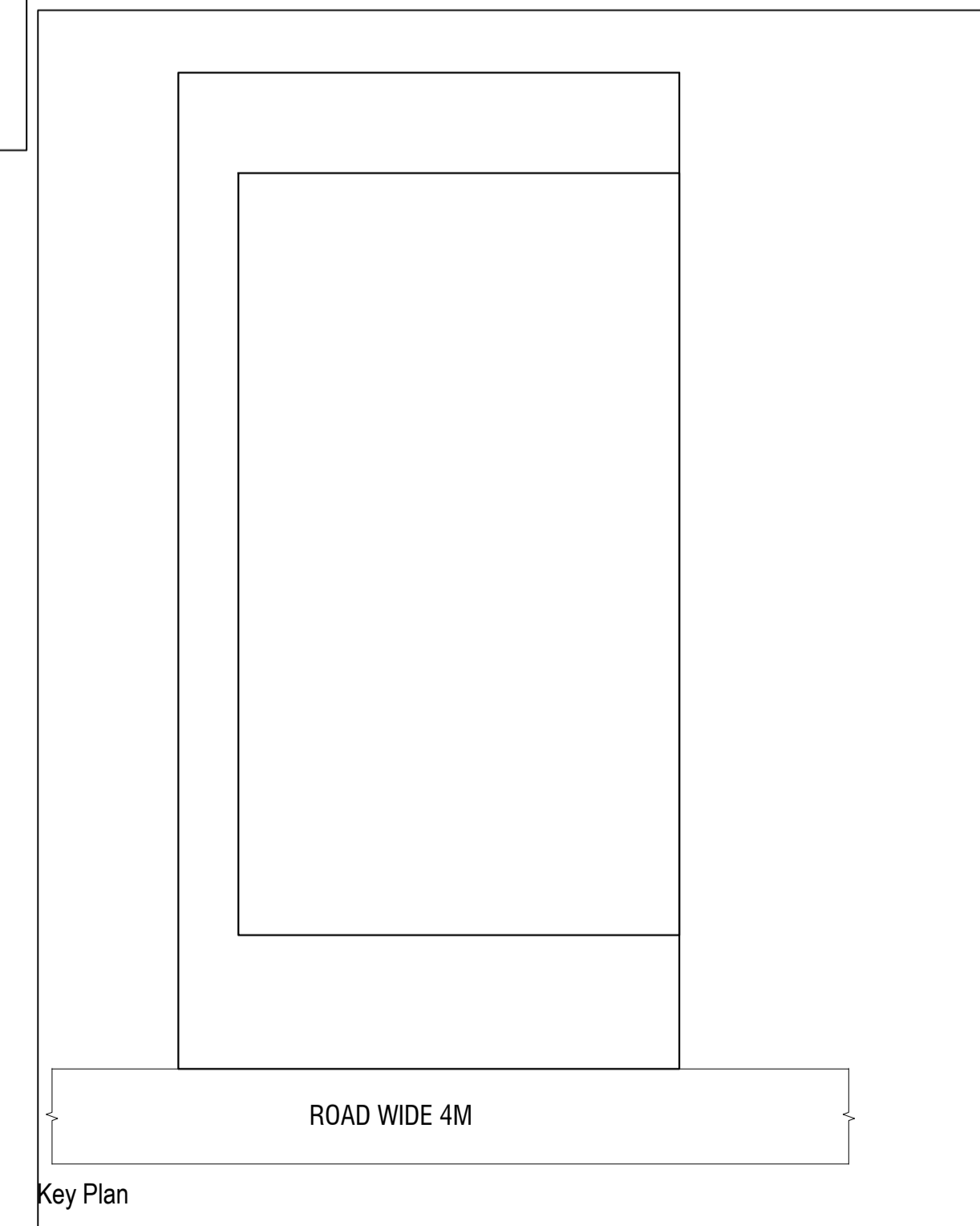
GROUND FLOOR PLAN
Scale - 1:100



FIRST FLOOR PLAN
Scale - 1:100



TERRACE FLOOR PLAN



Key Plan

General notes				
1	ALL DIMENSION ARE IN MILLIMETRES UNLESS OTHERWISE STATED.			
2	NO DIMENSION IS TO BE SCALED OFF THE DRAWING.			
3	DRAWINGS TO BE READ IN CONJUNCTION WITH ALL RELEVANT DRAWINGS & SPECIFICATIONS.			
4	REFER WRITTEN DIMENSIONS ONLY.			
5	DOORS AND WINDOW FRAME NOT TO BE FIXED ALONG WITH BRICK WORK.			
6	INTERNAL PLASTER SHOULD BE 12MM THICK AND EXTERNAL PLASTER IS 25MM THICK.			
7	FOUNDATION DEPTH UPTO GOOD SOIL.			
8	CEMENT MORTAR OF MIX (1:6) FOR ENTIRE STRUCTURE AND PLASTER WORK.			
9	SEPTIC TANK WILL BE FLUSHING SYSTEM.			
10	ALL REINFORCEMENT SHALL BE OF TOR STEEL OF GRADE FY-415.			
11	GRADE OF CONCRETE SHALL BE M-20			

TYPE	WIDTH	HEIGHT	SILL LVL	DISCRPTION
D1	1000	2100	NILL	" "
D2	900	2100	NILL	" "
D3	700	2100	NILL	" "
CG	1500	2100	NILL	STEEL CHANNEL GATE
W	1500	1200	900	4 LEAF GLAZED WIND
W2	1200	1200	900	" "
W3	900	1200	900	" "
V	600	300	2400	VENTILATOR

schedule of area	
PLOT AREA AS PER SITE	- 111.75 SQ.M.
AREA OF GROUND FLOOR	- 75.24 SQ.M.
AREA OF FIRST FLOOR	- 75.24 SQ.M.
TOTAL BUILD UP AREA	- 150.48 SQ.M.
% OF COVERED AREA	- 67.32%
TOTAL F.A.R. ACHIEVED	- 1.34

owner
PROPOSED RESIDENTIAL BUILDING PLAN OF SANIF KHAN, S/O KASIM KHAN, PLOT NO. :- 2606, KHATA NO. :- 341. THANA NO. :- 144, WARD NO. :- 03, AREA :- 4 DECIMAL. MAUZA :- NIGNI, LOHARDAGA. DIST - LOHARDAGA - 835302, STATE - JHARKHAND

Architect
AH GROUP
 New Road, Lohardaga (Jharkhand)
 Mobile No. 9934264642
 E-mail :- mohd.ahmed25@gmail.com

ISSUE ONLY FOR CLIENT		
SCALE	DATE	SHEET NO.
1 : 100		01 OF 01
CLIENT	ENGINEER / ARCHITECT	