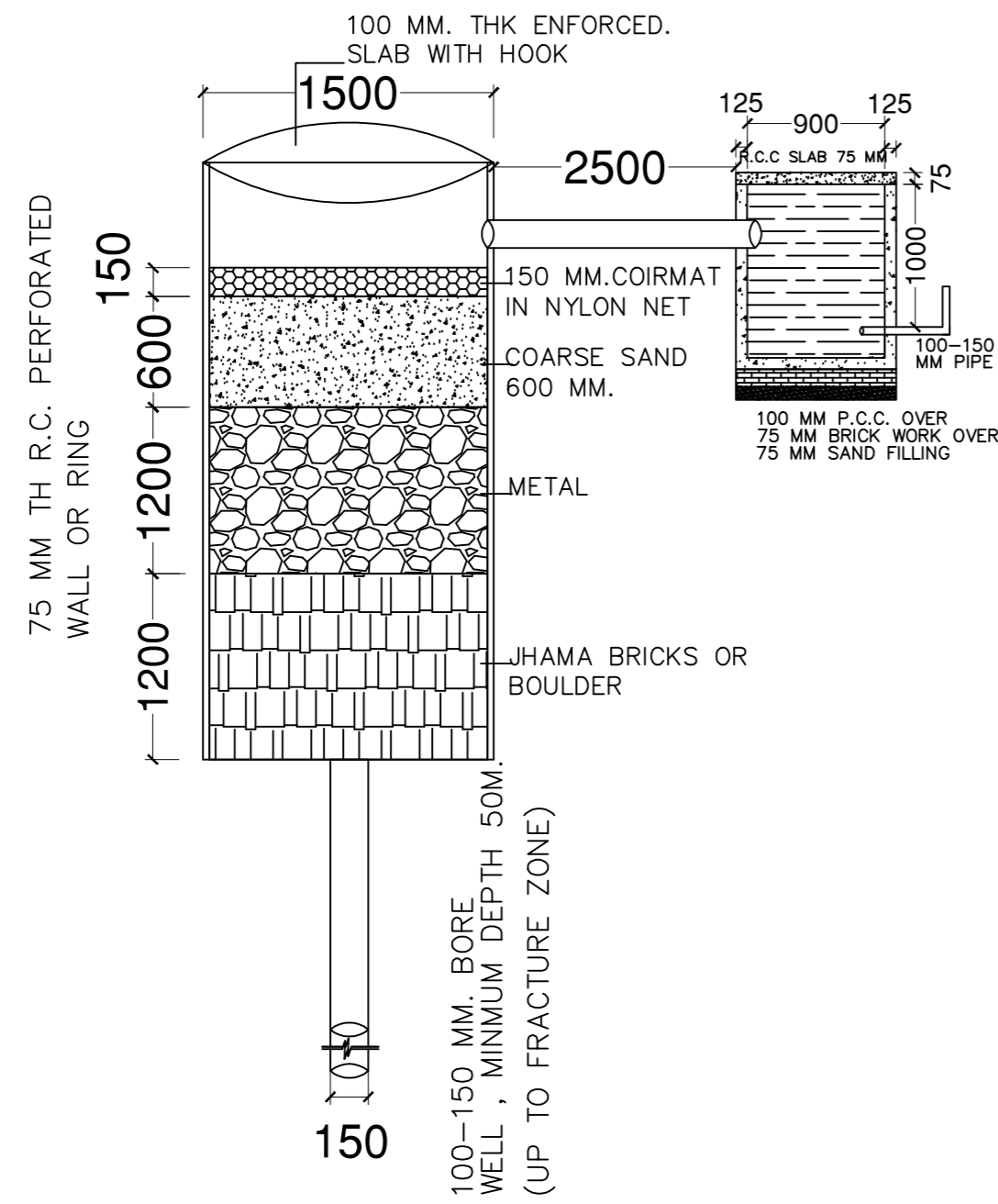
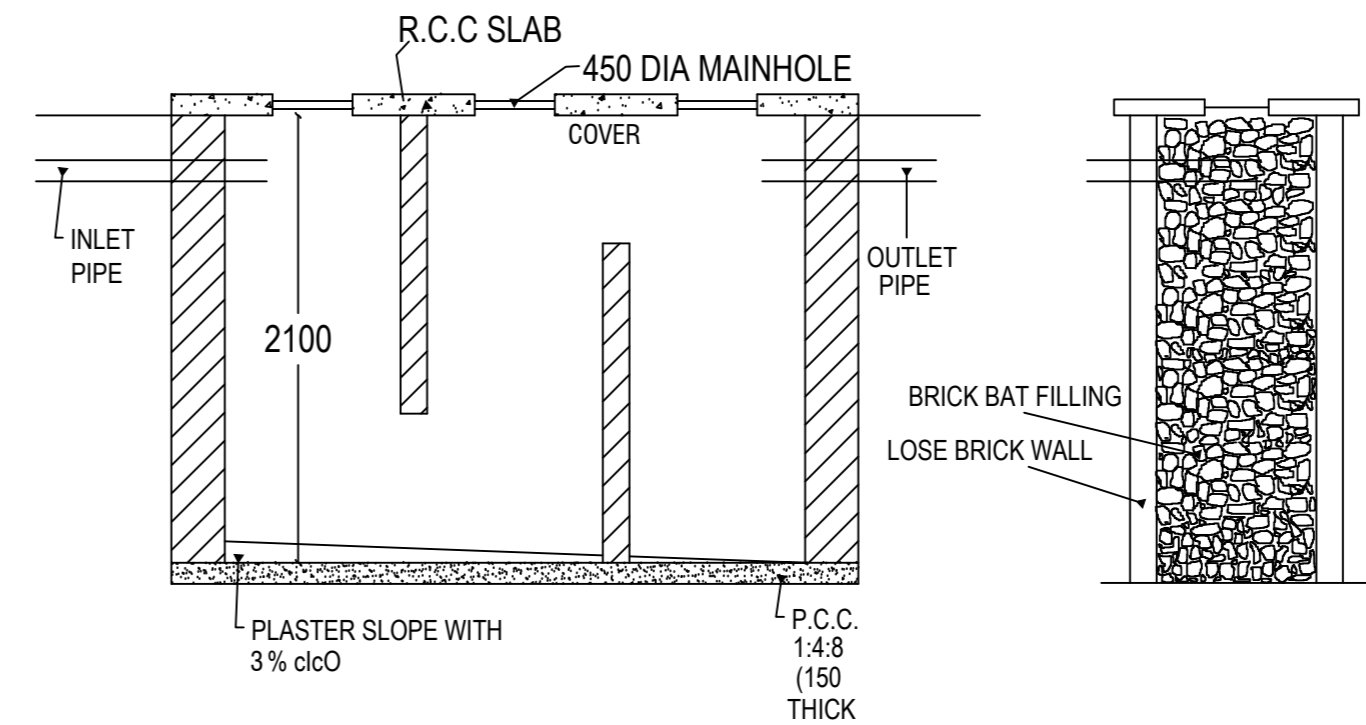


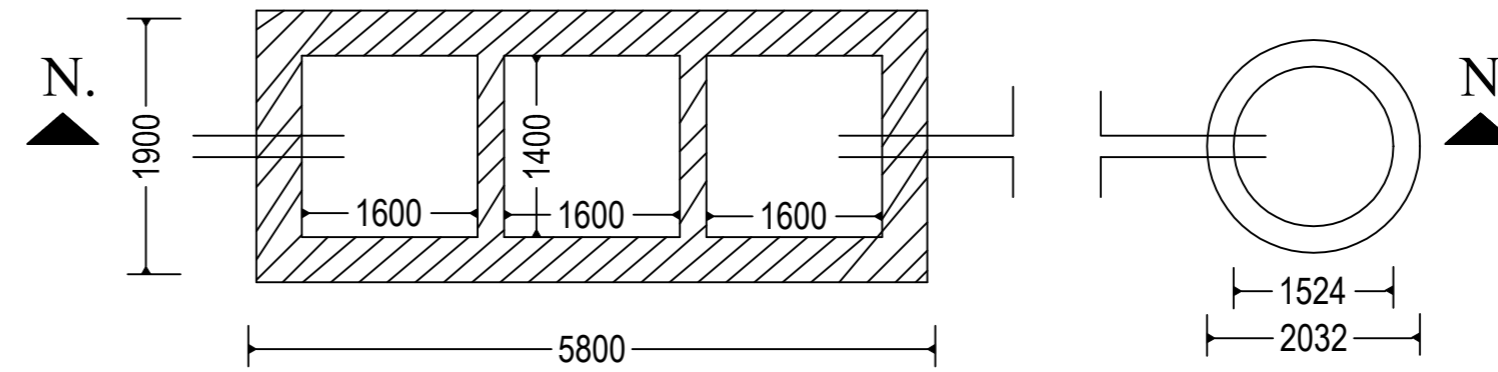
DETAIL OF GROUND WATER RECHARGING PIT WITH SLIT TANK



Rain Water Storage Tank Detail SECTION A-A (SCALE 1:50)

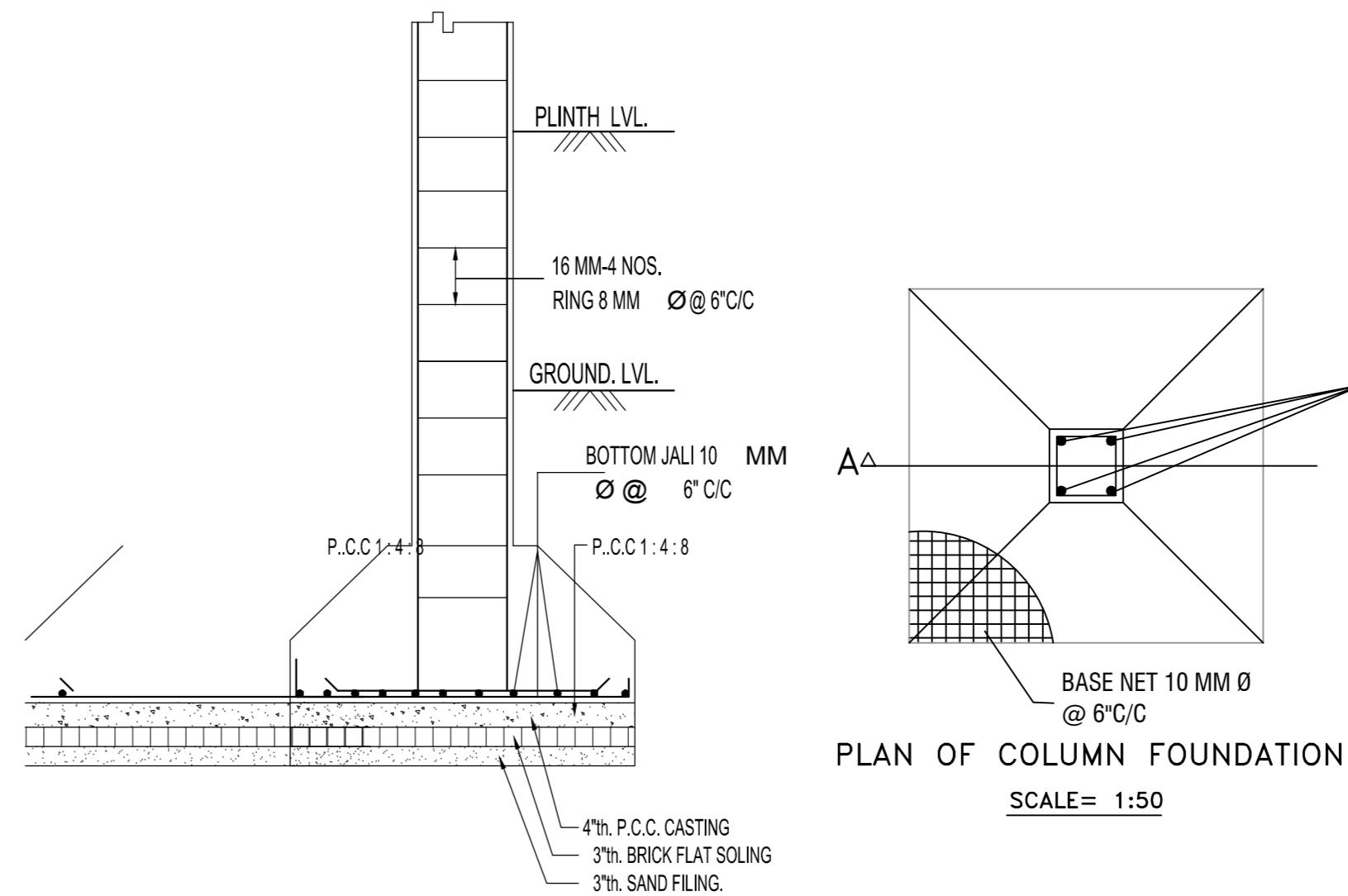


SECTION N.-N.



DETAIL OF SEPTIC TANK & SOAKPIT.

Septic Tank Detail



SECTION ON A-A SCALE= 1:50

PLAN OF COLUMN FOUNDATION SCALE= 1:50

Structure Detail