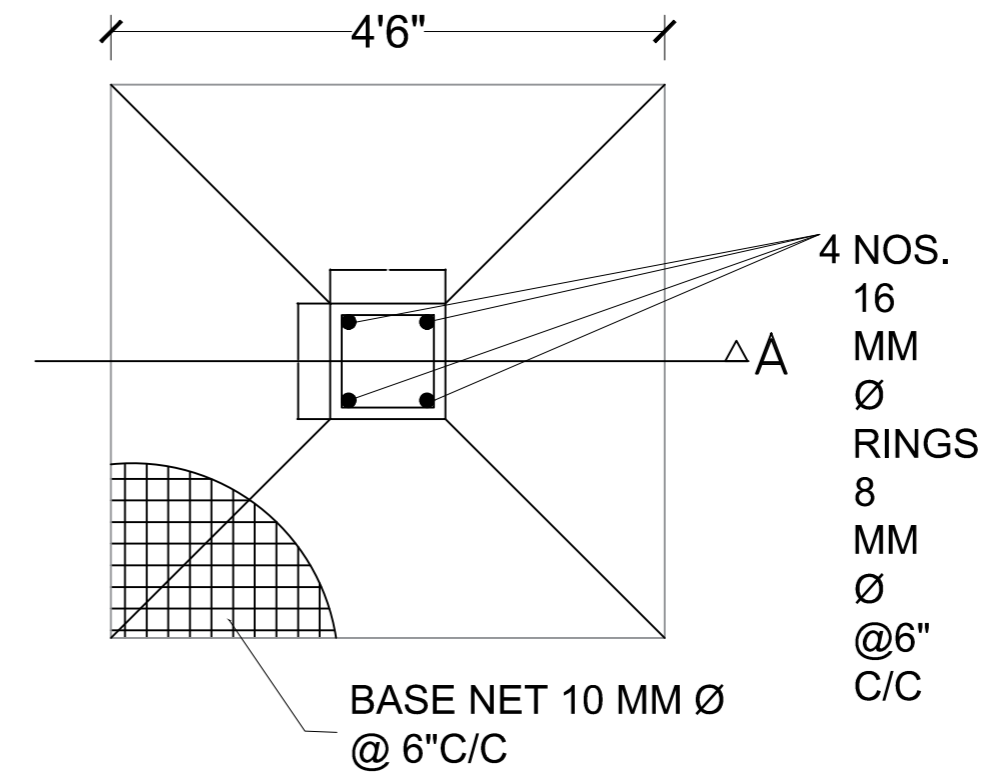
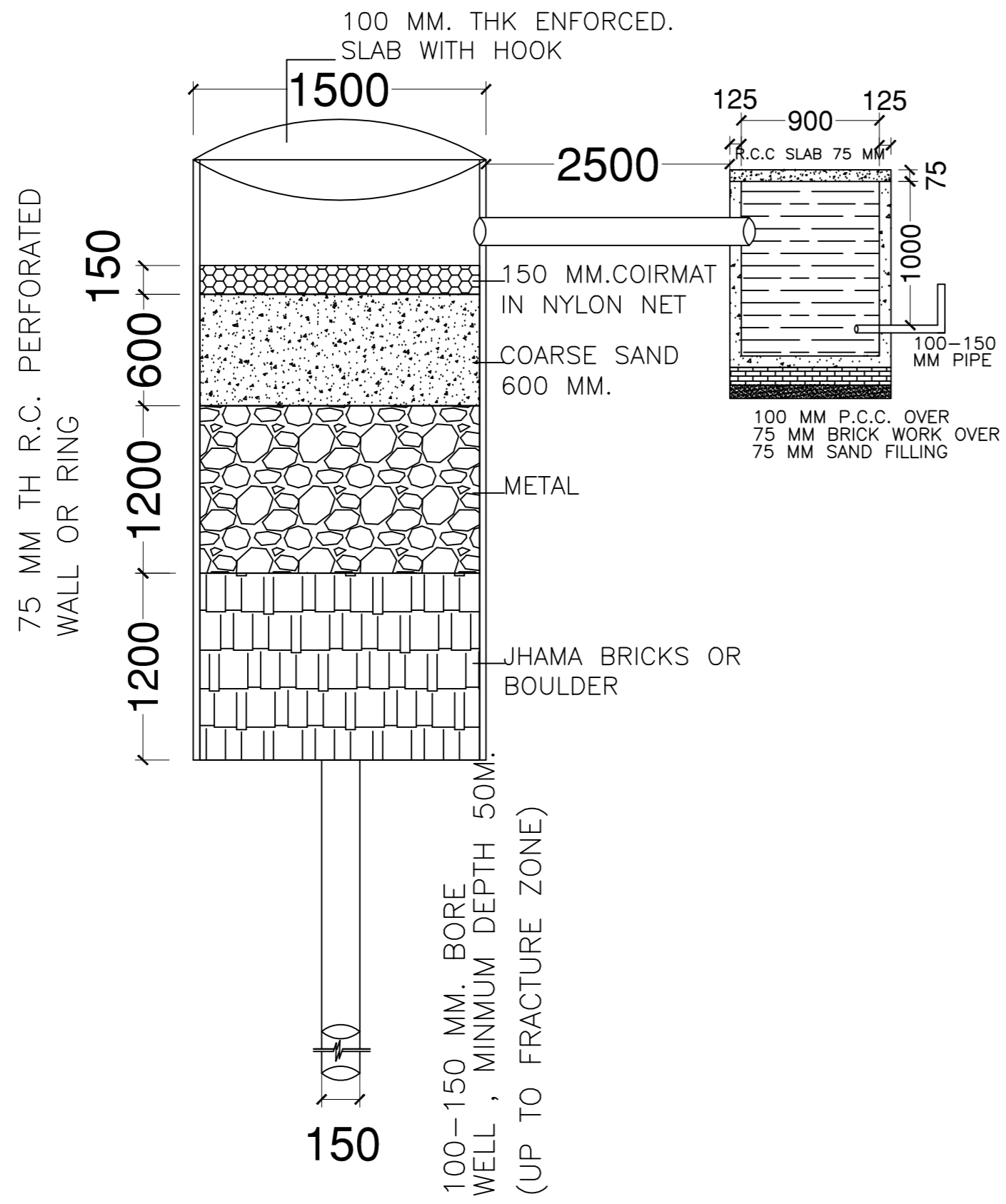


DETAIL OF GROUND WATER RECHAREGING PIT WITH SLIT TANK

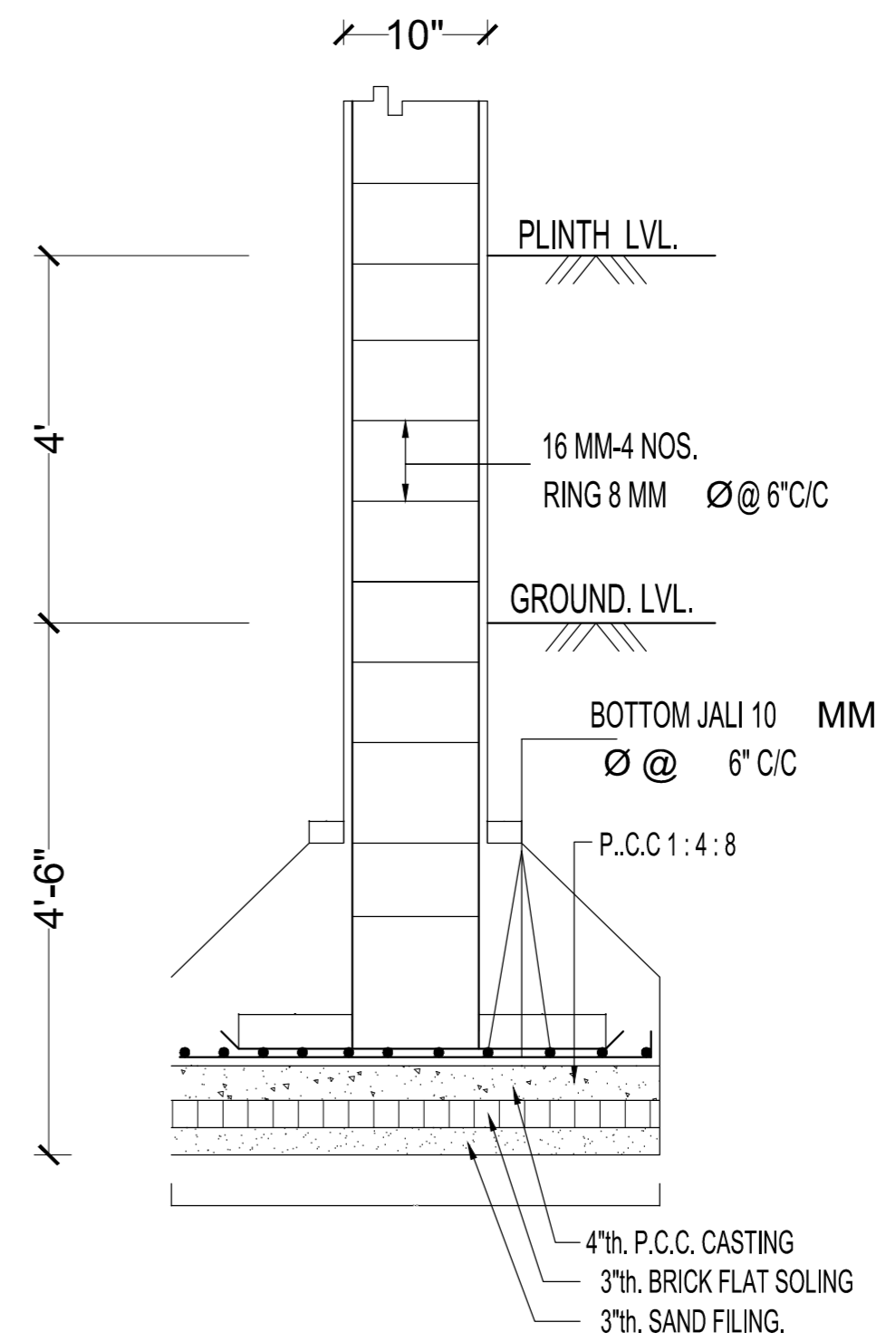


PLAN OF COLUMN FOUNDATION

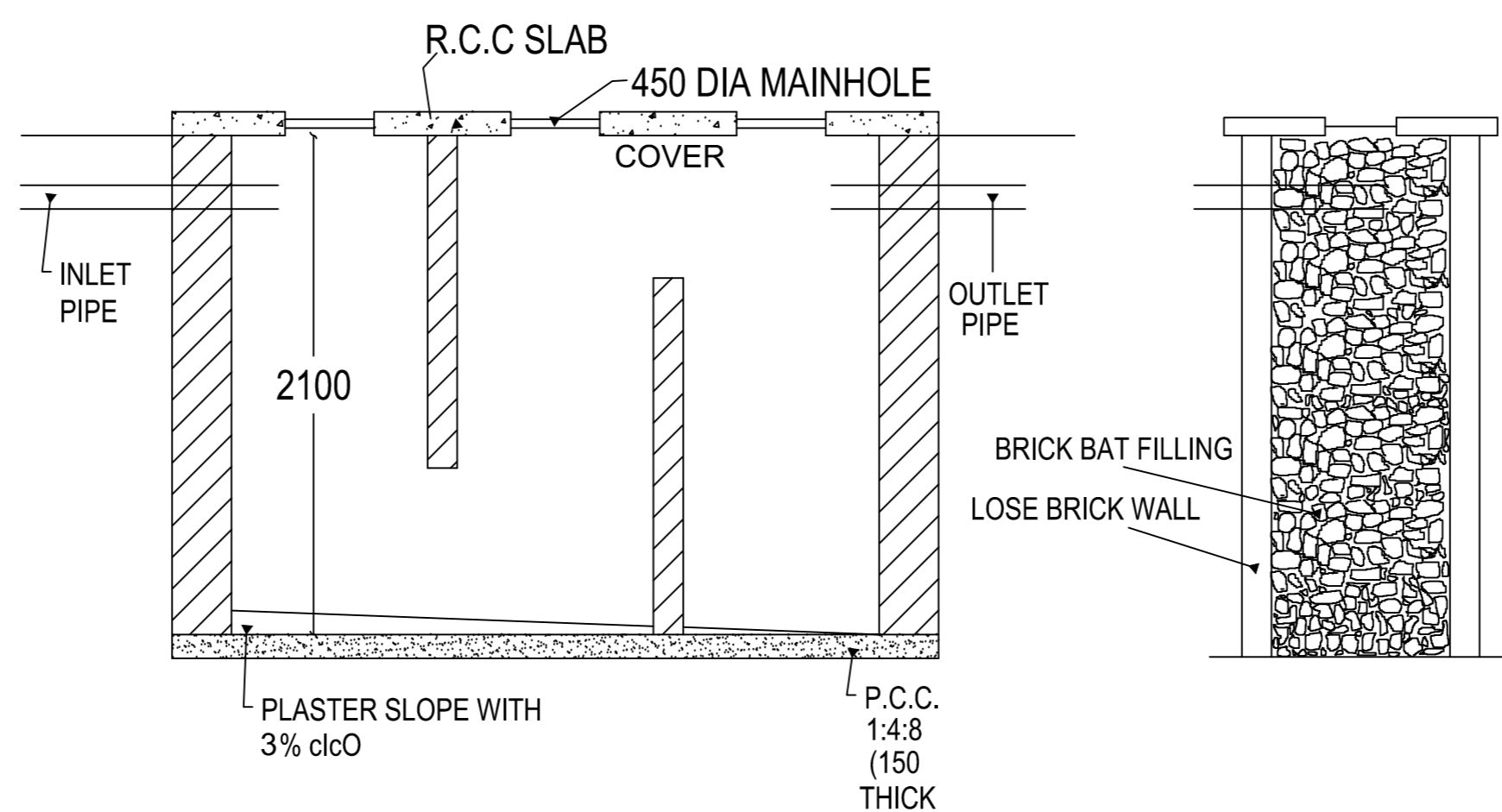
SCALE = 1:50



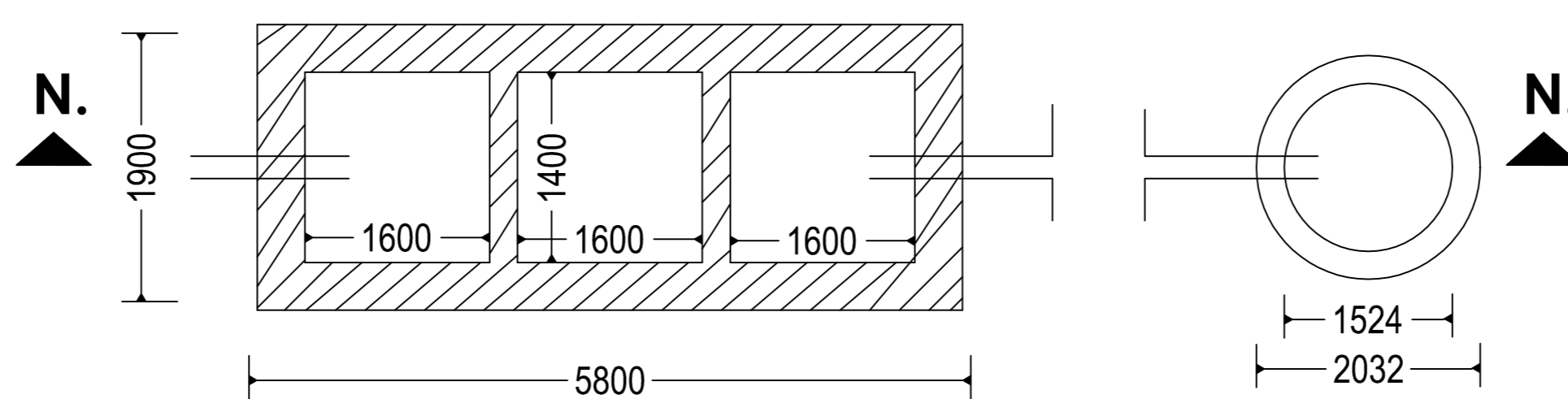
SECTION AT A-A (SCALE 1:50)



SECTION ON A-A
SCALE = 1:50



SECTION N.-N.



DETAIL OF SEPTIC TANK & SOAKPIT.