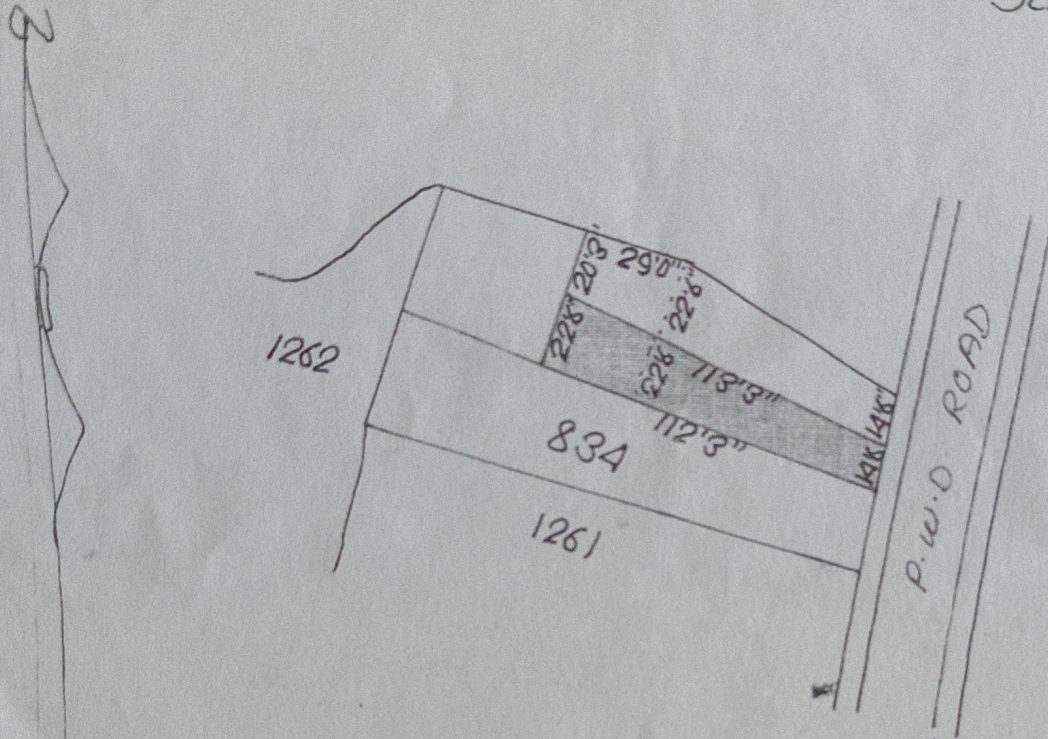


ORIGINAL

PURCHASE SITE FOR MANGRANINI DEVI MAP OF VILLAGE
KUTMU THANA NO 141 THANA & DIST LOHARDAGA
SURVEY PART OF PLOT NO 834 AREA 05 DECIMAL
MORE OR LESS SHOWN IN RED WASHED

SCALE 64"=MILE



Witnessed by
K. Dasgupta
[Signature]

Rajendra Kumar