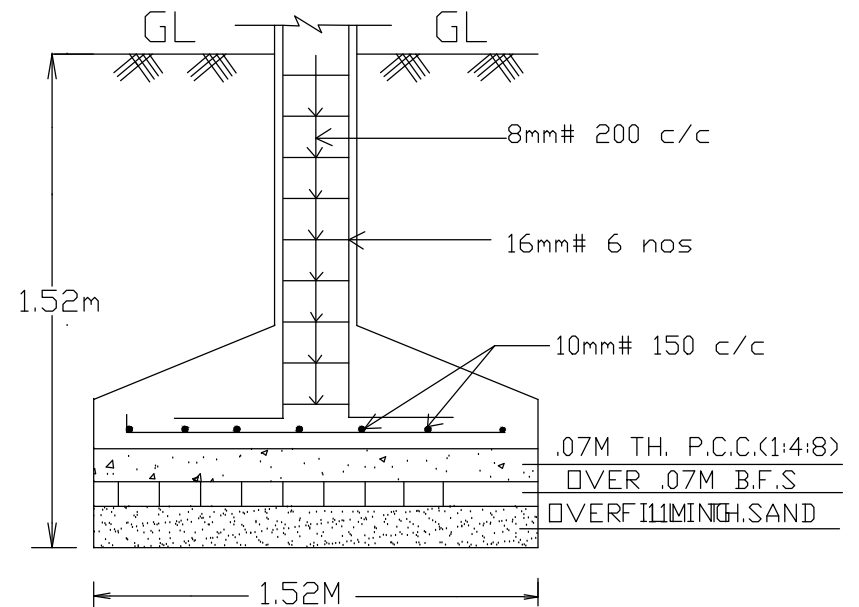


**DETAIL OF R.C.C. COL.**

SCALE -1:50



**SECTION AT PP**

SCALE -1:50