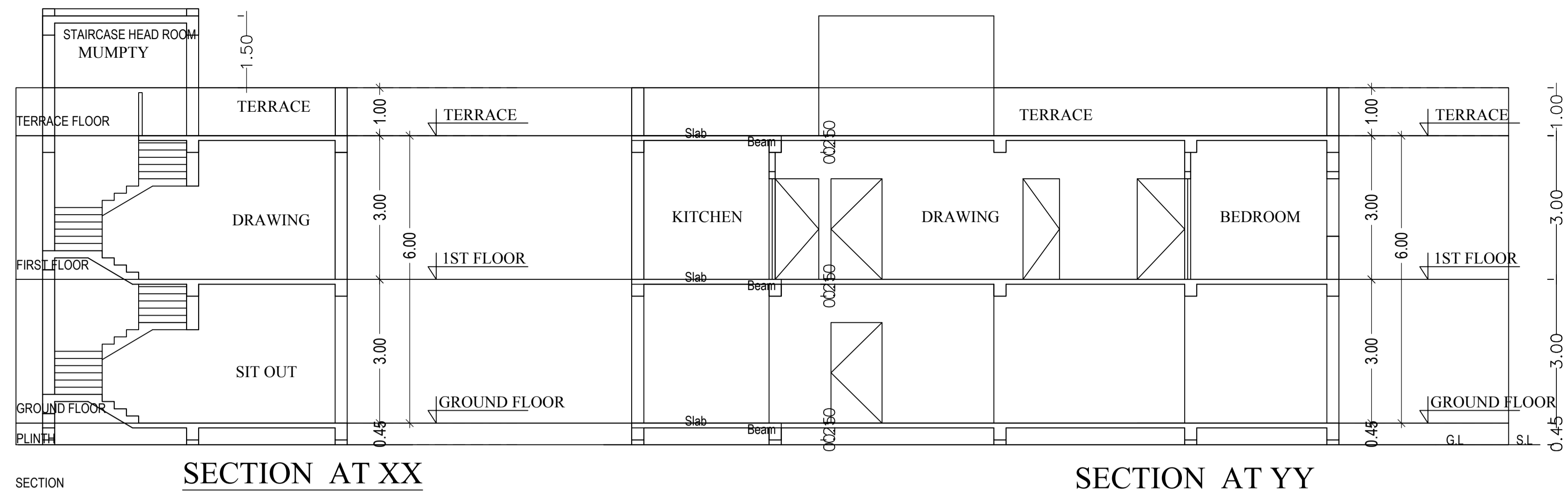


FRONT ELEVATION



SECTION AT XX

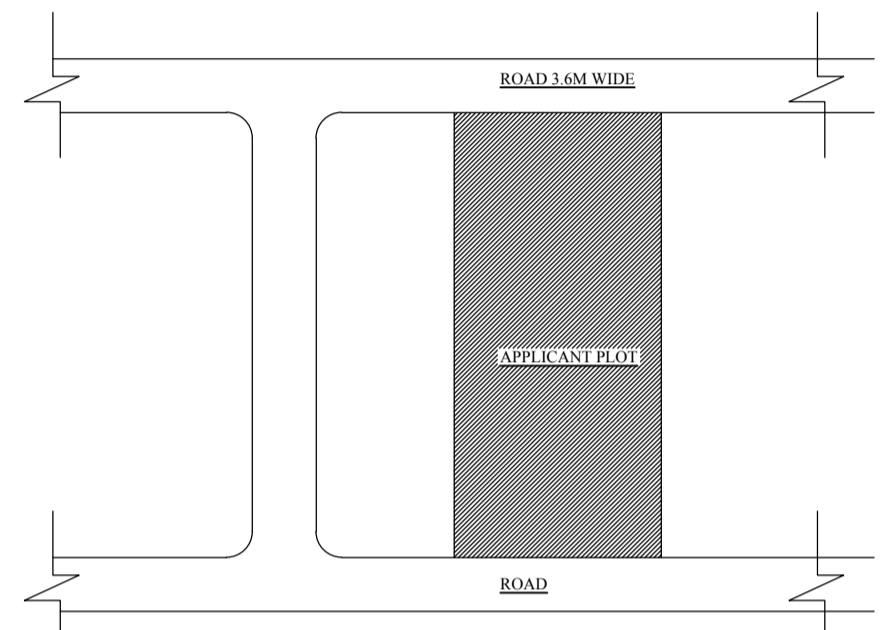
SECTION AT YY

SPECIFICATIONS

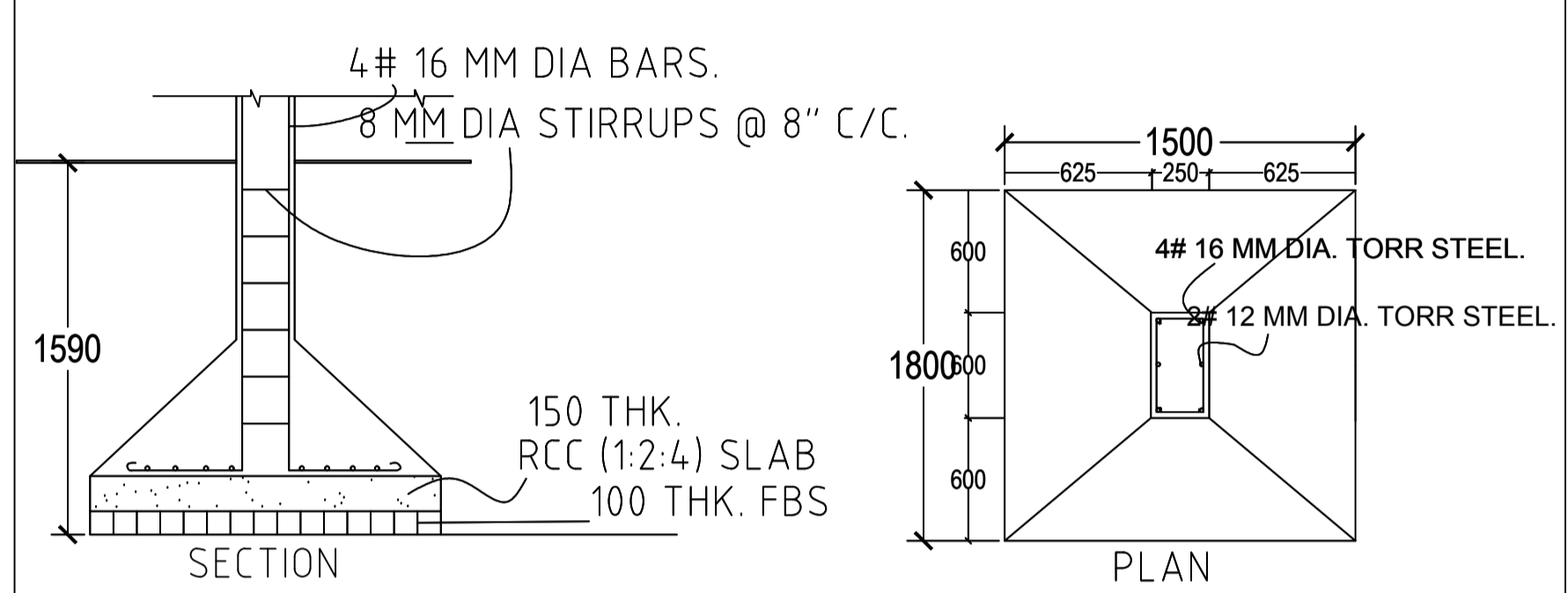
- 1) FOUNDATION - R.C.C. COLUMN STRUCTURE
- 2) WALLS - 1st CLASS BRICK WORK IN RED BRICK IN CEMENT MORTAR 1:6
- 3) ALL COLUMN BEAM IN TOR STEEL & 1:1.5:3 CEM. CONCRETE
- 4) FLOORING - 1" I.P.S. 1:2:4 OVER FLAT BRICK SOLING AND MOSAIC AS PER REQUIREMENT.
- 5) R.C.C. ROOF SLAB 100 MM THK IN M 20
- 6) STAIR WAIST SLAB 4" THK. STEPS 300 X 150.
- 7) CHHAJJA 3" THK 0.54 WIDE IN R.C.C. 1:2:4.
- 8) PLASTER 1/2" THK 1:8 INSIDE & 1/8" OUTSIDE CEILING 1/4" THK IN 1:4
- 9) WOOD WORK 1 1/2" THK FLUSH DOORS. WINDOWS IN STEEL GLAZED AS PER DESIGN

DOOR/ WINDOW SCHEDULE

S.No	Type	Width	Height	Lintel	Description
1	D	1050	2100	2100	double shutter panel door
2	D1	1000	2100	2100	single shutter panel door
3	D2	900	2100	2100	single shutter panel door
4	D3	750	2100	2100	single shutter panel door
6	W	1800	1200	2100	3 leaf glazed shutter
7	W1	1500	1200	2100	3 leaf glazed shutter
8	W2	1200	1200	2100	2 leaf glazed shutter
9	W3	900	1200	2100	2 leaf glazed shutter
10	V	600	900	2100	ventilator

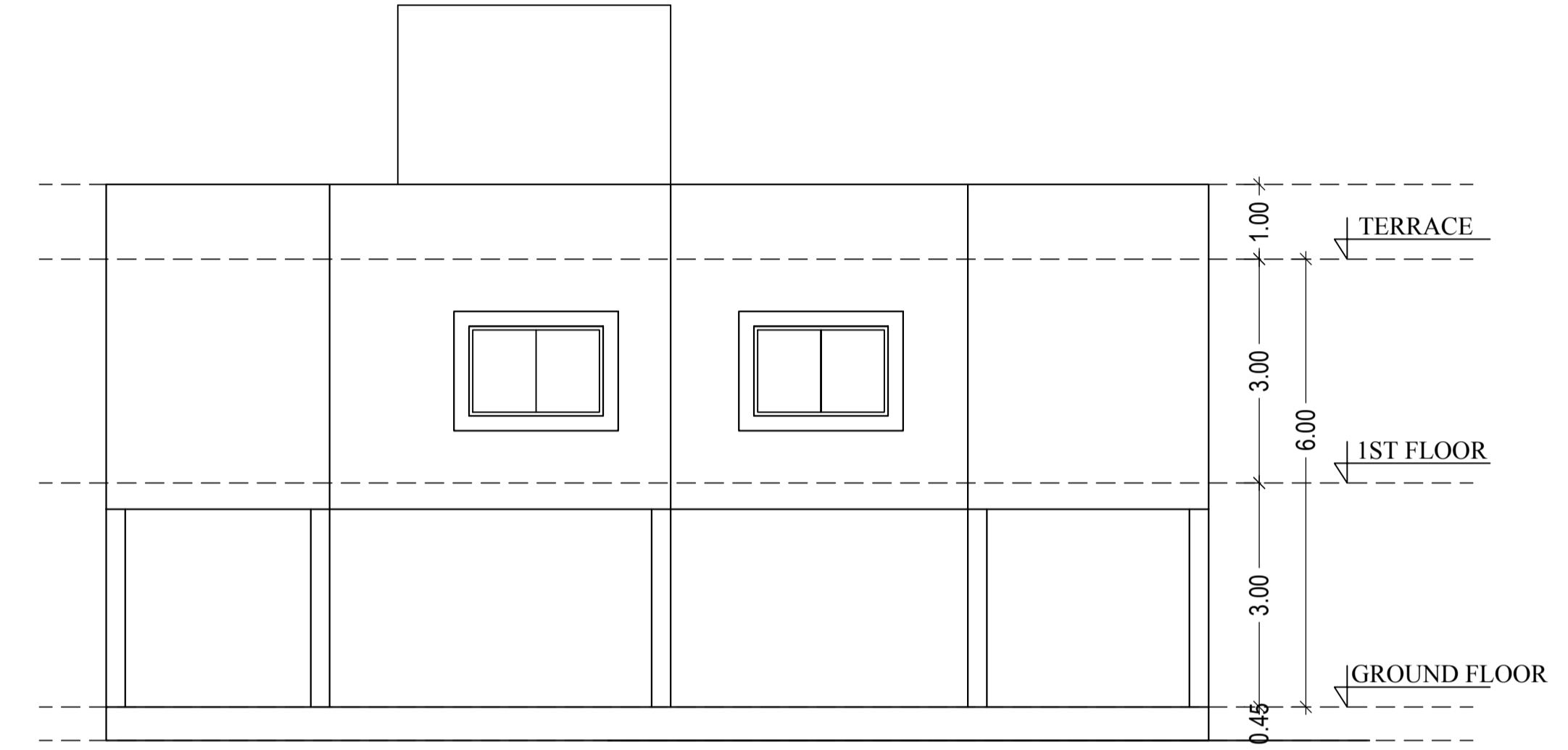


LOCATION PLAN
N.T.S

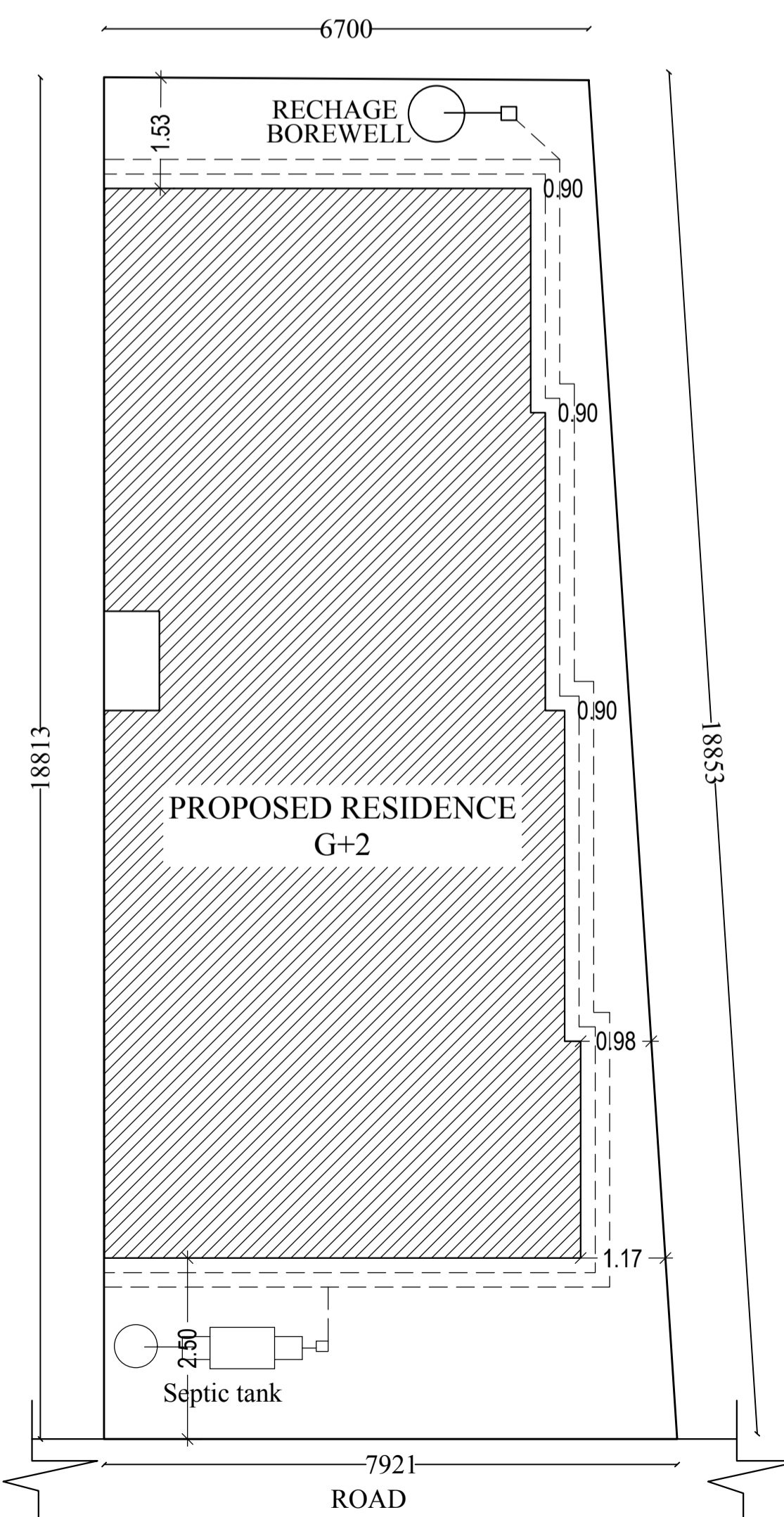


FOUNDATION DETAILS (ISOLATED R.C.C FOOTING)

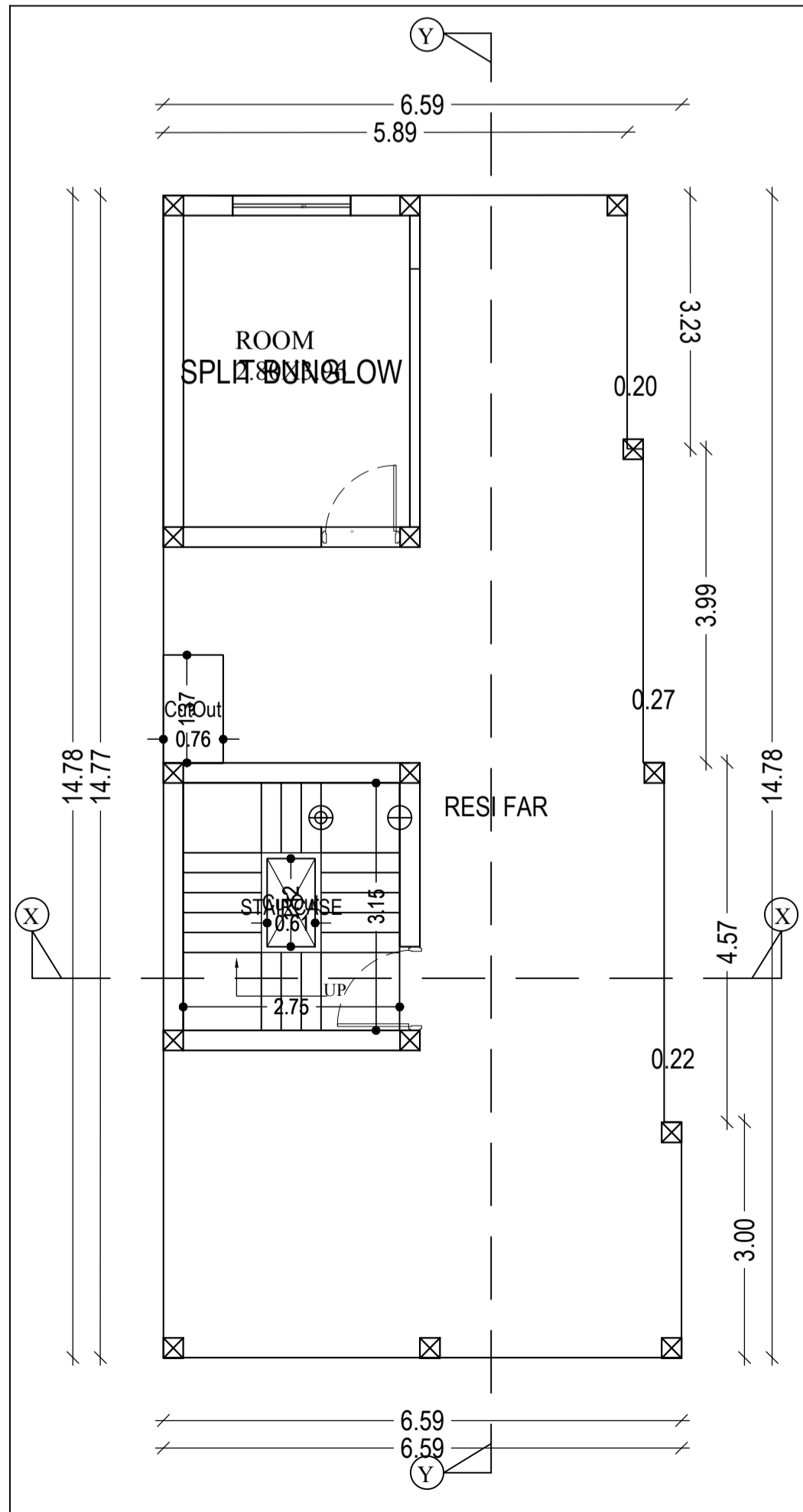
FOUNDATION DETAIL
N.T.S



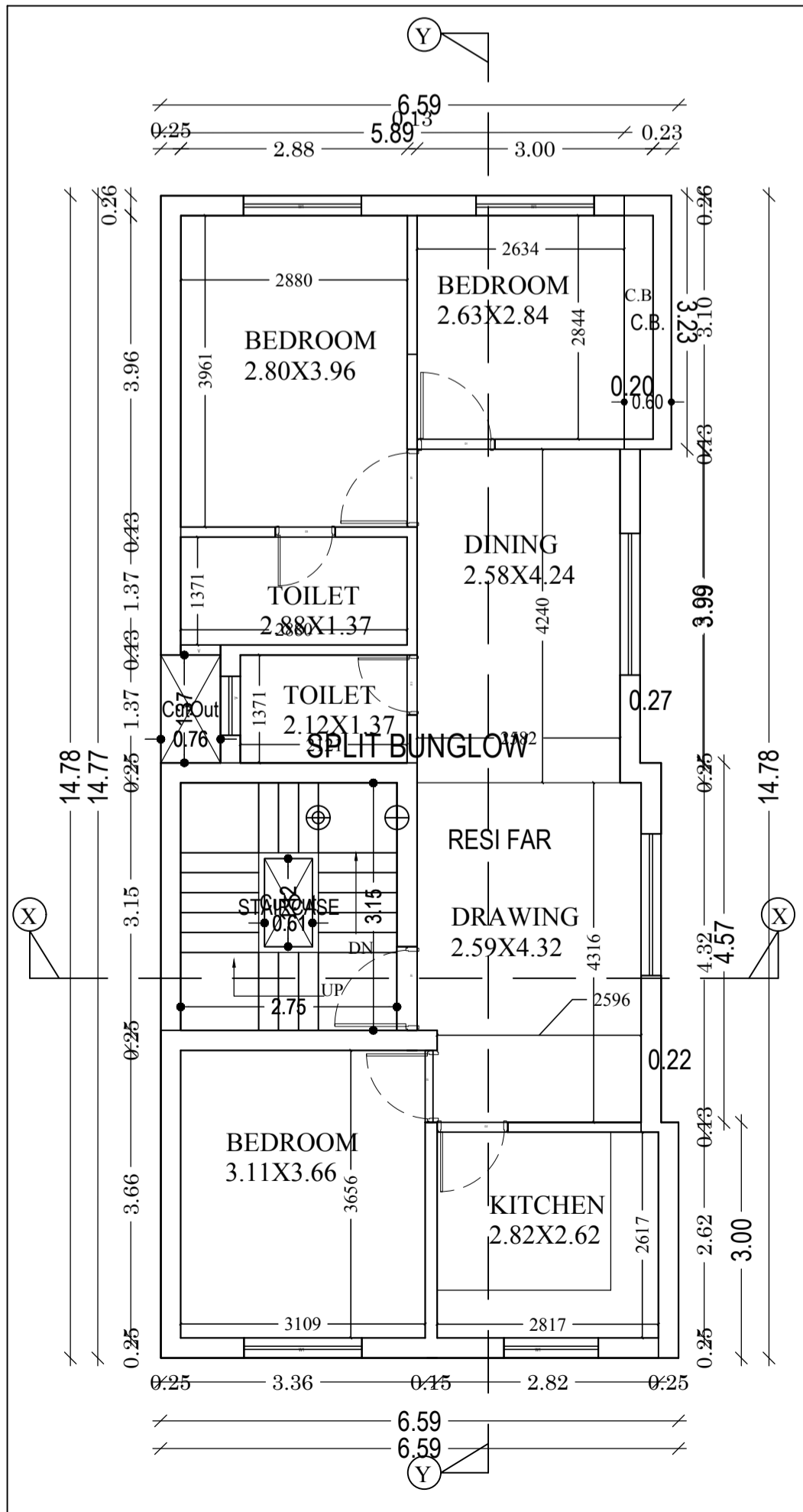
RIGHT SIDE ELEVATION



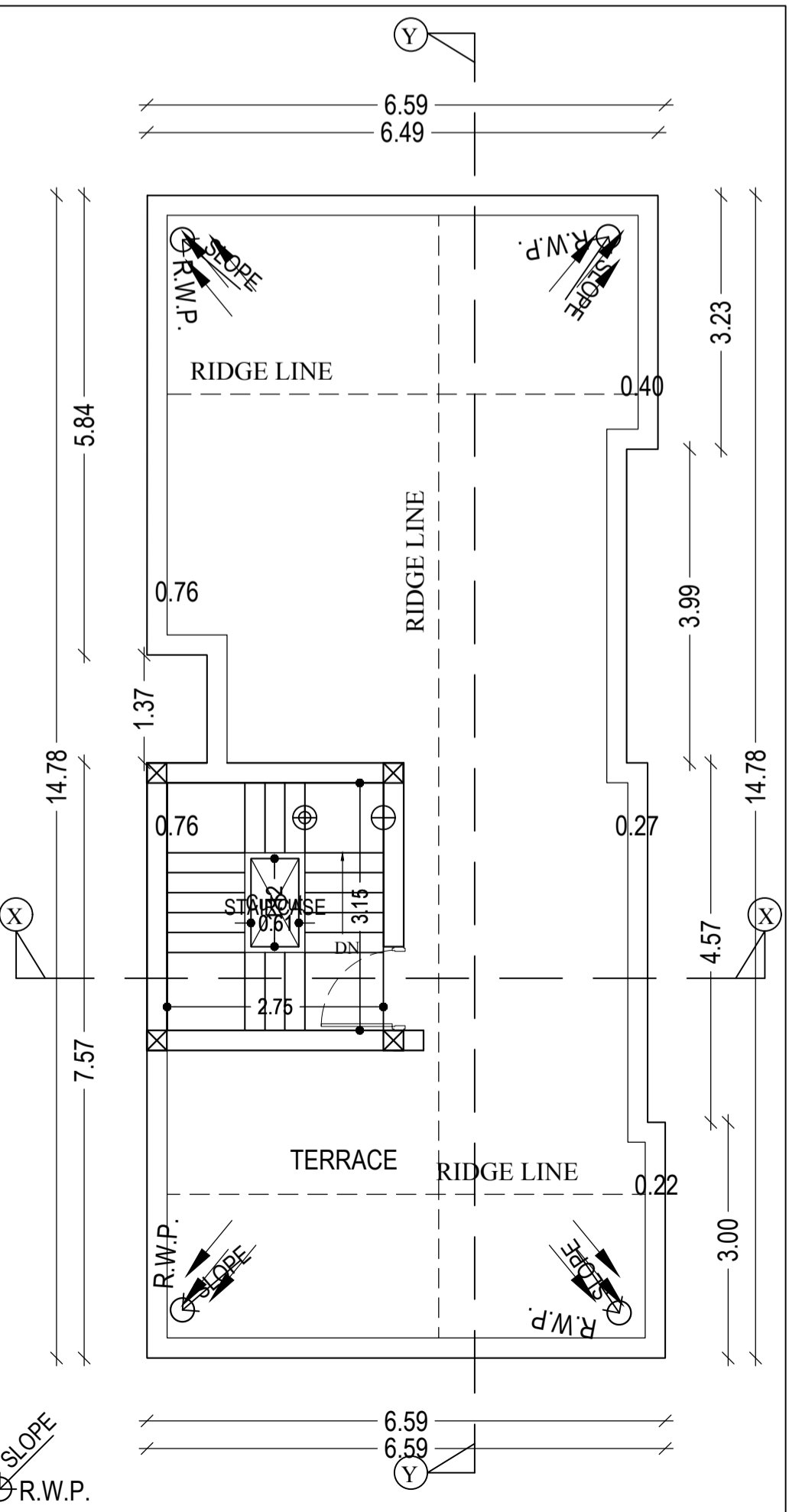
SITE PLAN



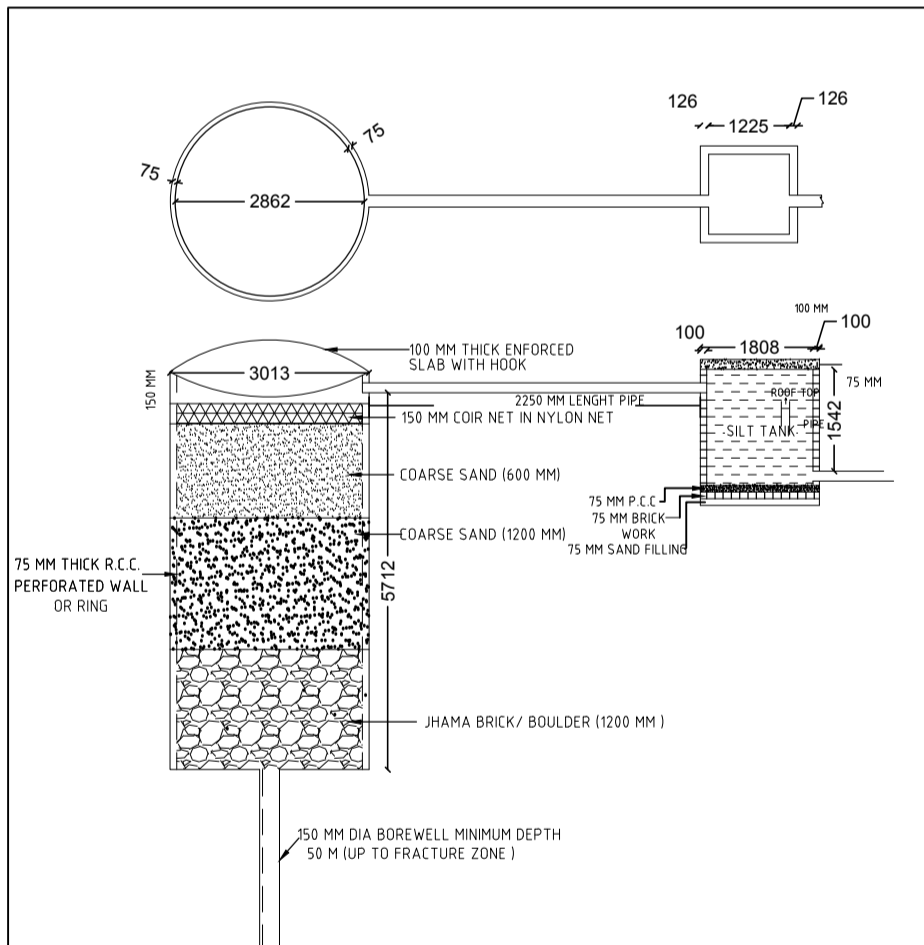
GROUND FLOOR PLAN



1st FLOOR PLAN

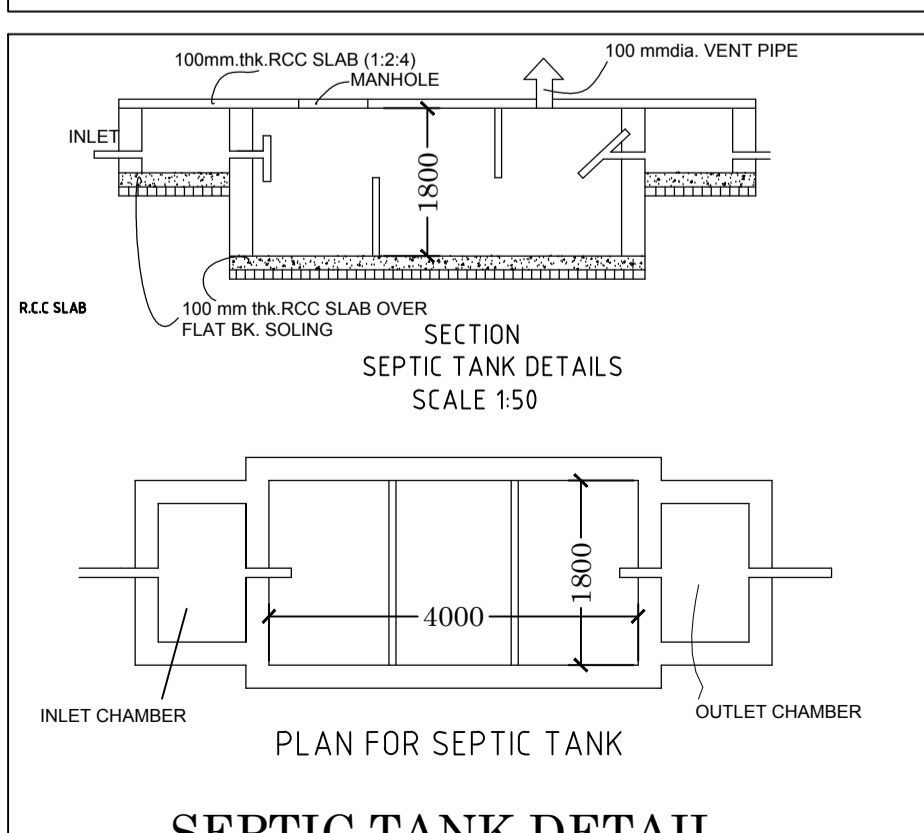


TERRACE FLOOR PLAN



DETAILS OF GROUND WATER RECHARGING PIT WITH SILT TANK

N.T.S



SEPTIC TANK DETAIL

N.T.S

AS MENTIONED	S.H. NO.	1 / 1	
--------------	----------	-------	--

SIGNATURE OF ARCHITECT SIGNATURE OF OWNER