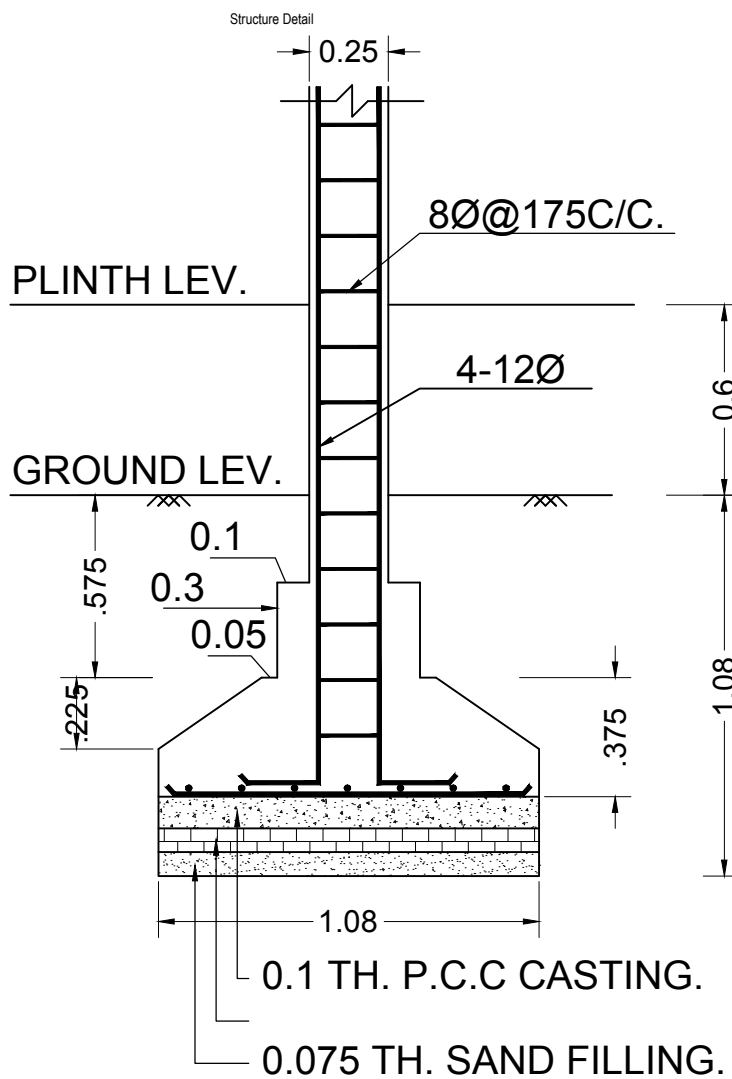


FOUNDATION PLAN OF CLOUMN

SCALE=1:0.25



SECTION:-(X-X)