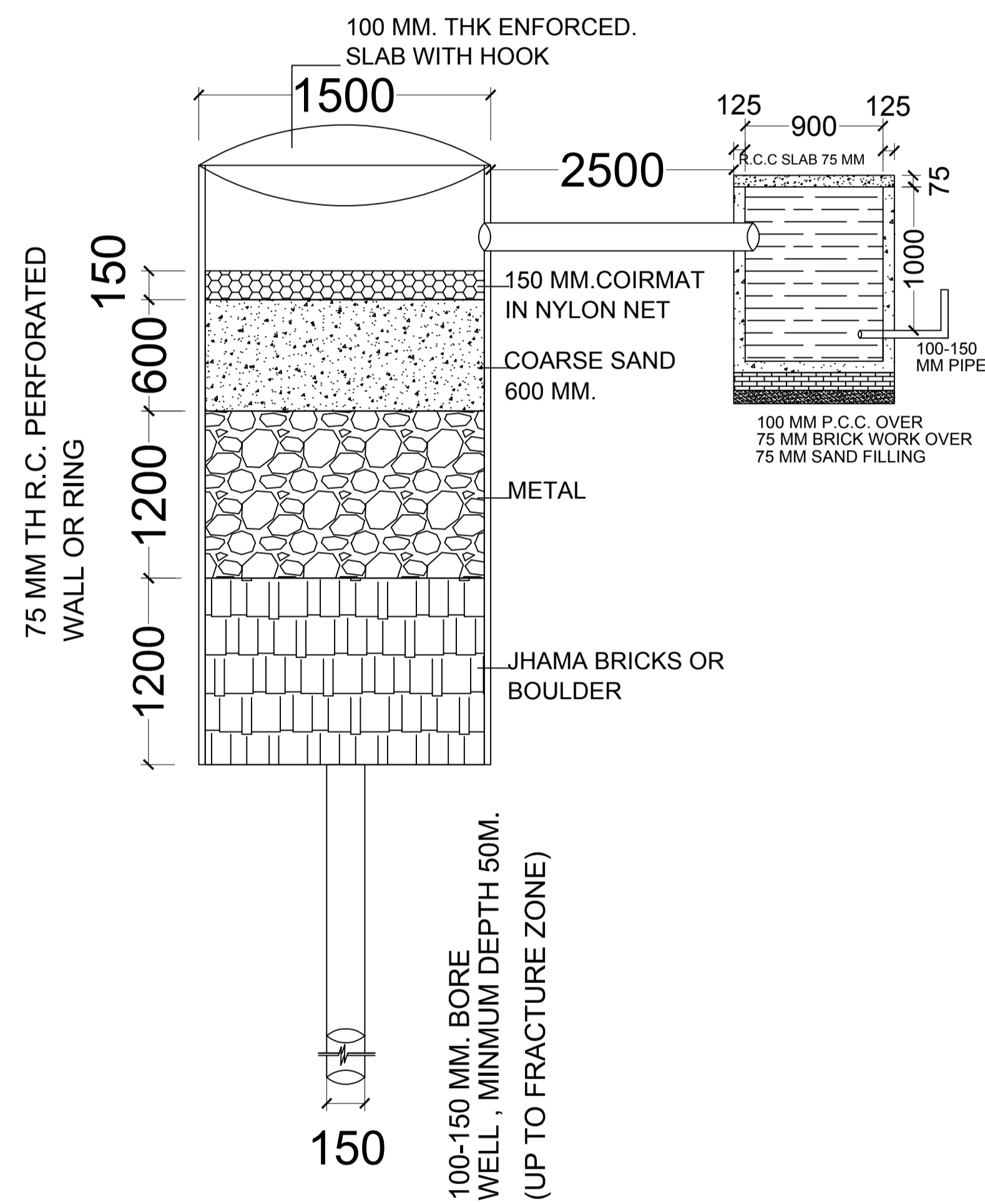
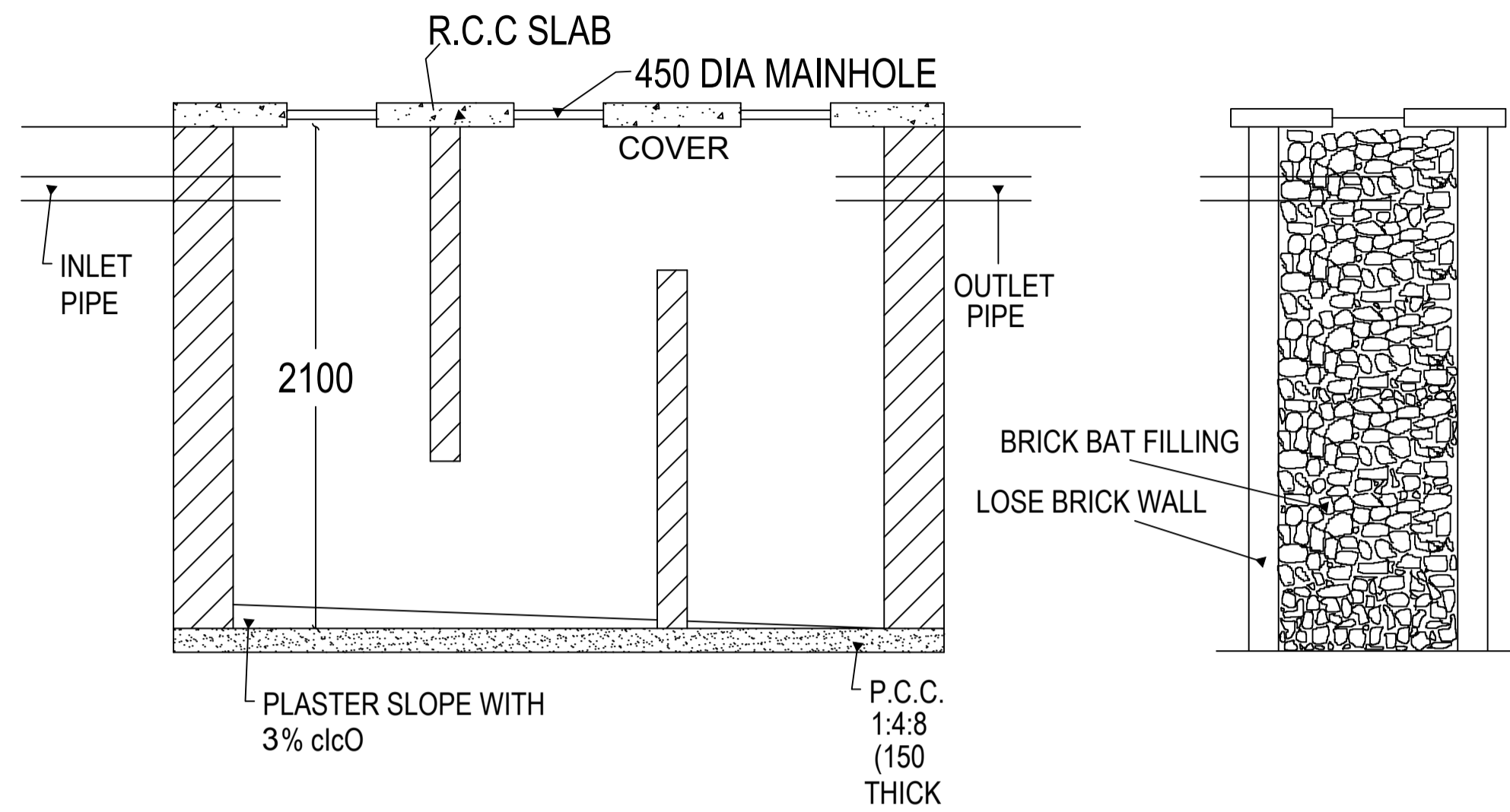


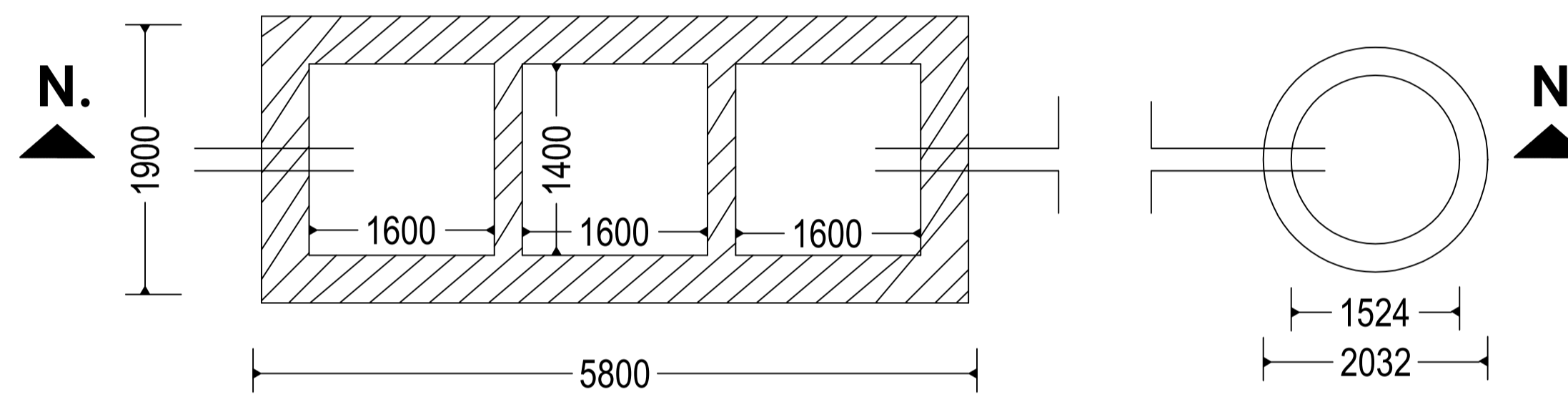
**DETAIL OF GROUND WATER RECHARGING PIT WITH SLIT TANK**



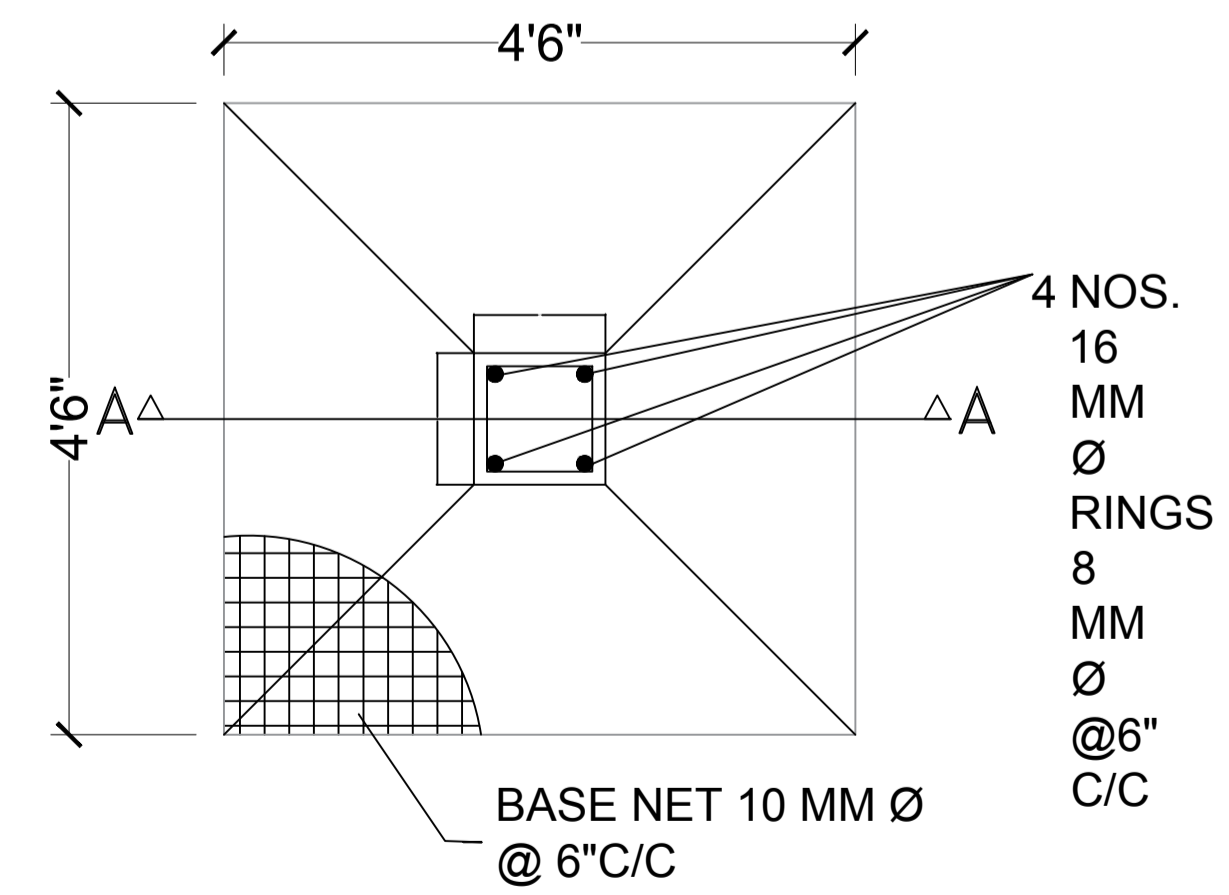
**SECTION AT A-A (SCALE 1:50)**



**SECTION N.-N.**



**DETAIL OF SEPTIC TANK & SOAKPIT.**



**PLAN OF COLUMN FOUNDATION**

SCALE= 1:50

10"