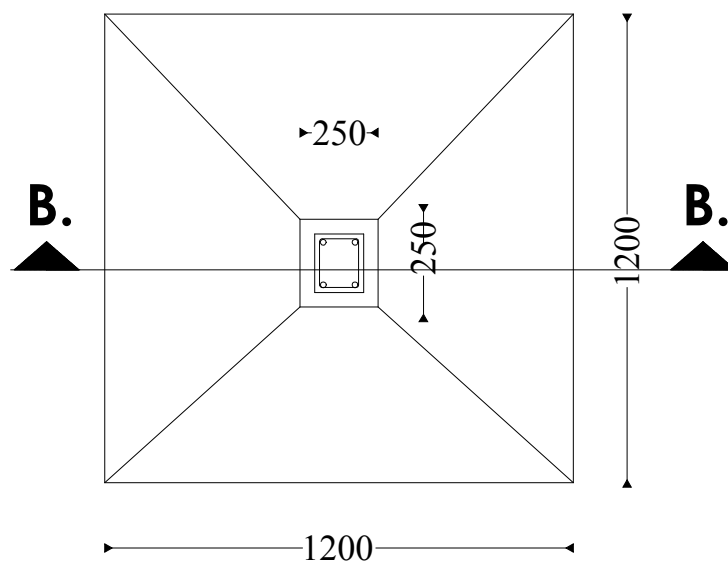


SECTION B-B



DETAIL OF FOUNDATION

Structure Detail