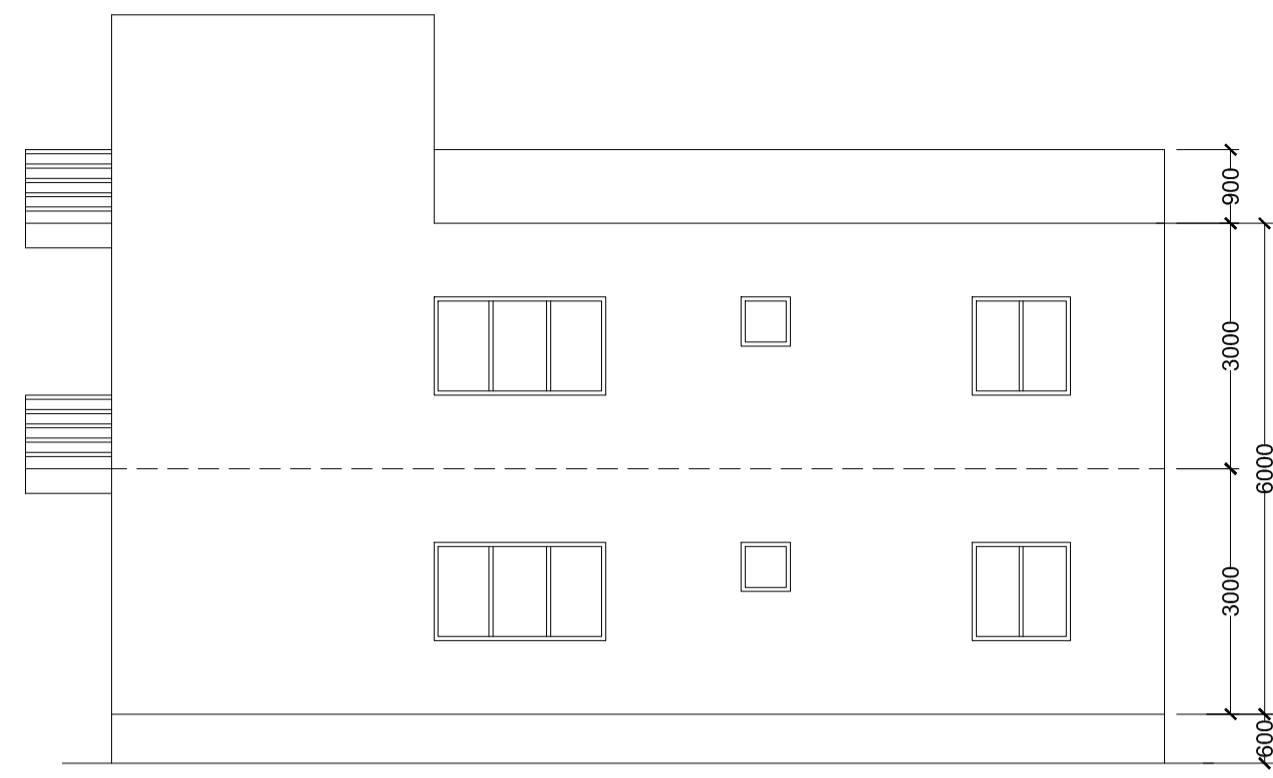
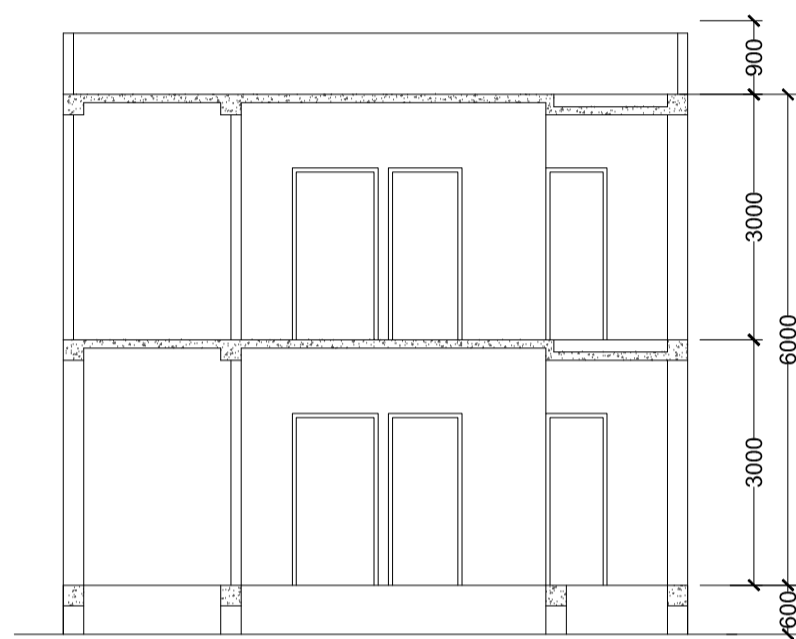


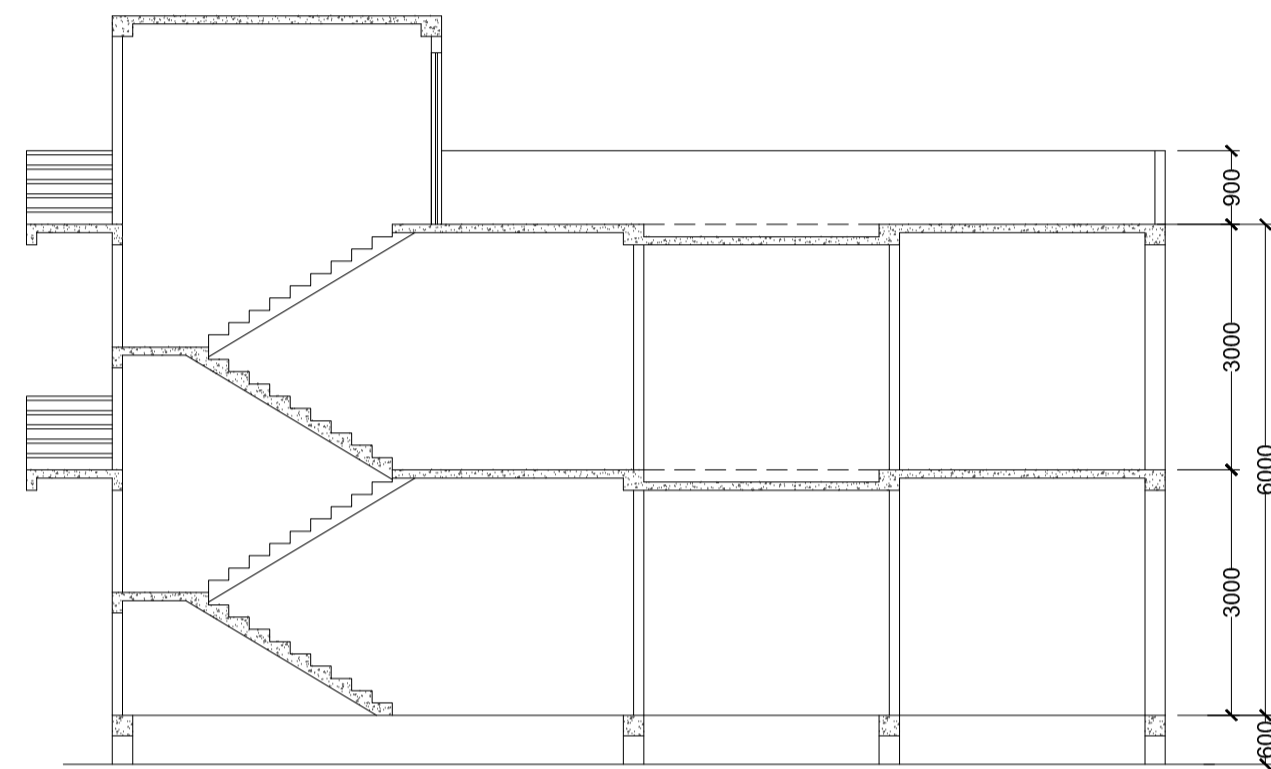
FRONT ELEVATION
Scale - 1:100



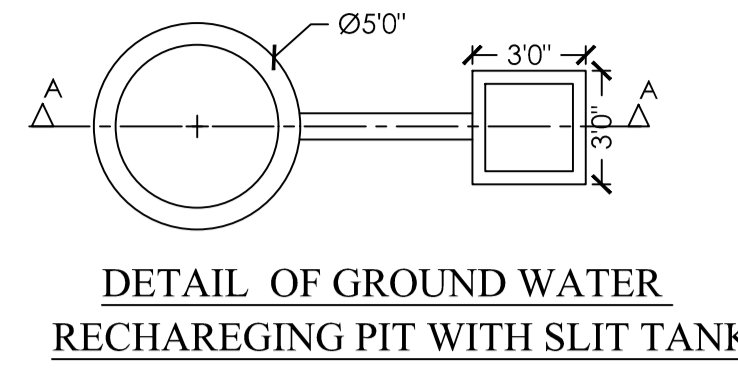
RIGHT SIDE ELEVATION
Scale - 1:100



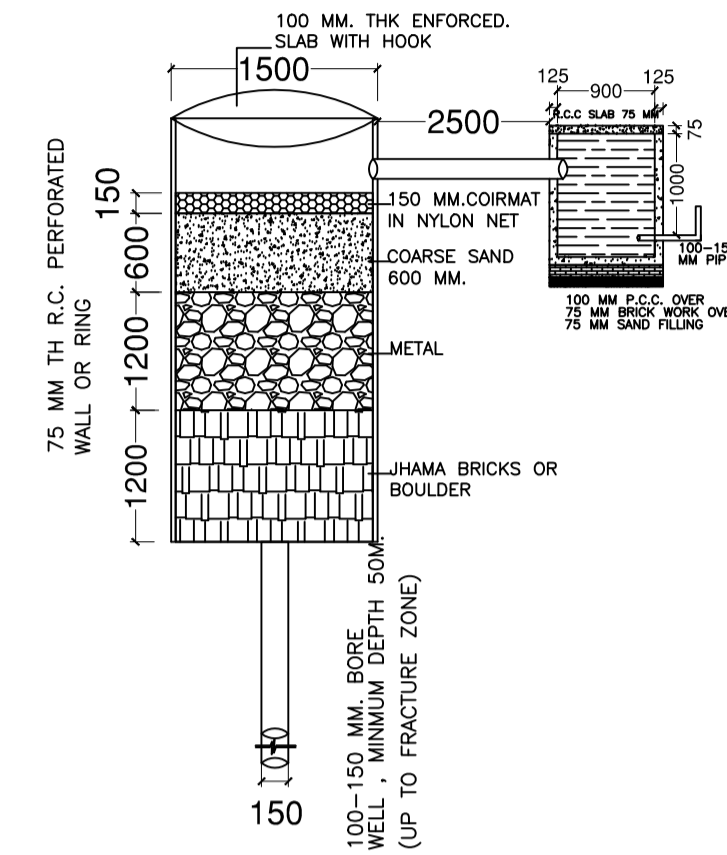
SECTION A-A
Scale - 1:100



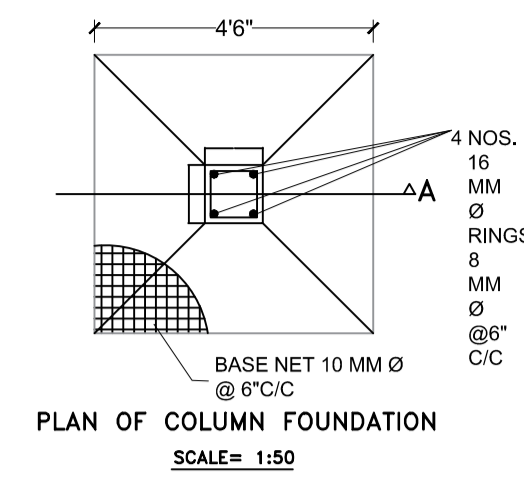
SECTION B-B
Scale - 1:100



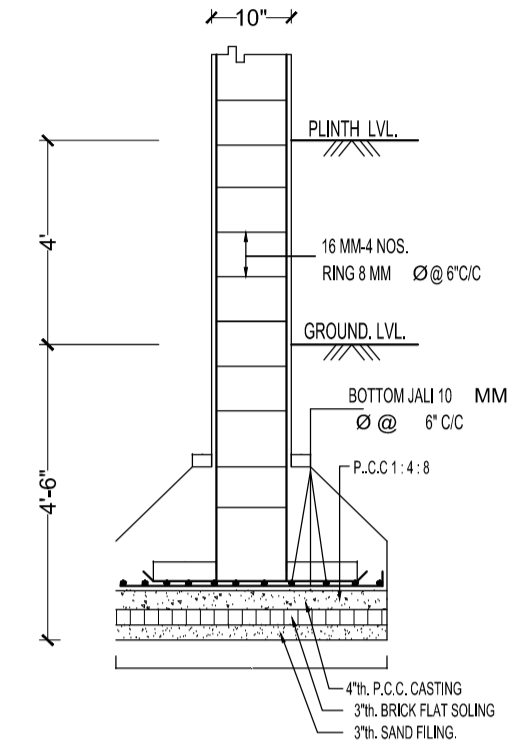
DETAIL OF GROUND WATER
RECHARGING PIT WITH SLIT TANK



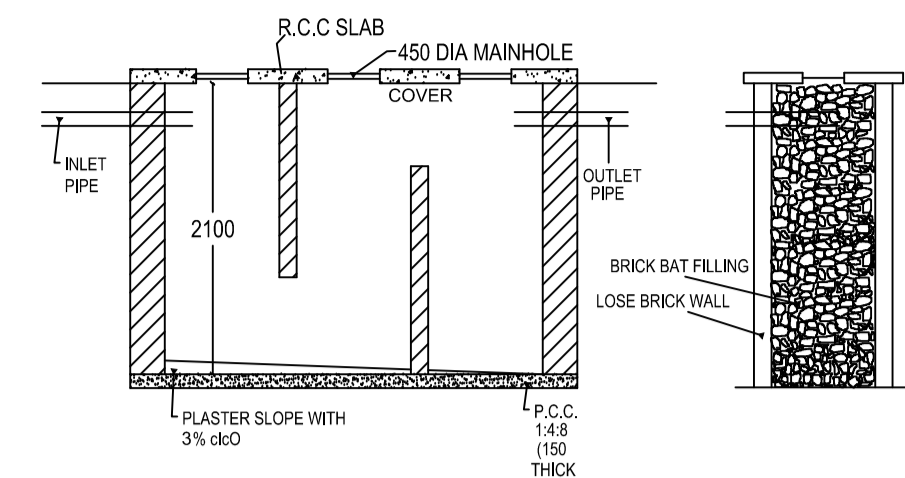
SECTION AT A-A (SCALE 1:50)



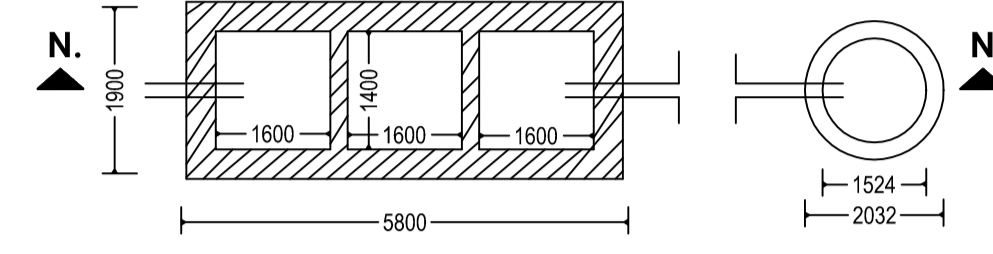
PLAN OF COLUMN FOUNDATION
SCALE= 1:50



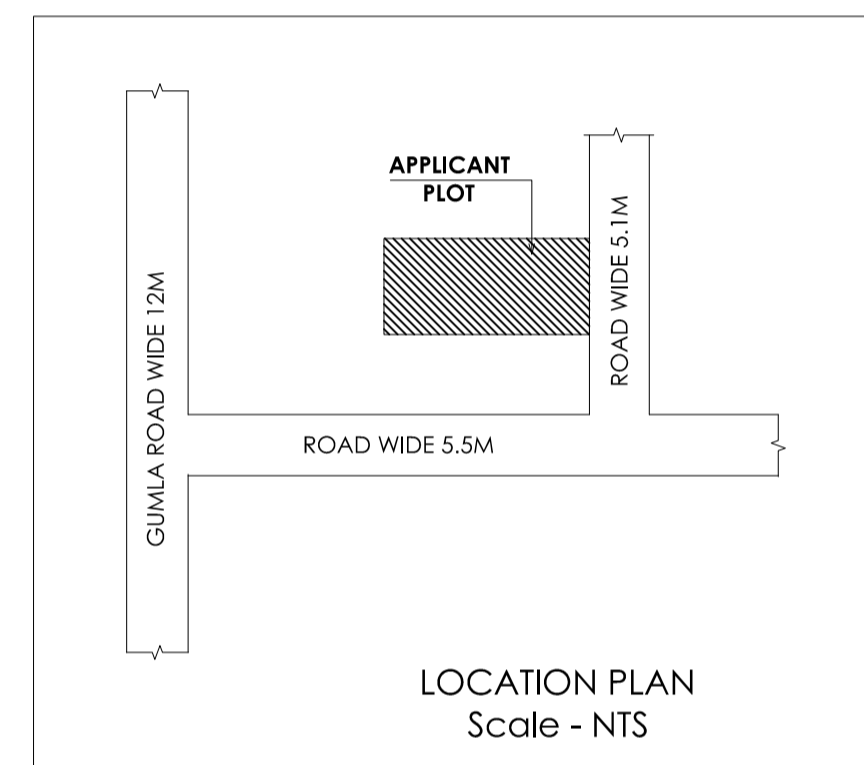
SECTION ON A-A
SCALE= 1:50



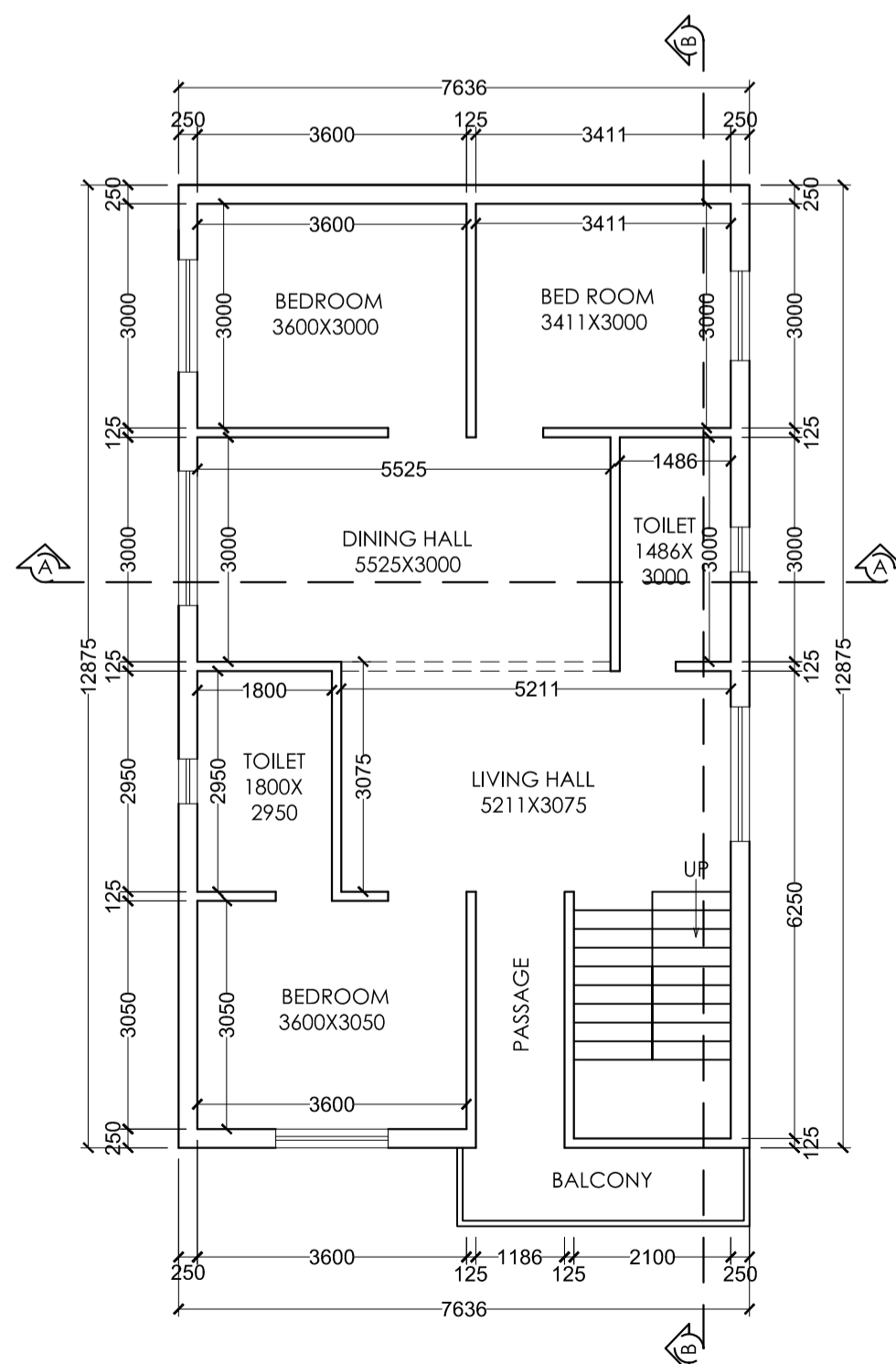
SECTION N-N.



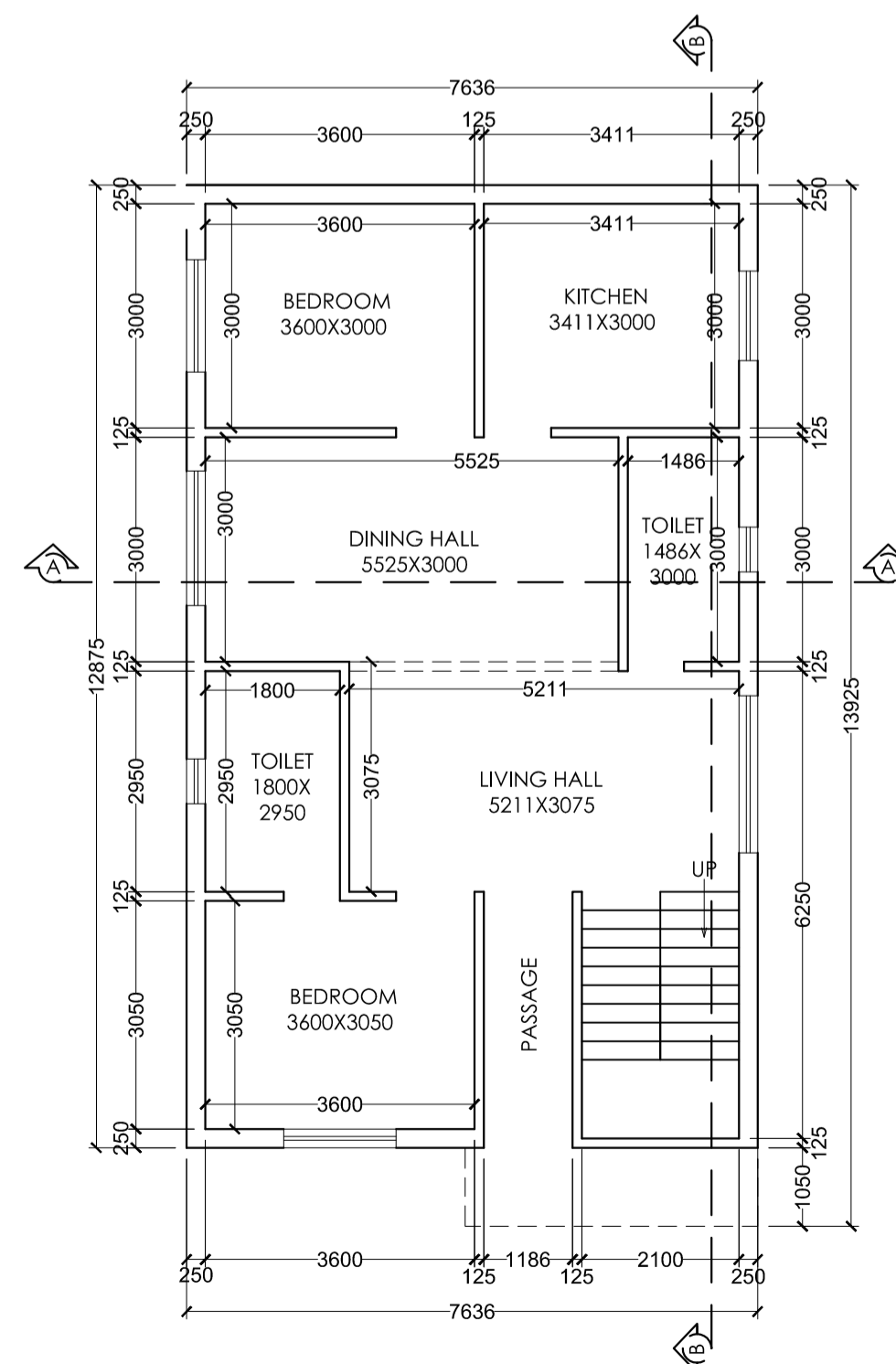
DETAIL OF SEPTIC TANK & SOAKPIT.



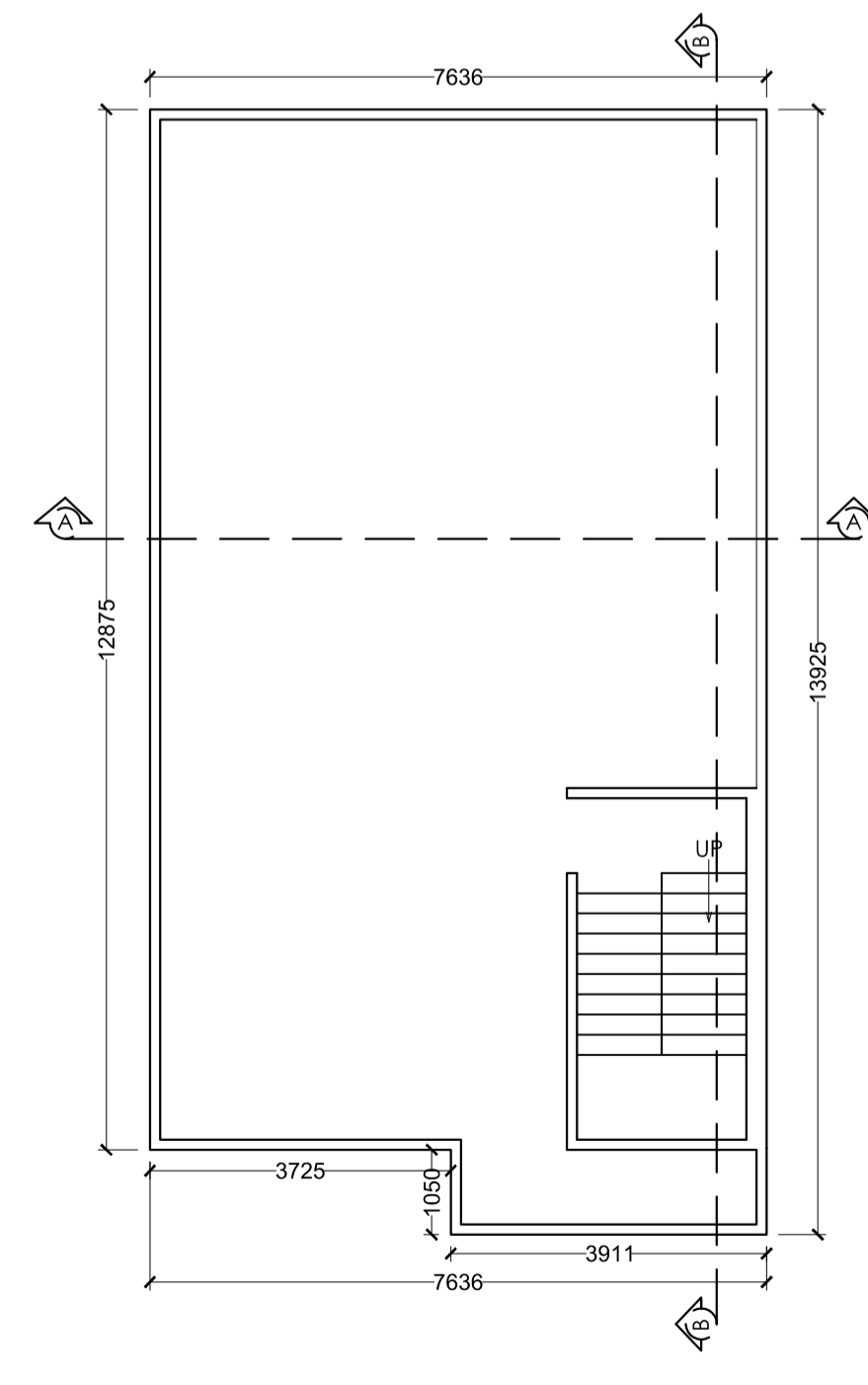
LOCATION PLAN
Scale - NTS



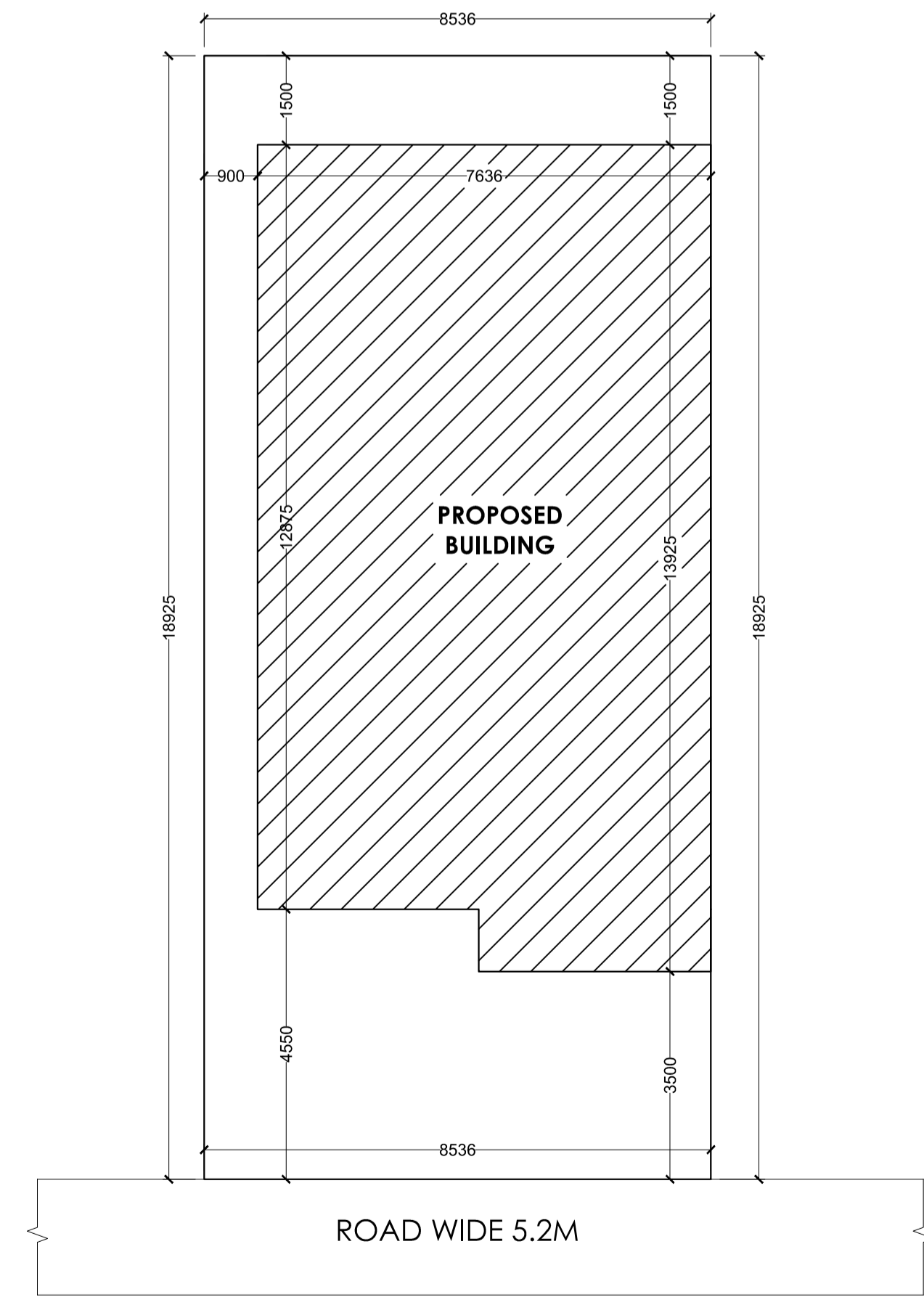
GROUND FLOOR PLAN
Scale - 1:100



FIRST FLOOR PLAN
Scale - 1:100



TERRACE FLOOR PLAN
Scale - 1:100



ROAD WIDE 5.2M

SITE PLAN
Scale - 1:100

General notes	
1	ALL DIMENSION ARE IN MILLIMETRES UNLESS OTHERWISE STATED.
2	NO DIMENSION IS TO BE SCALED OFF THE DRAWING.
3	DRAWINGS TO BE READ IN CONJUNCTION WITH ALL RELEVANT DRAWINGS & SPECIFICATIONS.
4	REFER WRITTEN DIMENSIONS ONLY.
5	DOORS AND WINDOW FRAME NOT TO BE FIXED ALONG WITH BRICK WORK.
6	INTERNAL PLASTER SHOULD BE 12MM THICK AND EXTERNAL PLASTER IS 25MM THICK.
7	FOUNDATION DEPTH UPTO GOOD SOIL.
8	CEMENT MORTAR OF MIX (1:6) FOR ENTIRE STRUCTURE AND PLASTER WORK.
9	SEPTIC TANK WILL BE FLUSHING SYSTEM.
10	ALL REINFORCEMENT SHALL BE OF TOR STEEL OF GRADE FY-415.
11	GRADE OF CONCRETE SHALL BE M-20

TYPE	WIDTH	HEIGHT	SILL LVL	DIScription
D	1000	2100	NILL	SINGLE SHUTTER FLUSH DOOR
D1	1000	2100	NILL	" "
D2	900	2100	NILL	" "
D3	700	2100	NILL	" "
CG	1500	2100	NILL	STEEL CHANNEL GATE
W	1500	1200	900	4 LEAF GLAZED WIND
W2	1200	1200	900	" "
W3	900	1200	900	" "
V	600	300	2400	VENTILATOR

schedule of area	
PLOT AREA AS PER SITE	- 161.543 SQ.M.
AREA OF GROUND FLOOR	- 102.418 SQ.M.
AREA OF FIRST FLOOR	- 102.418 SQ.M.
AREA OF SECOND FLOOR	- 102.418 SQ.M.
TOTAL BUILD UP AREA	- 307.254 SQ.M.
% OF COVERED AREA	- 63.39%
TOTAL F.A.R. ACHIEVED	- 1.90

PROPOSED RESIDENTIAL BUILDING PLAN OF ARADHANA, W/O NIRAJ KUMAR, PLOT NO. :-1267, KHATA NO. :- 386, THANA NO.:-194, WARD NO. :- 21, AREA :- 4 DECIMAL. MAUZA :- LOHARDAGA. DIST - LOHARDAGA - 835302, STATE - JHARKHAND

owner
architect
AH GROUP
Architecture & Design
New Road, Lohardaga (Jharkhand)
Mobile No: 9930426442
E-mail:- mdataul.haque265@gmail.com

ISSUE ONLY FOR CLIENT		
SCALE	DATE	SHEET NO.
1 : 100		01 OF 01

CLIENT ENGINEER / ARCHITECT