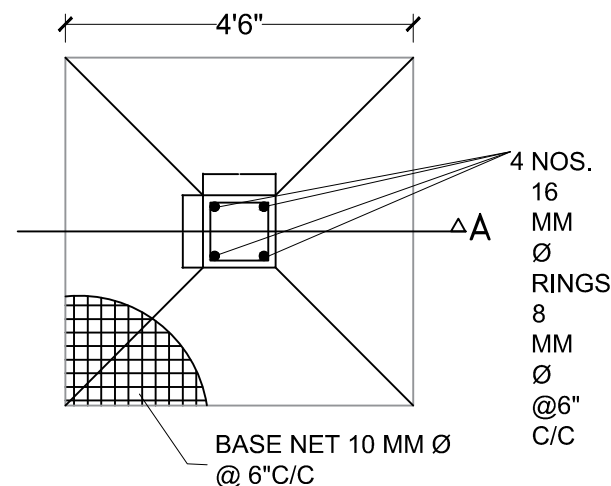
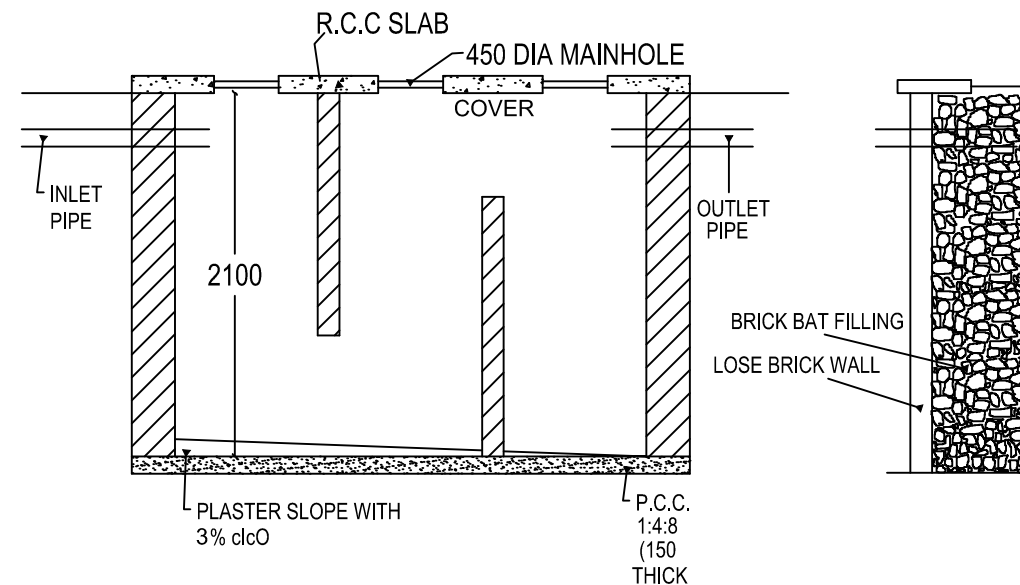


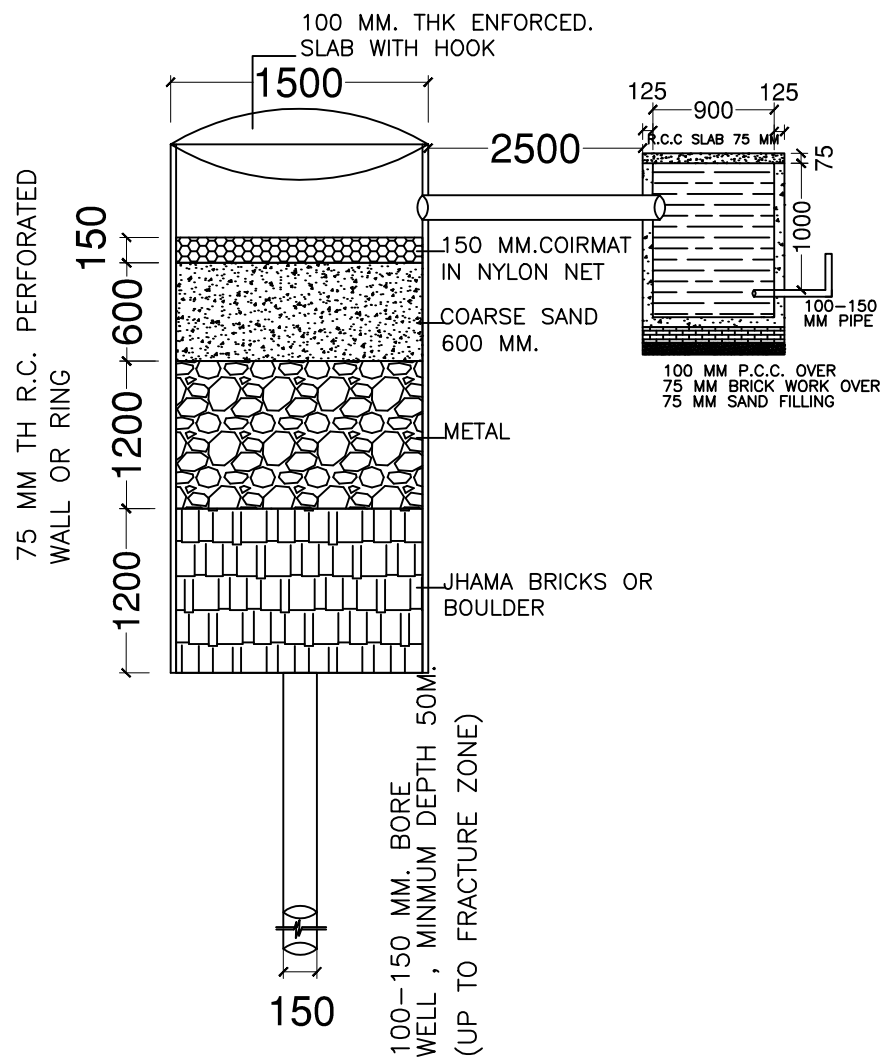
**DETAIL OF GROUND WATER RECHAREGING PIT WITH SLIT TANK**



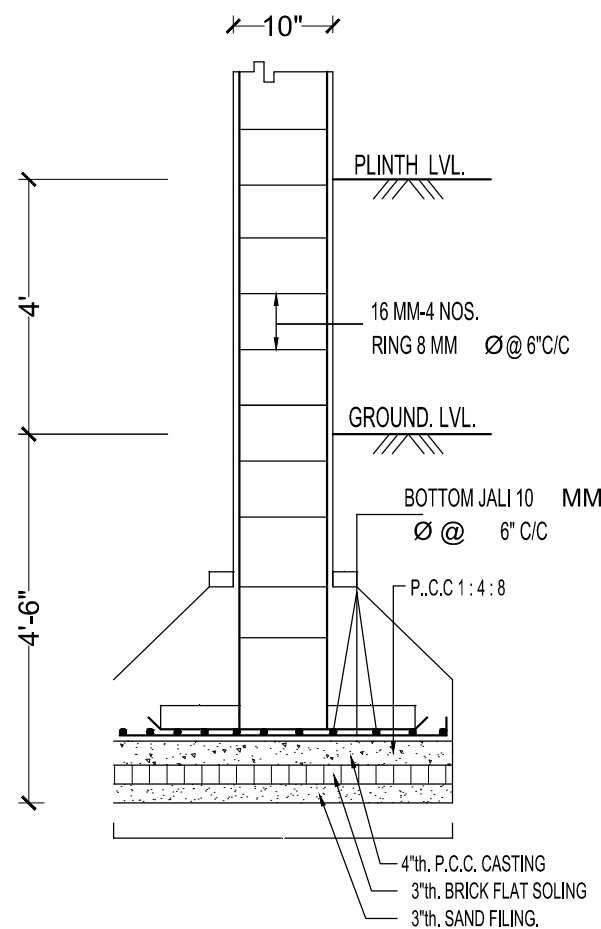
**PLAN OF COLUMN FOUNDATION**  
SCALE= 1:50



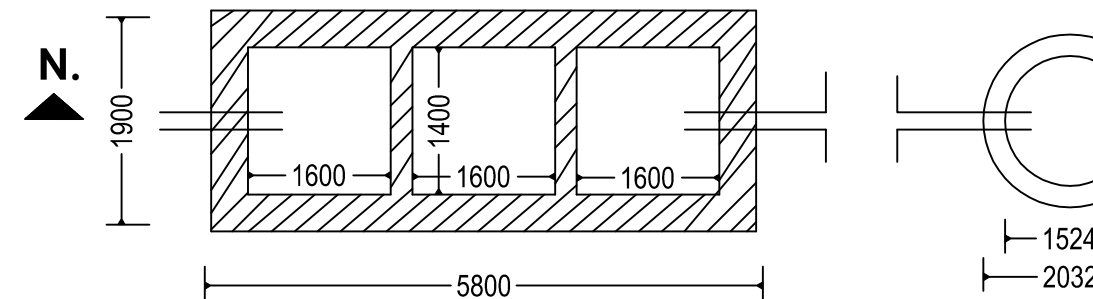
**SECTION N.-N.**



**SECTION AT A-A (SCALE 1:50)**



**SECTION ON A-A**  
SCALE= 1:50



**DETAIL OF SEPTIC TANK & SOAKPIT.**