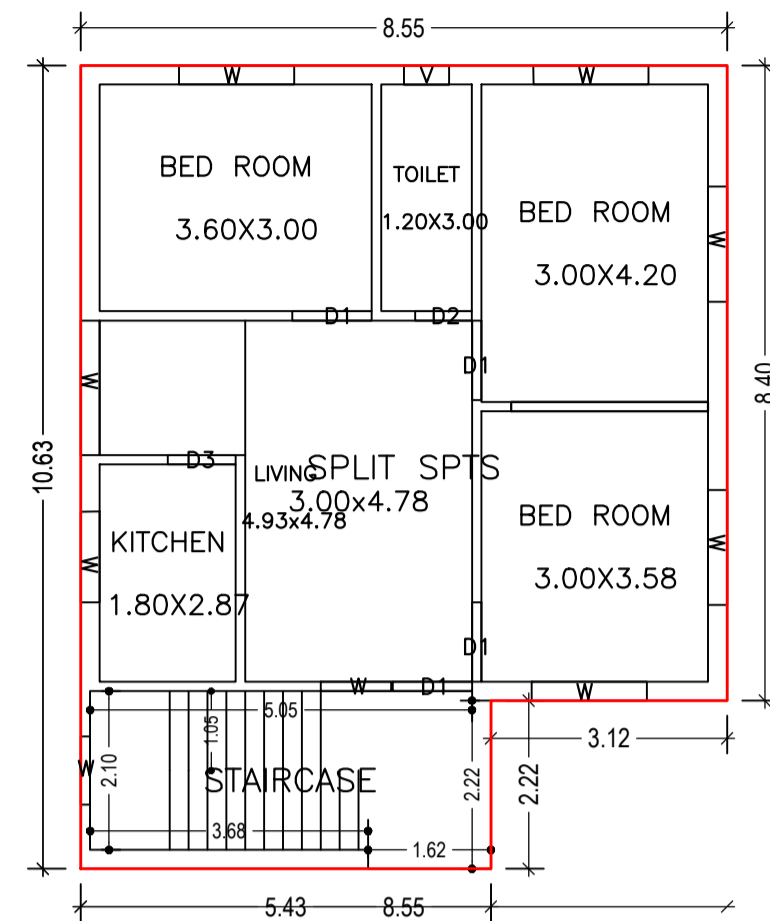
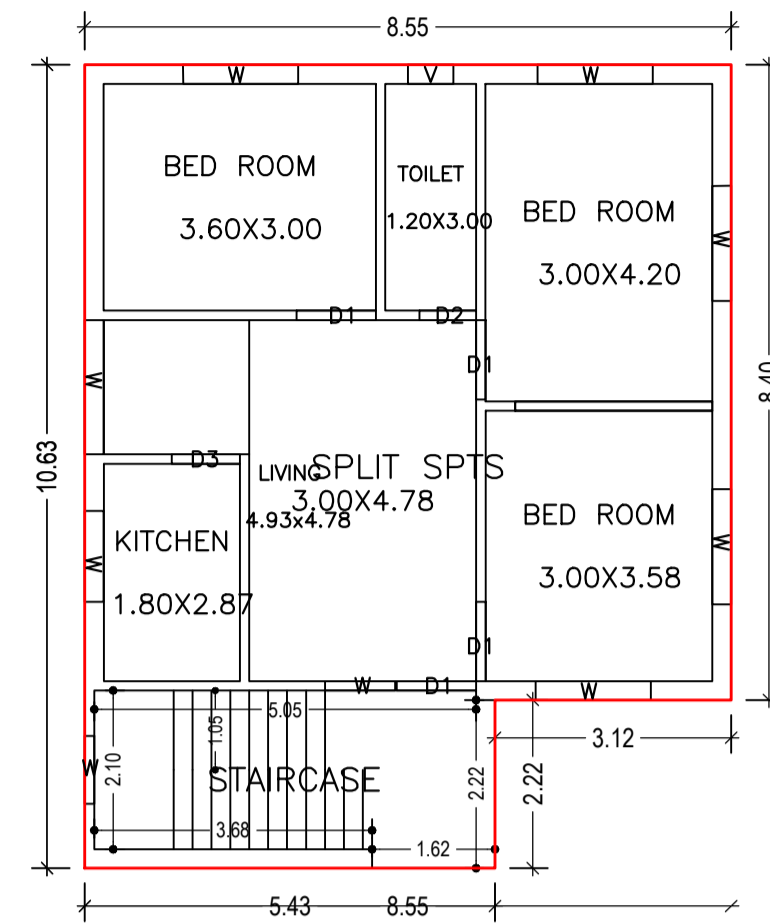


Proposal Basic Information

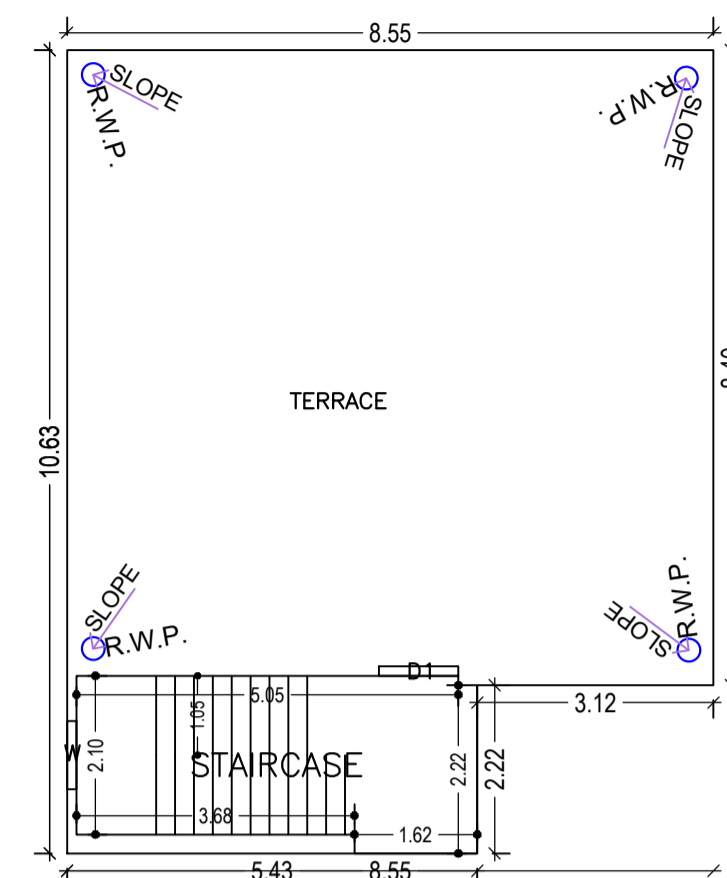
Proposal File No.	LNP/BP/0055/W07/2021
Owner Name	RUBY KHATOON
Khata No	114
Plot No	50
Village Name	Nadia
Use	Residential
SubUse	Bungalow/ Dwelling / Non Apartment



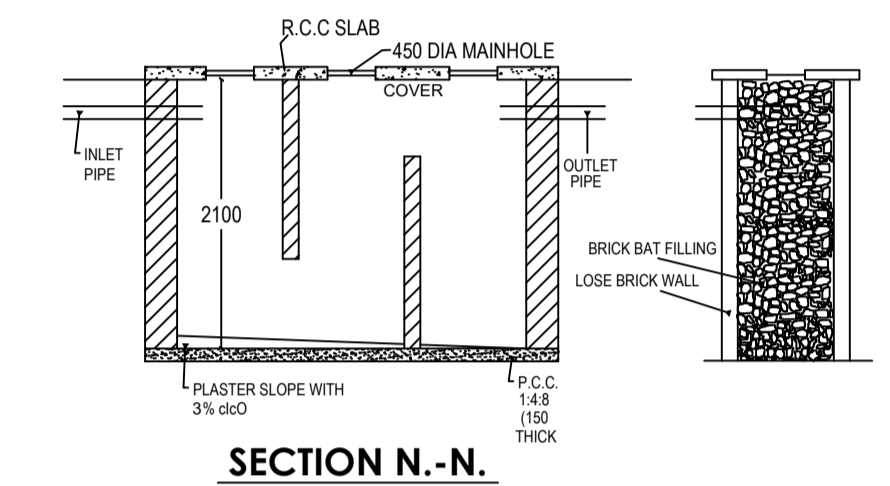
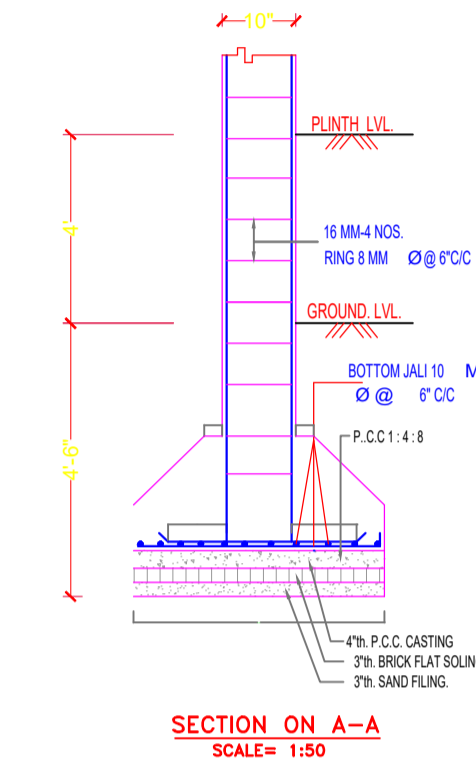
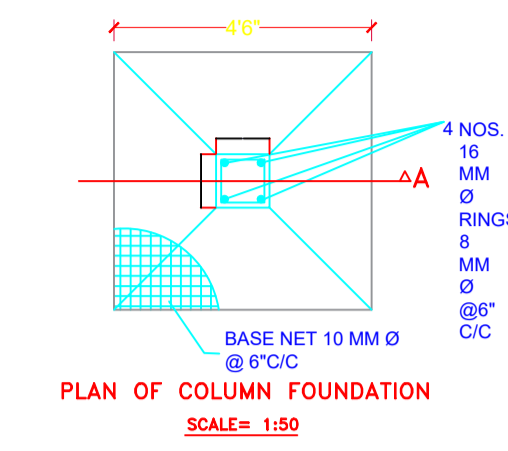
GROUND FLOOR PLAN (Proposed) (SCALE 1:100)



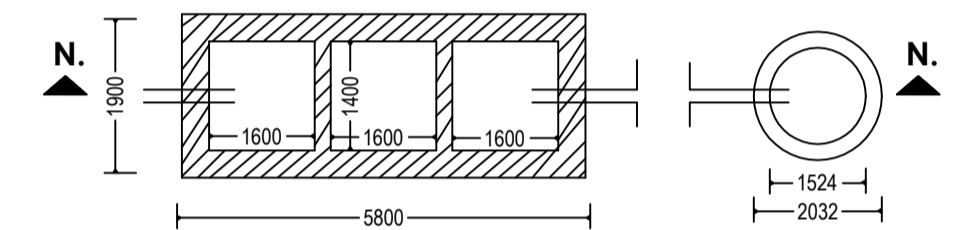
FIRST FLOOR PLAN (Proposed) (SCALE 1:100)



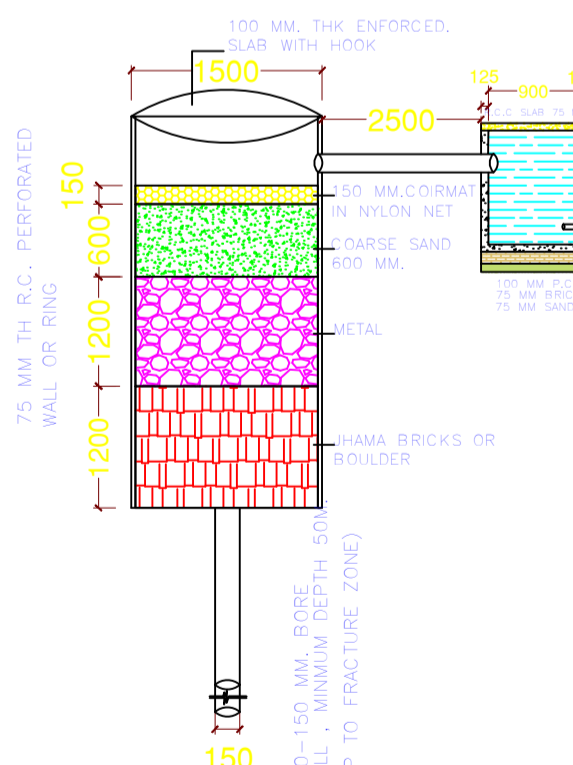
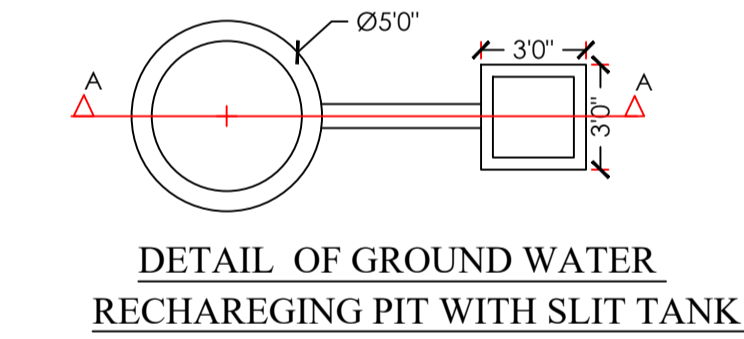
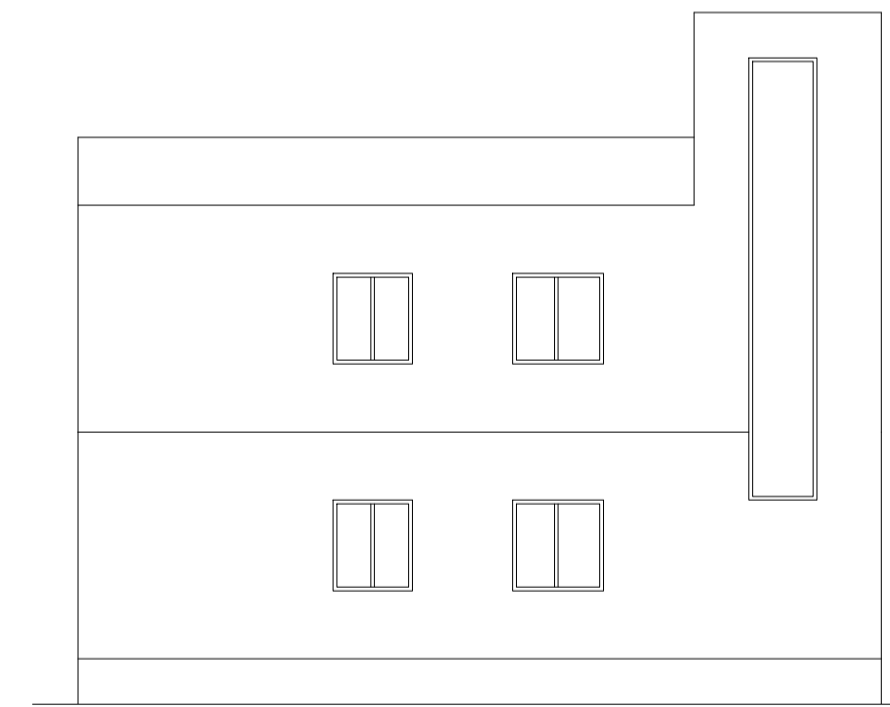
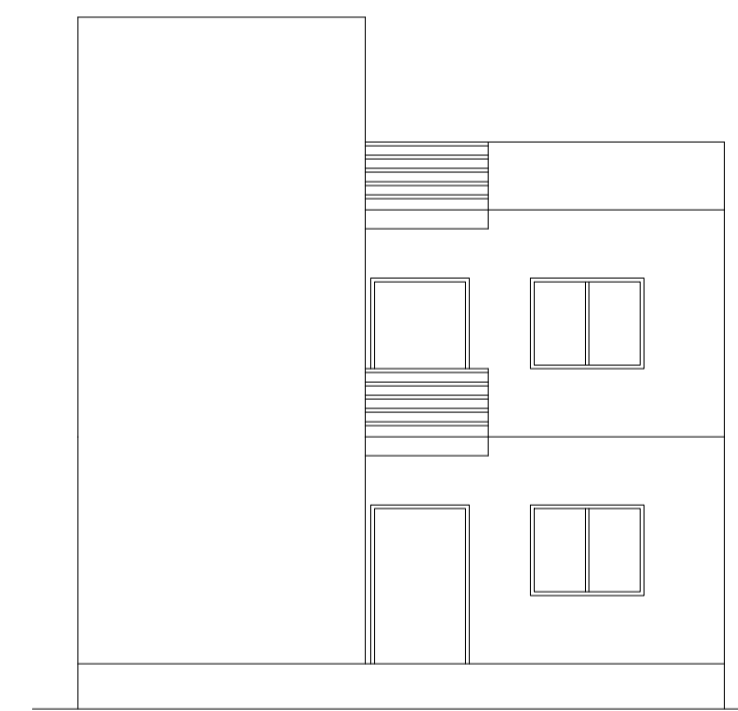
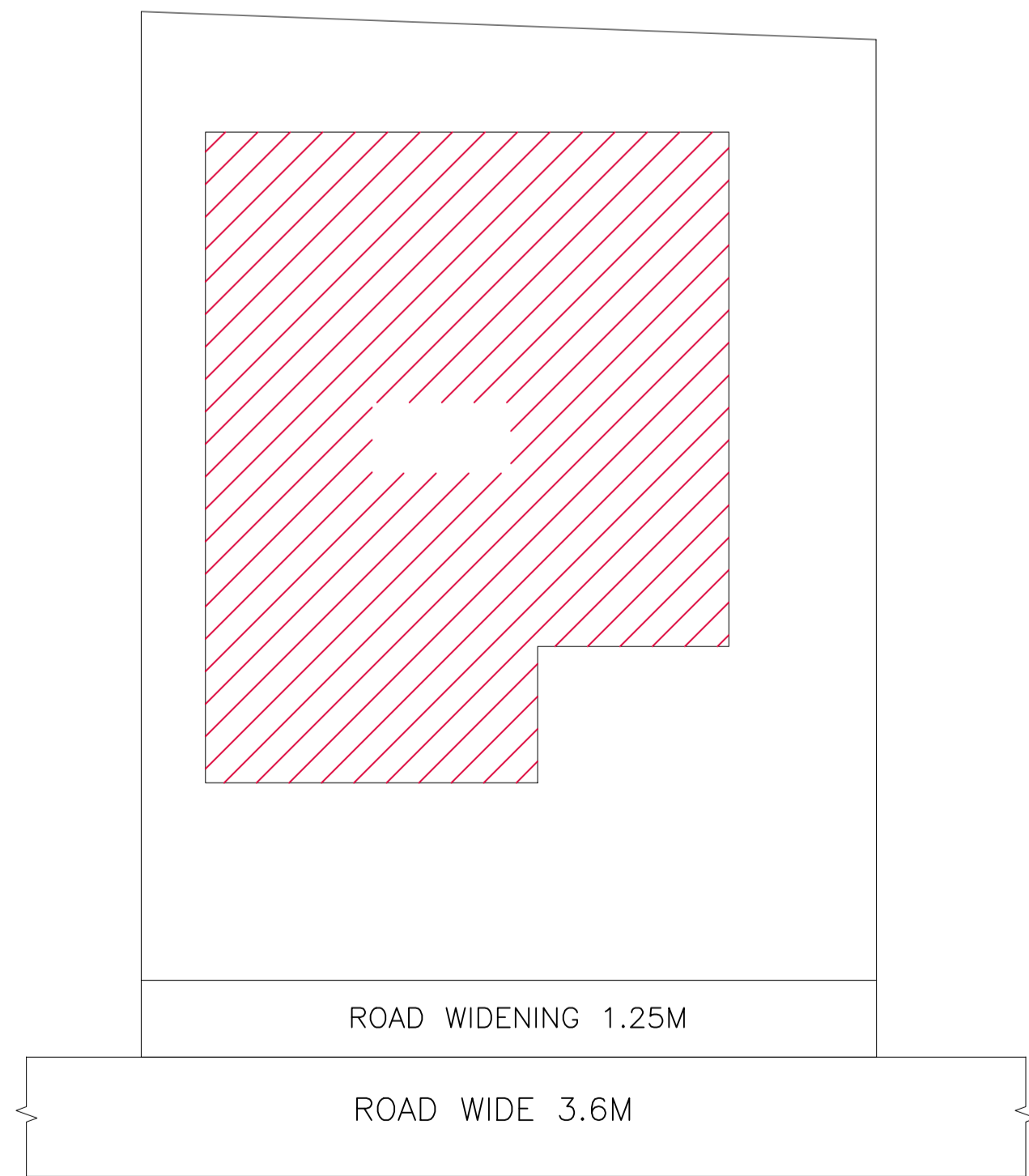
TERRACE FLOOR PLAN (SCALE 1:100)



SECTION N-N.



DETAIL OF SEPTIC TANK & SOAKPIT.



SECTION AT A-A (SCALE 1:50)

UnitBUA Table for Building :ABC (XYZ)

FLOOR	Name	UnitBUA Type	UnitBUA Area	Carpet Area	No. of Rooms	No. of Tenement
GROUND FLOOR PLAN	SPLIT SPTS	FLAT	167.79	167.14	6	1
FIRST FLOOR PLAN	SPLIT SPTS	FLAT	0.00	0.00	6	0
Total:	-	-	167.79	167.14	12	1

SCHEDULE OF DOOR:

BUILDING NAME	NAME	LENGTH	HEIGHT	NOS
ABC (XYZ)	D2	0.75	2.10	02
ABC (XYZ)	D3	0.90	2.10	02
ABC (XYZ)	D1	1.05	2.10	08

SCHEDULE OF WINDOW/VENTILATION:

BUILDING NAME	NAME	LENGTH	HEIGHT	NOS
ABC (XYZ)	V	0.60	1.20	02
ABC (XYZ)	W	0.90	1.20	02
ABC (XYZ)	W	0.93	1.20	02
ABC (XYZ)	W	1.20	1.20	02
ABC (XYZ)	W	1.52	1.20	10
ABC (XYZ)	W	1.78	1.20	02

Building :ABC (XYZ)

Floor Name	Total Built Up Area (Sq.mt.)	Proposed FAR Area (Sq.mt.) Res.	Total FAR Area (Sq.mt.)	Total Consumed Additional FAR Area (Sq.mt.)	Trmt (No.)
Ground Floor	83.89	83.89	83.89	83.89	01
First Floor	83.89	83.89	83.89	83.89	00
Terrace Floor	0.00	0.00	0.00	0.00	00
Total :	167.78	167.78	167.78	167.78	01
Total Number of Same Buildings :	1				
Total :	167.78	167.78	167.78	167.78	01



LTP NAME AND SIGNATURE	STRUCTURAL ENG'S NAME AND SIGNATURE	BUILDER NAME AND SIGNATURE	DIGITAL SIGNATURE
Ataul Haque LNP/ENG/001/2021			