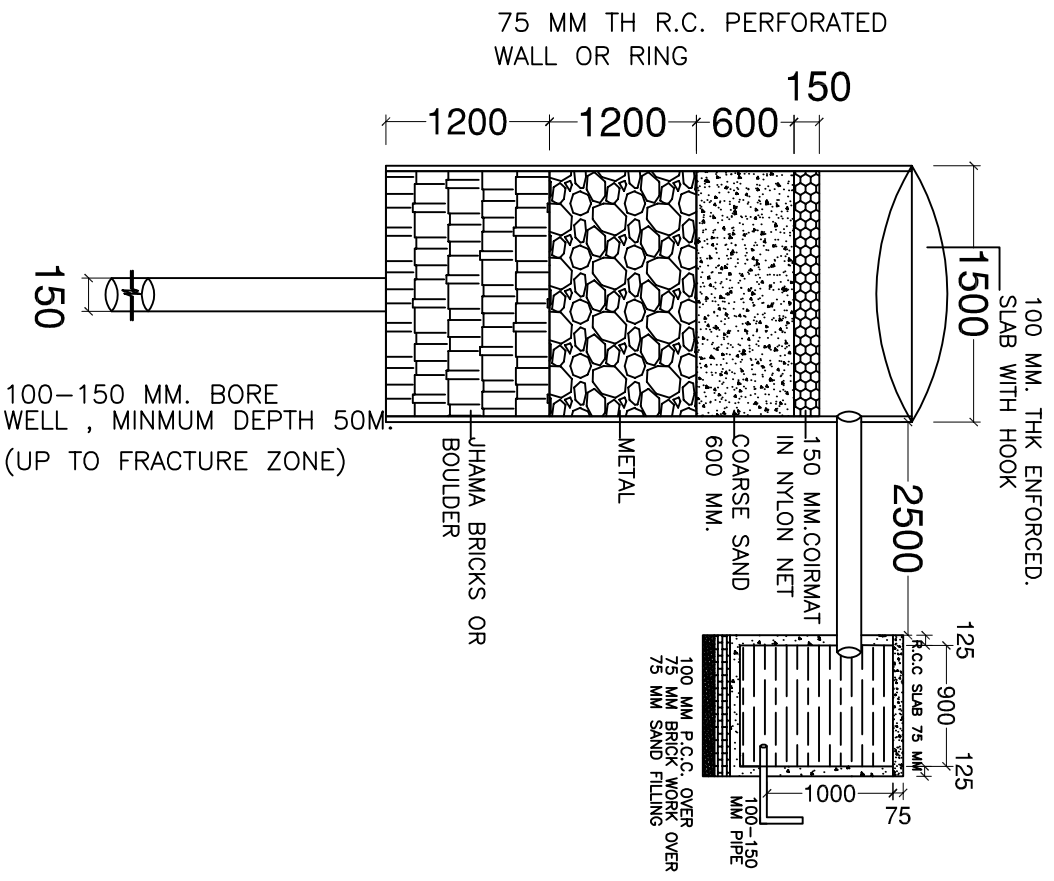
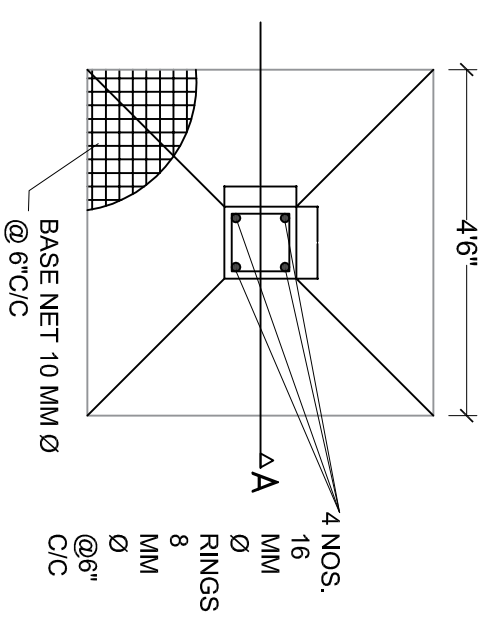


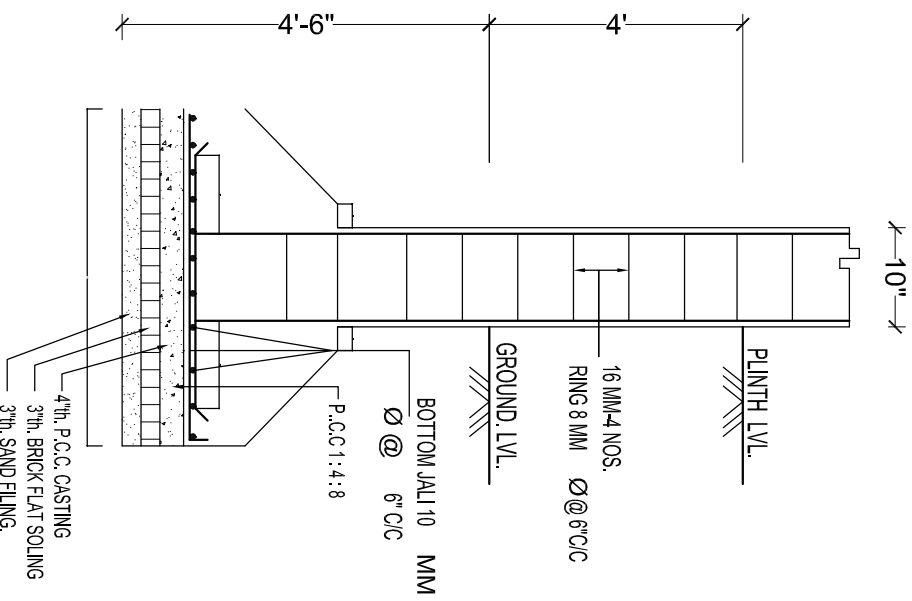
**DETAIL OF GROUND WATER RECHARGING PIT WITH SLIT TANK**



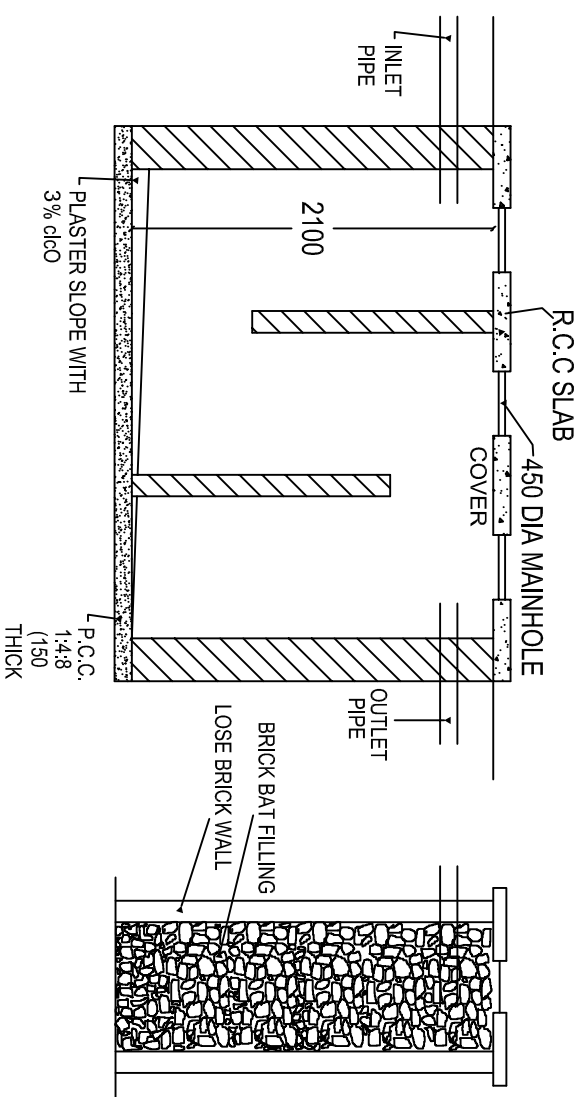
**SECTION AT A-A (SCALE 1:50)**



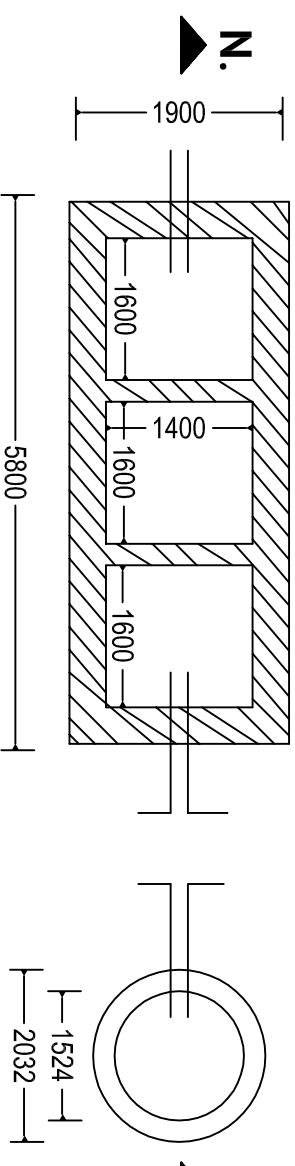
**PLAN OF COLUMN FOUNDATION**  
SCALE = 1:50



**SECTION ON A-A**  
SCALE = 1:50



**SECTION N.-N.**



**DETAIL OF SEPTIC TANK & SOAKPIT.**

1	
2	
3	
4	
5	
6	