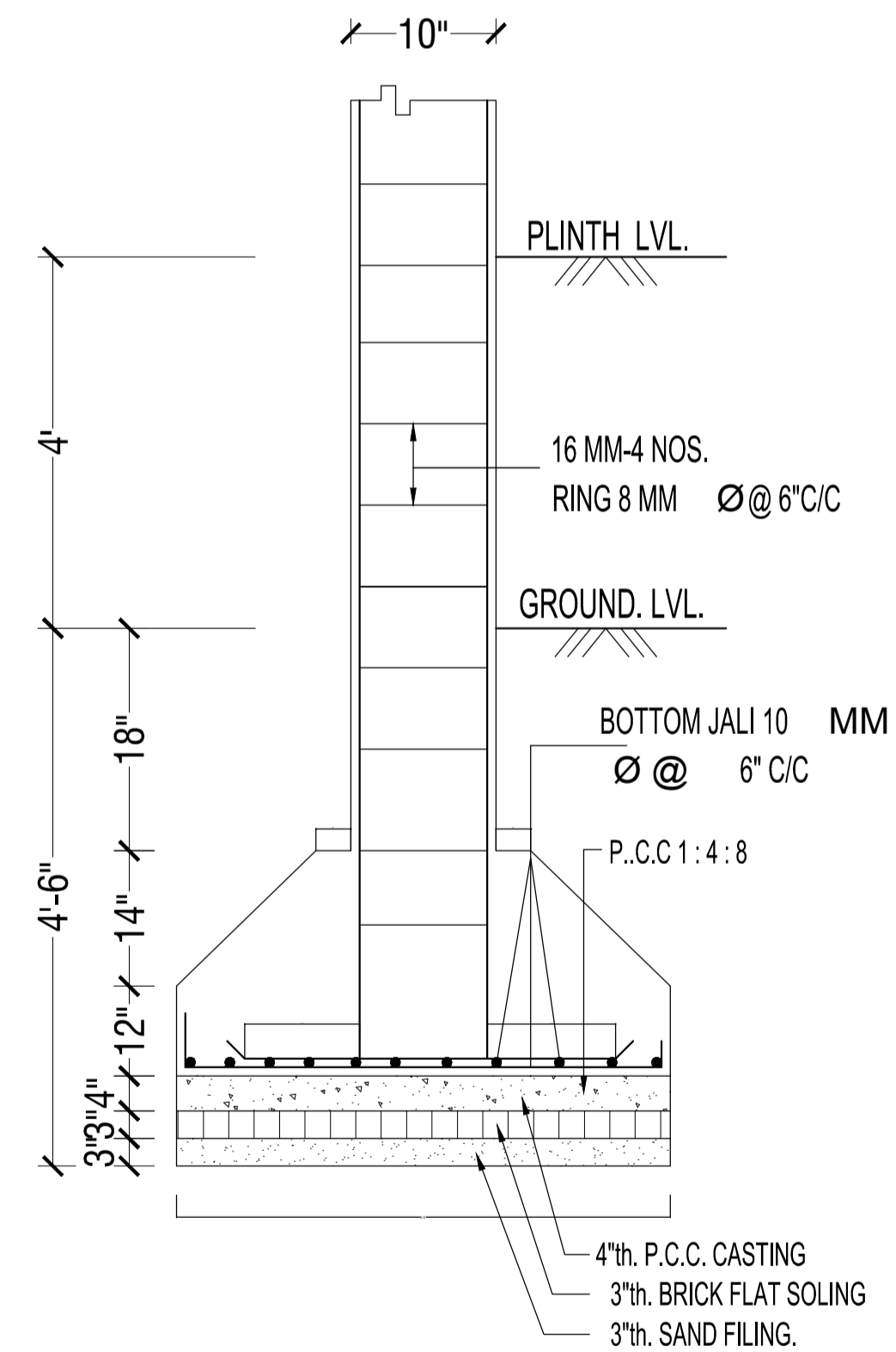
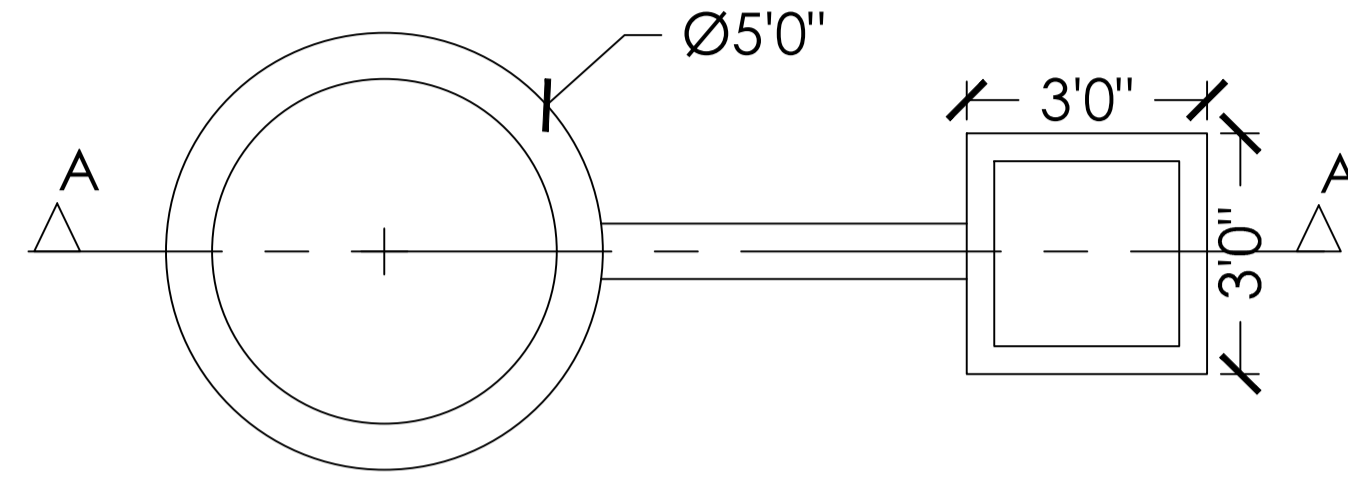


PLAN OF COLUMN FOUNDATION  
SCALE = 1:50

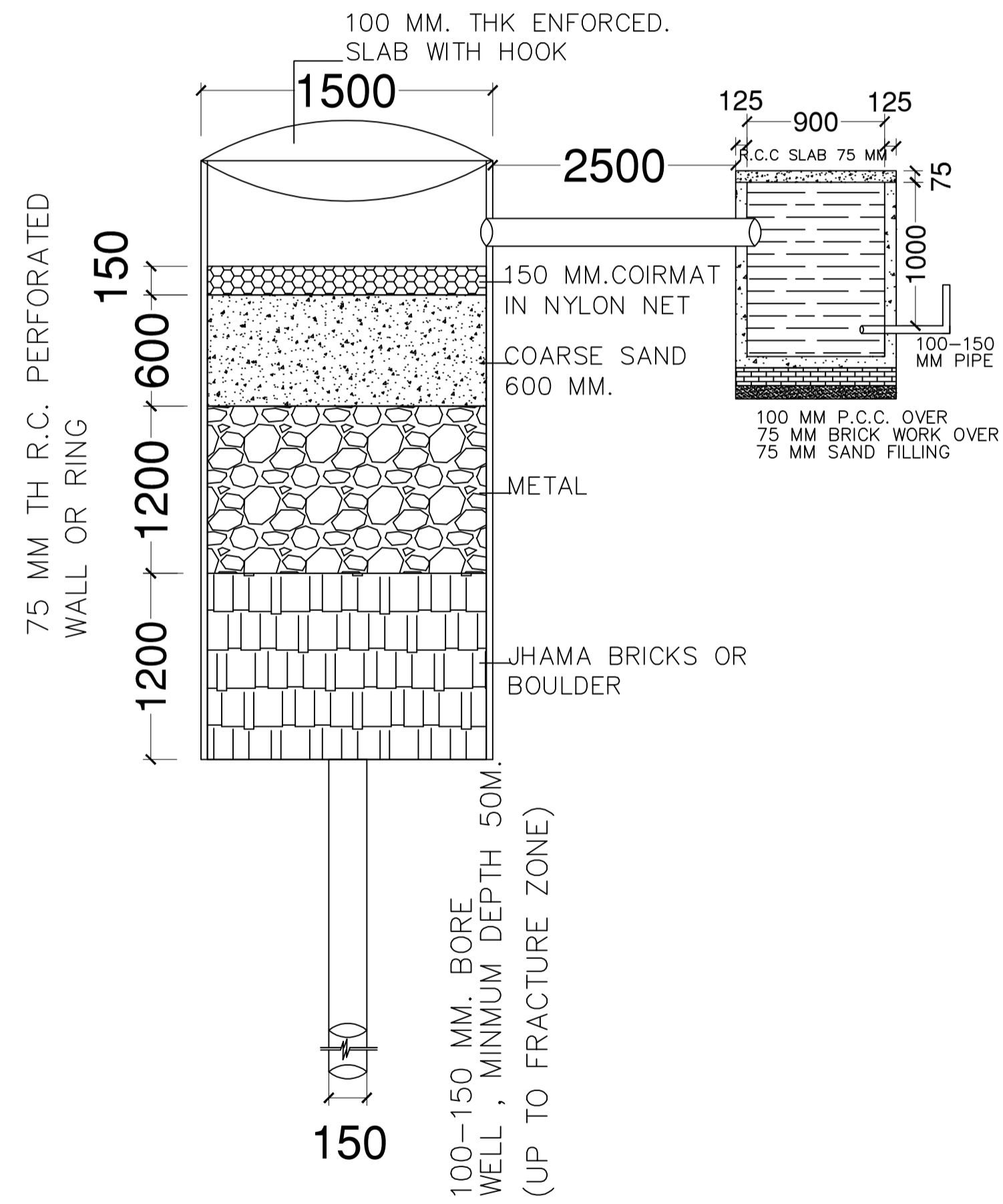


SECTION ON A-A  
SCALE = 1:50

Structure Detail

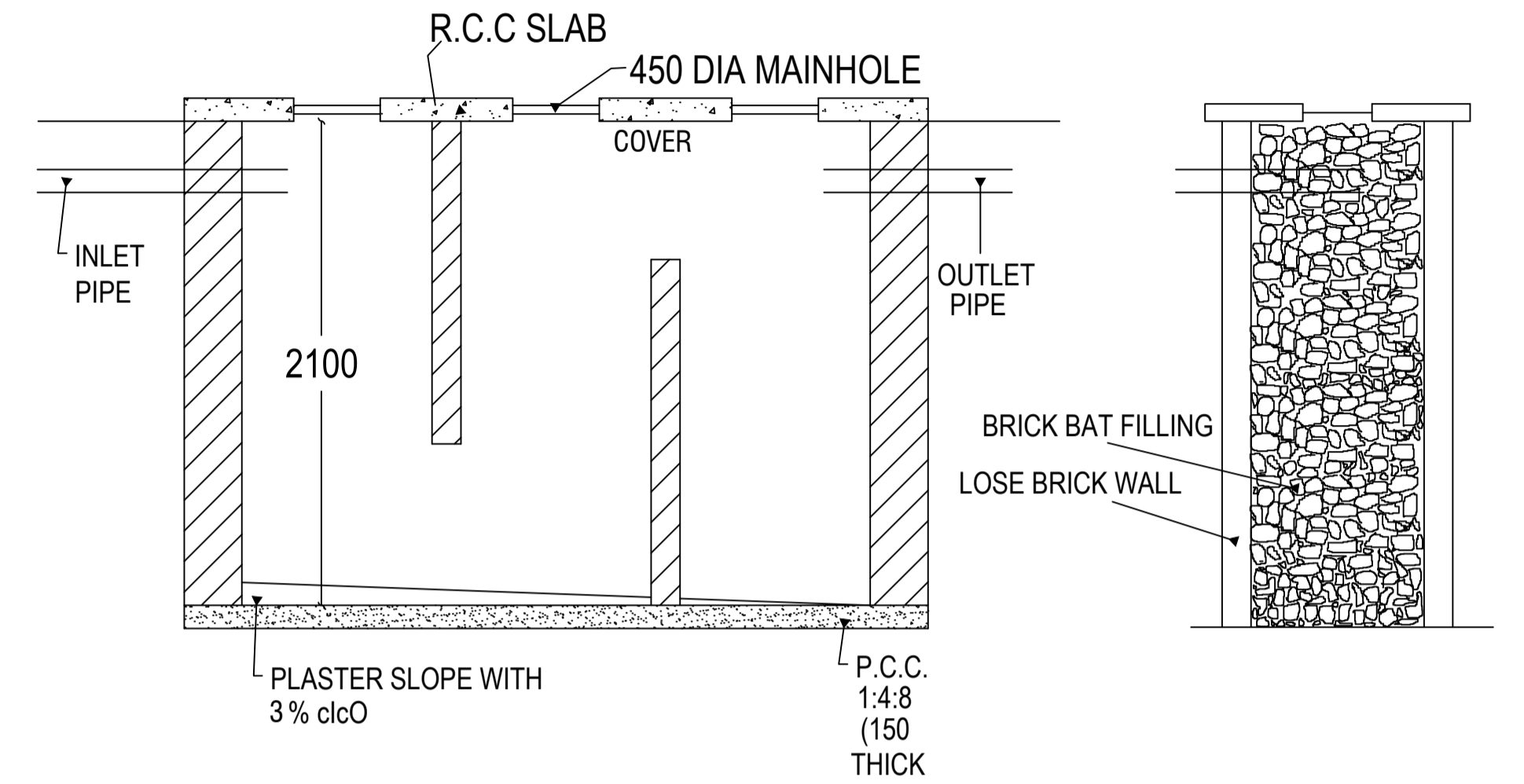


DETAIL OF GROUND WATER RECHARGING PIT WITH SLIT TANK

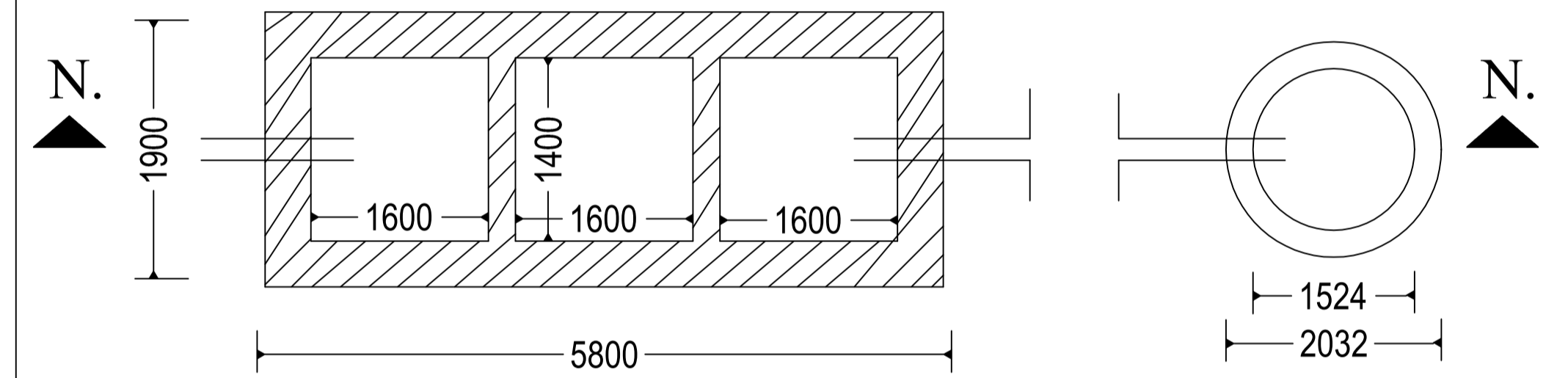


SECTION AT A-A (SCALE 1:50)

Rain Water Storage Tank Detail



SECTION N.-N.



DETAIL OF SEPTIC TANK & SOAKPIT.

Septic Tank Detail