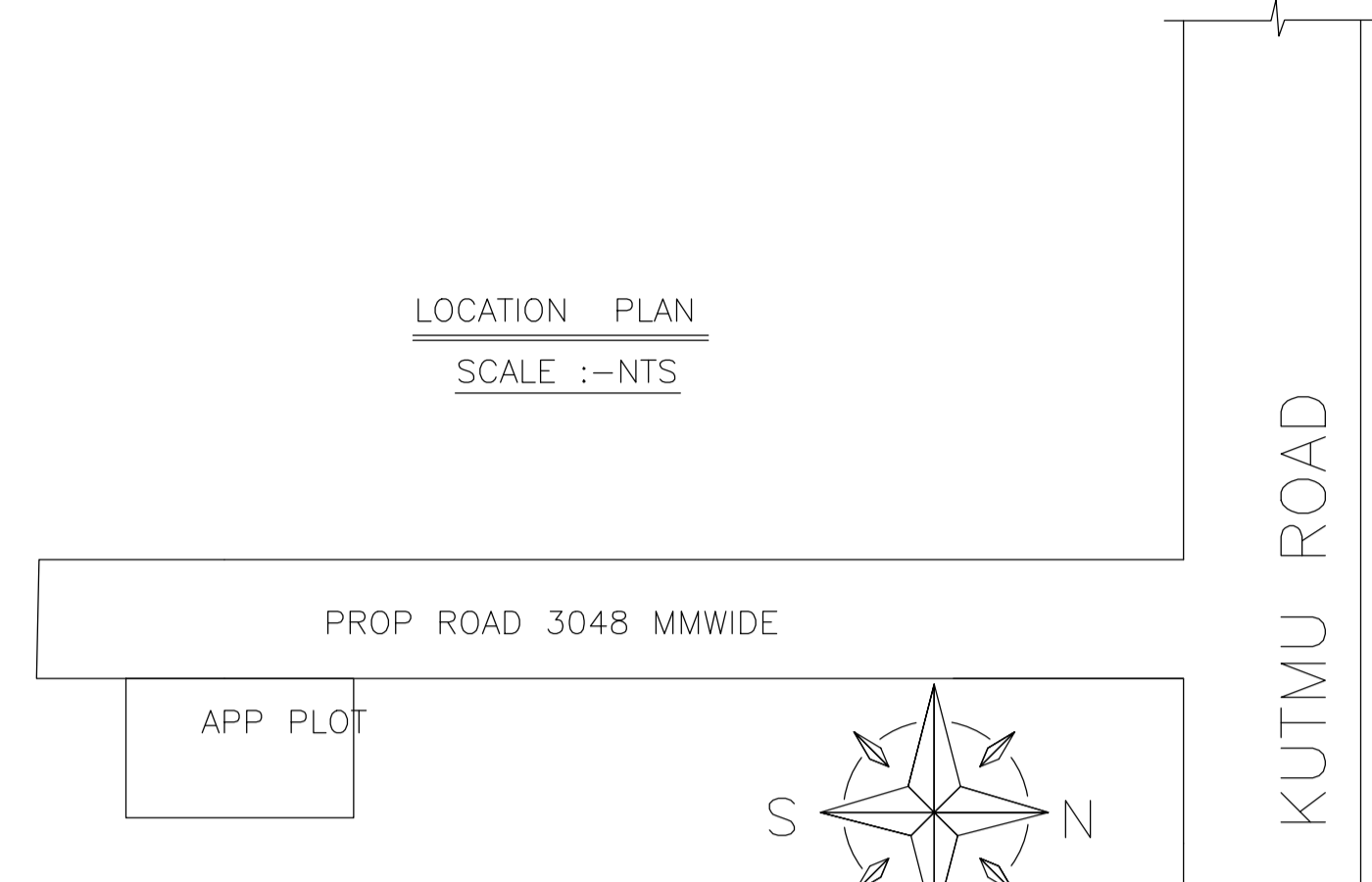
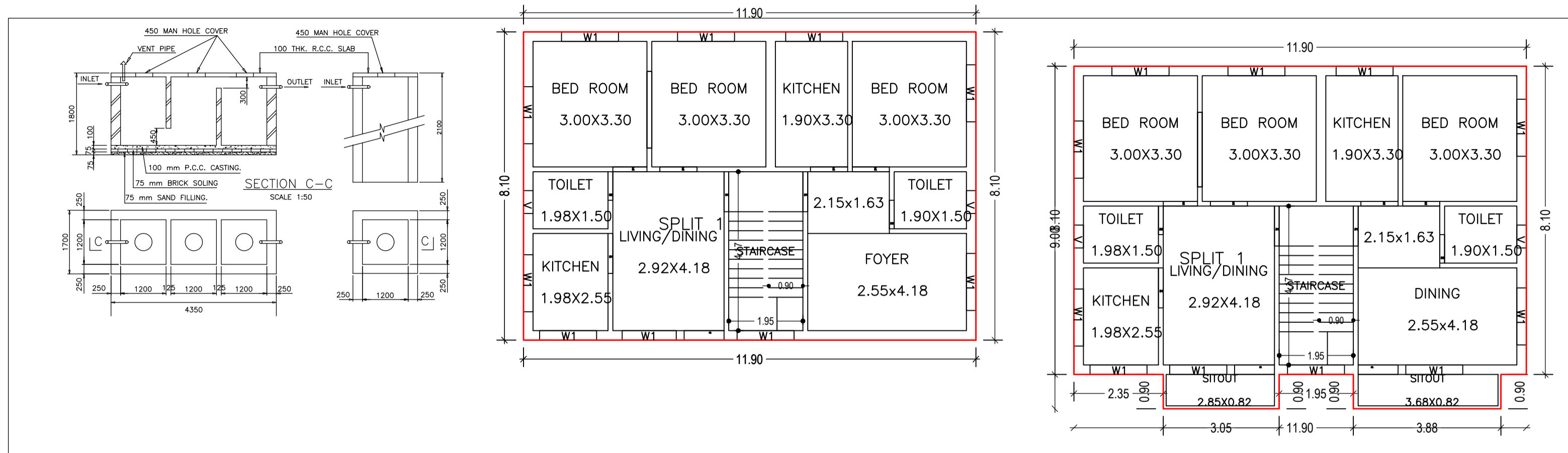


Project Title :



Proposal Basic Information

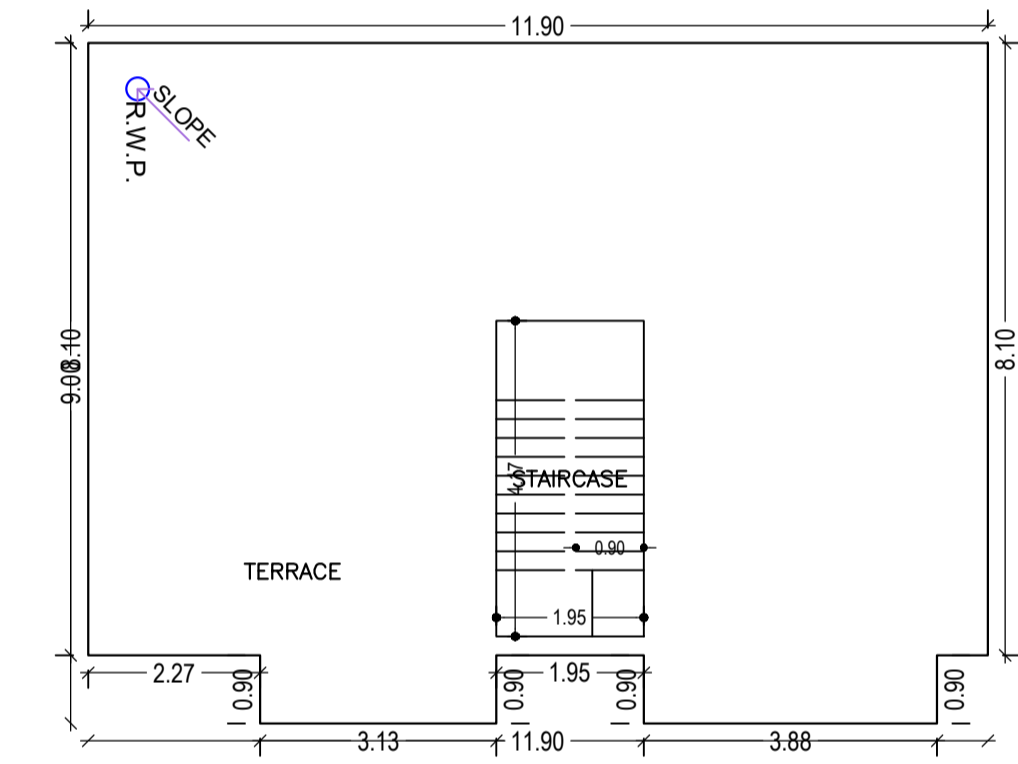
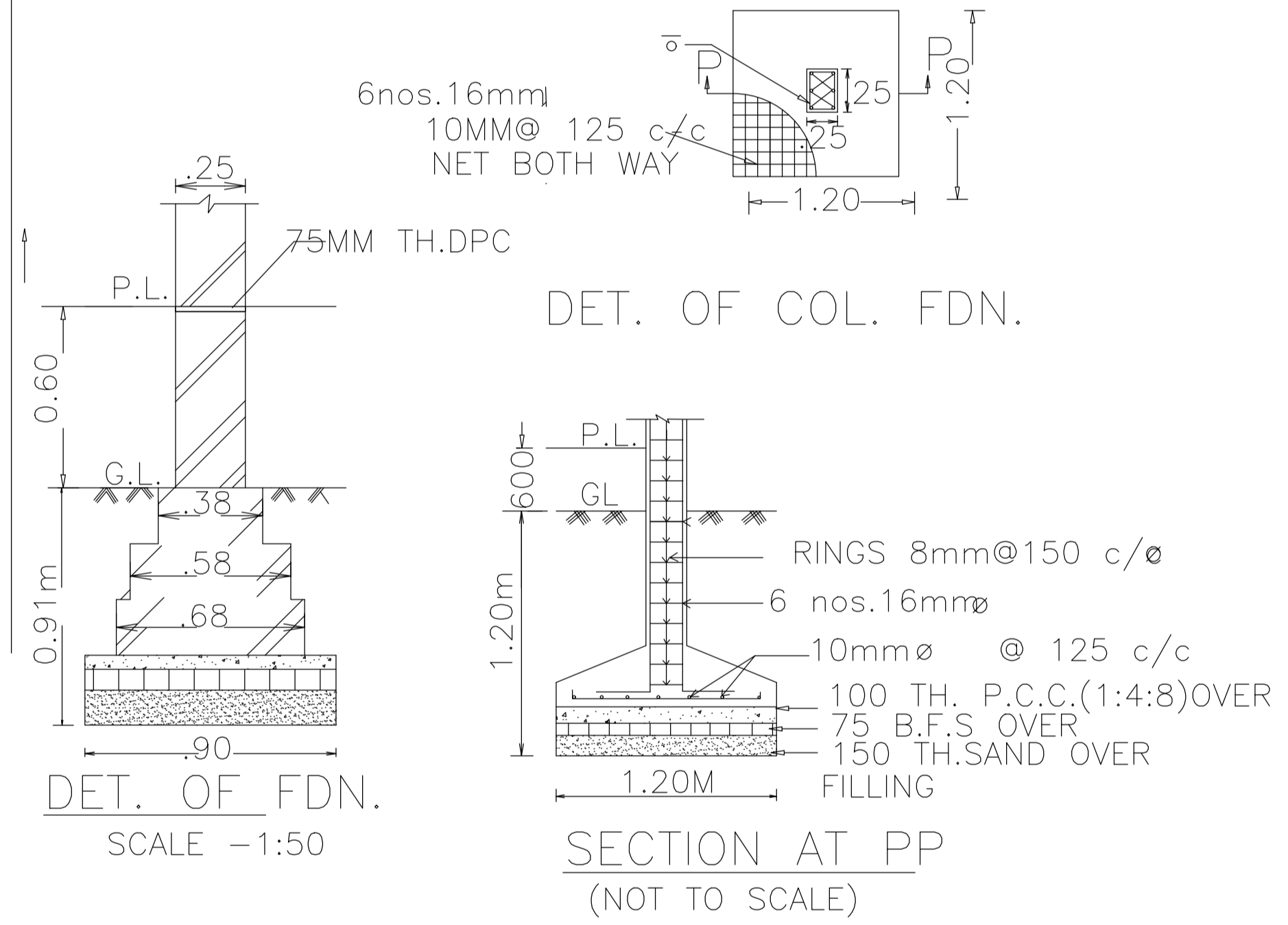
Proposal File No.	LNP/IBP/0044/W04/2021
Owner Name	SUNITA STELLA KUJUR
Khata No	44/NEW 192
Plot No	861/973NEW
Village Name	Katmu
Use	Residential
SubUse	Bungalow/ Dwelling / Non Apartment

SCHEDULE OF DOOR:

BUILDING NAME	NAME	LENGTH	HEIGHT	NOS
A (RESIDENTIAL G2)	D2	0.75	2.10	04
A (RESIDENTIAL G2)	D1	0.90	2.10	02
A (RESIDENTIAL G2)	D1	0.98	2.10	06
A (RESIDENTIAL G2)	D1	1.05	2.10	06
A (RESIDENTIAL G2)	D	1.05	2.10	03

SCHEDULE OF WINDOW/VENTILATION:

BUILDING NAME	NAME	LENGTH	HEIGHT	NOS
A (RESIDENTIAL G2)	V	0.60	1.80	04
A (RESIDENTIAL G2)	W1	1.43	1.80	01
A (RESIDENTIAL G2)	W1	1.50	1.80	20



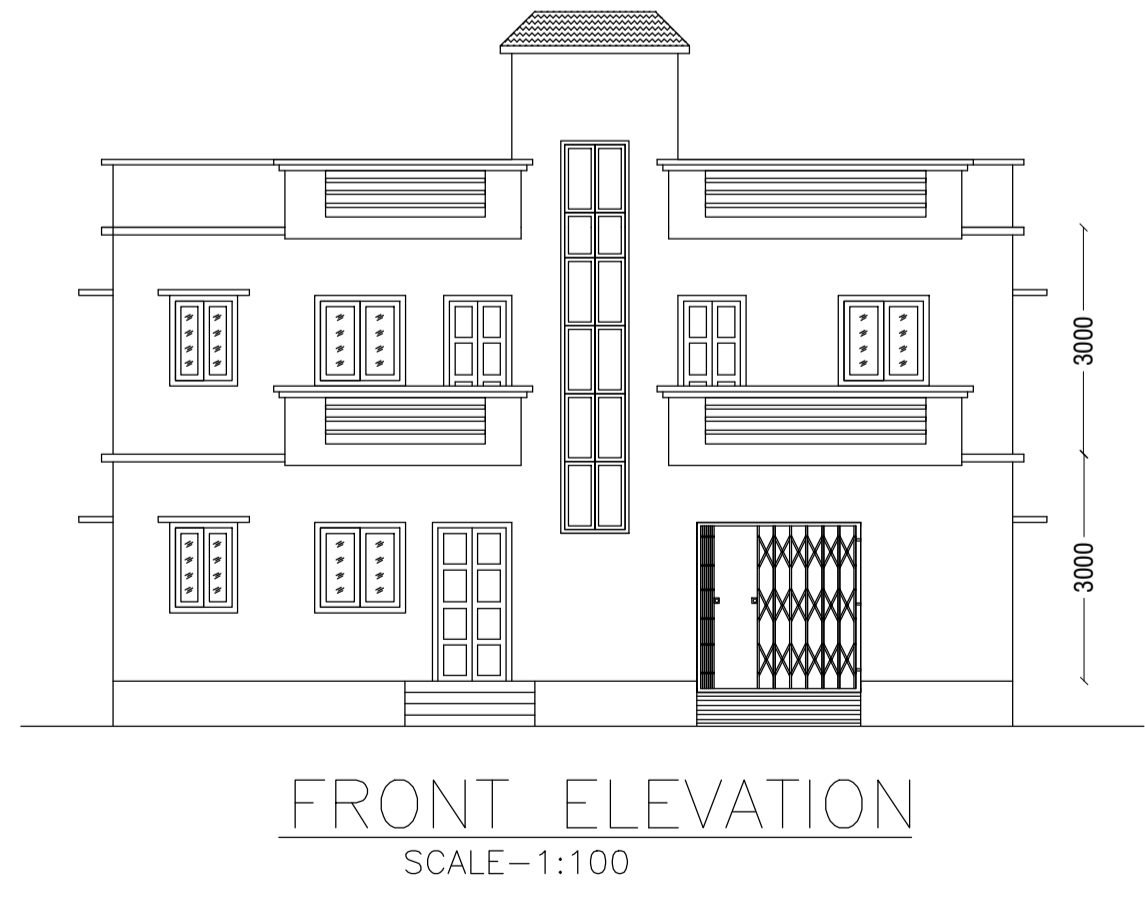
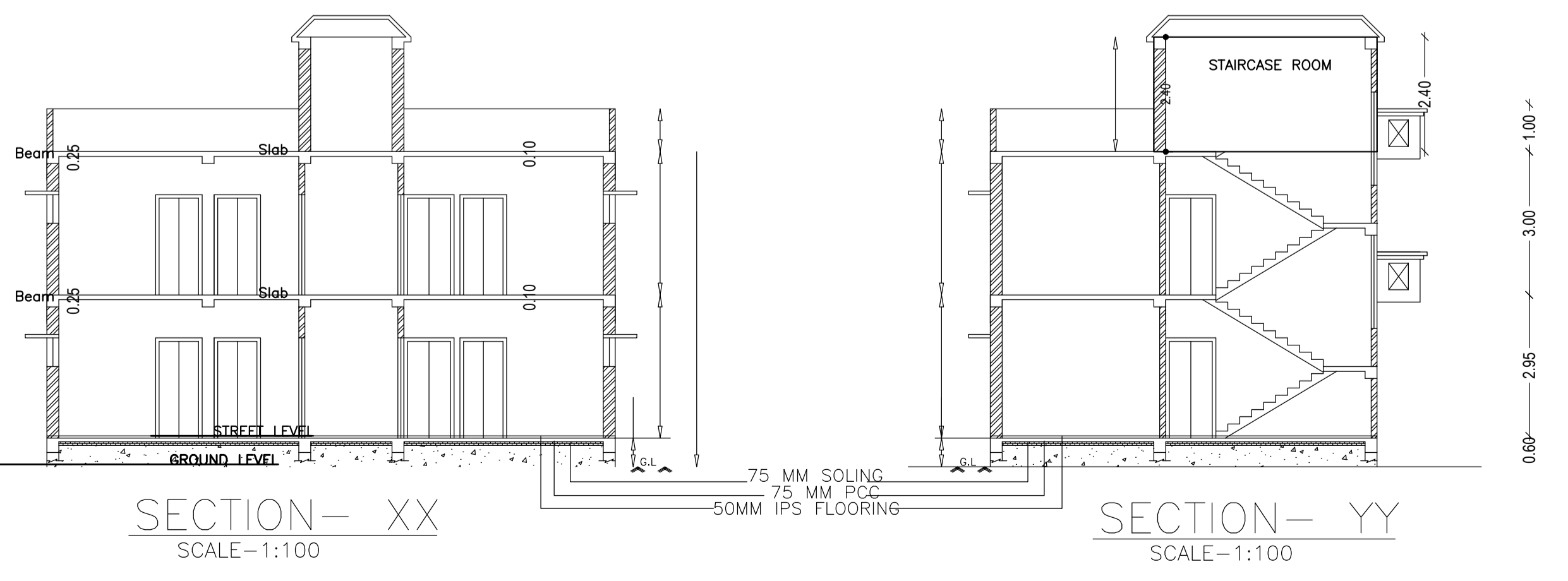
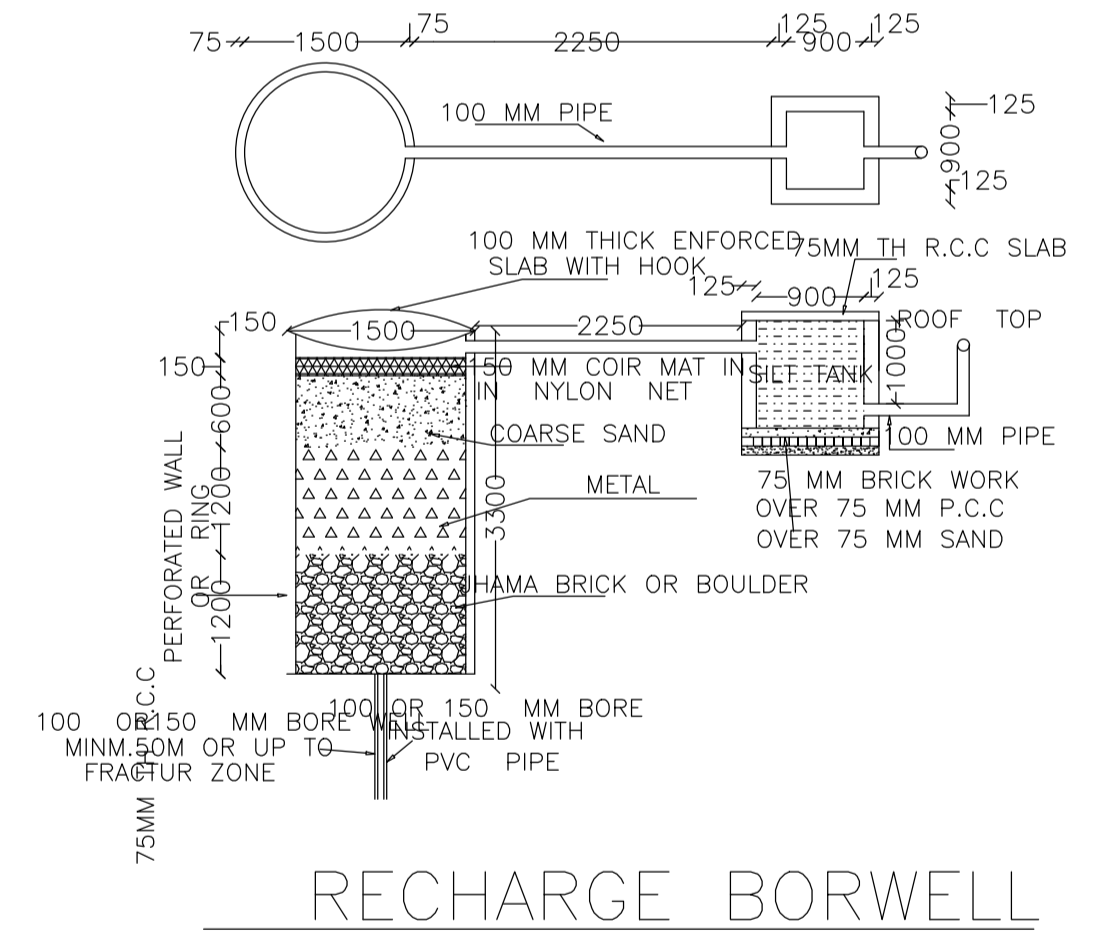
Building :A (RESIDENTIAL G2)

Floor Name	Total Built Up Area (Sq.mt.)	Proposed FAR Area (Sq.mt.) Resi.	Total FAR Area (Sq.mt.)	Total Consumed Additional FAR Area (Sq.mt.)	Tnmt (No.)
Ground Floor	96.39	96.39	96.39	96.39	01
First Floor	102.63	102.63	102.63	102.63	00
Terrace Floor	0.00	0.00	0.00	0.00	00
Total:	199.02	199.02	199.02	199.02	01

Total Number of Same Buildings : 1

UnitBUA Table for Building :A (RESIDENTIAL G2)

FLOOR	Name	UnitBUA Type	UnitBUA Area	Carpet Area	No. of Rooms	No. of Tenement
GROUND FLOOR PLAN	SPLIT 1	FLAT	180.30	179.80	9	1
FIRST FLOOR PLAN	SPLIT 1	FLAT	0.00	0.00	11	0
Total:	-	-	180.30	179.80	20	1



LTP NAME AND SIGNATURE	STRUCTURAL ENG'S NAME AND SIGNATURE	BUILDER NAME AND SIGNATURE	DIGITAL SIGNATURE
SUNIL KUMAR LNP/ENG/0004/2017			