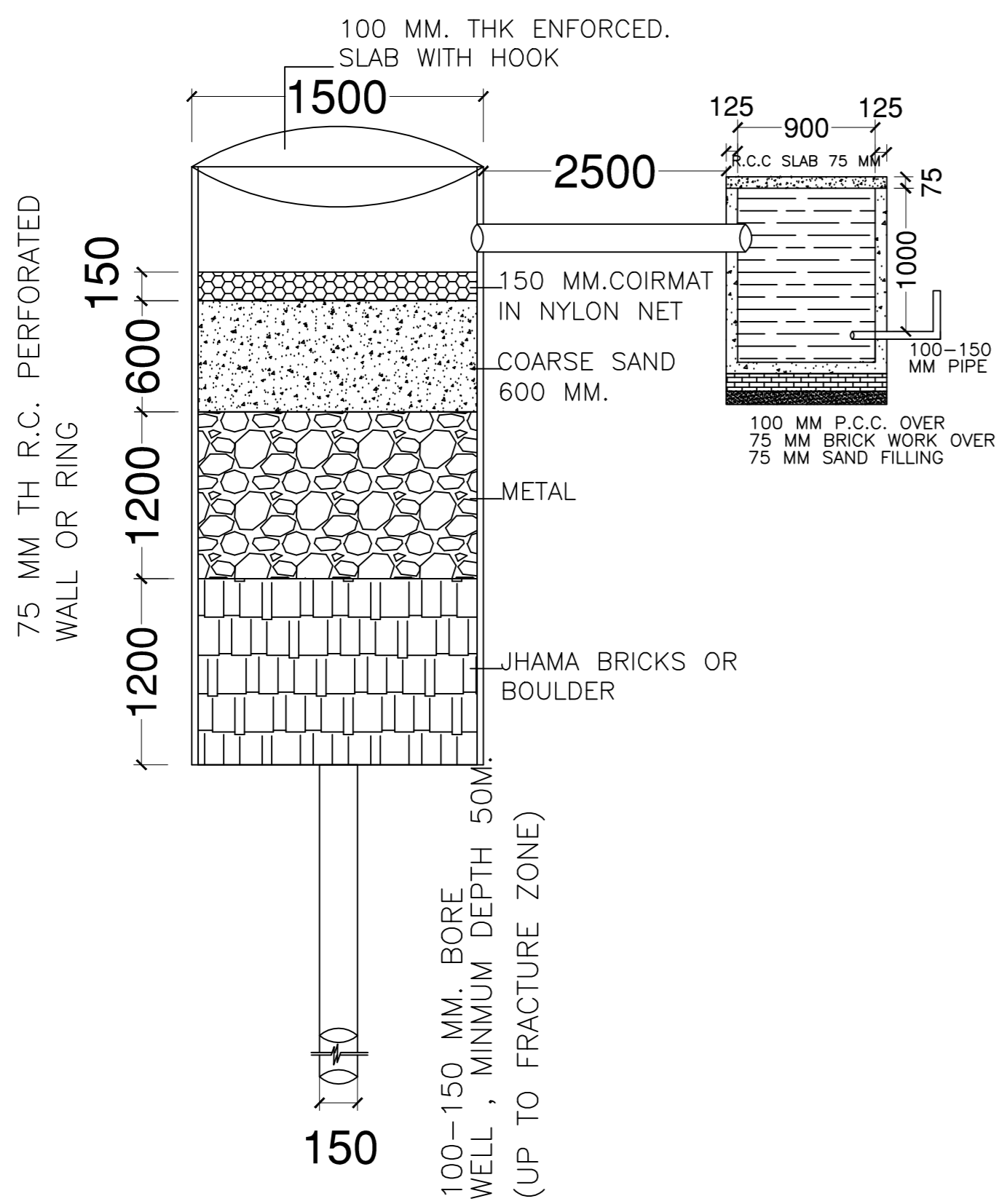
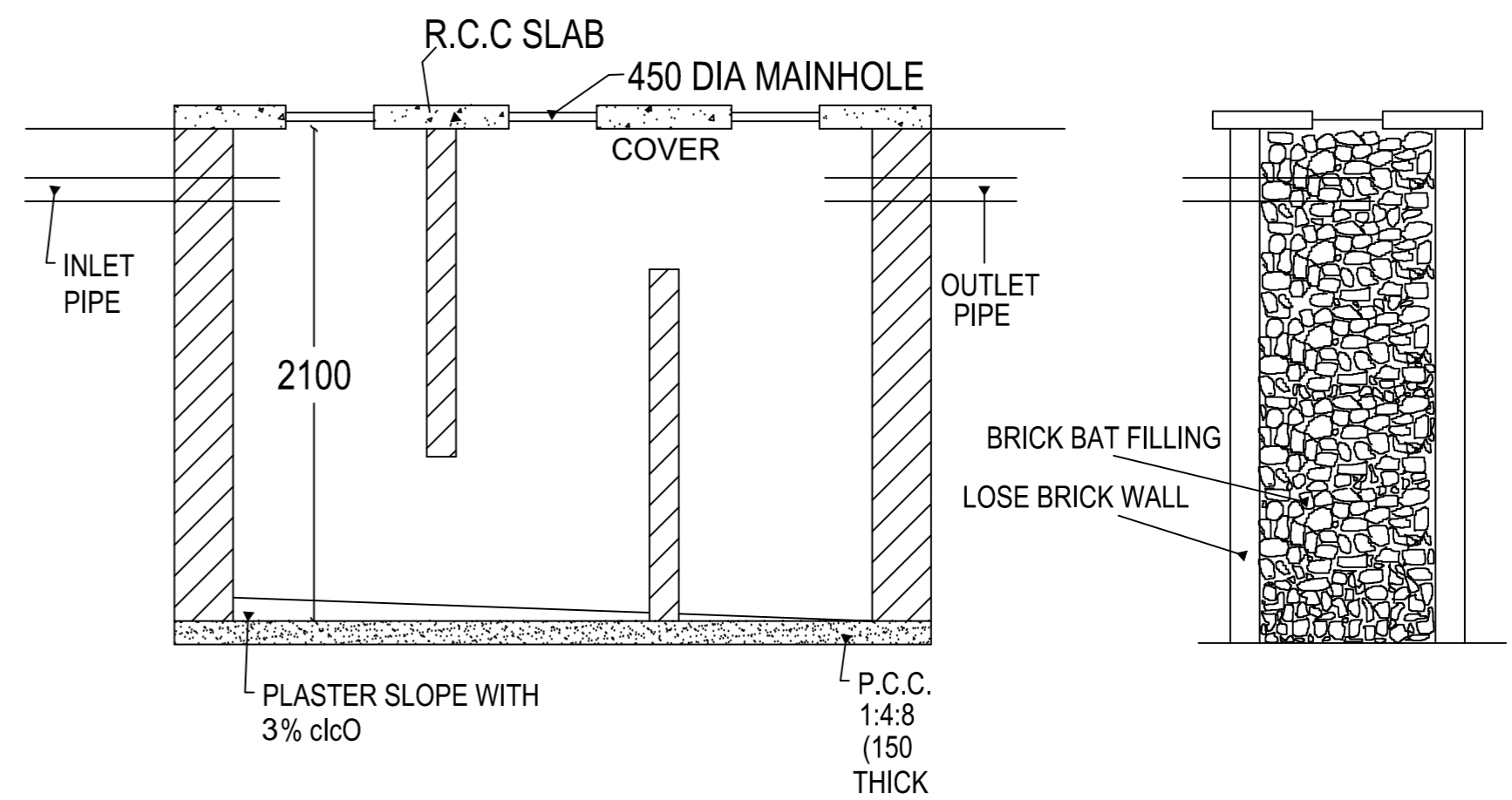


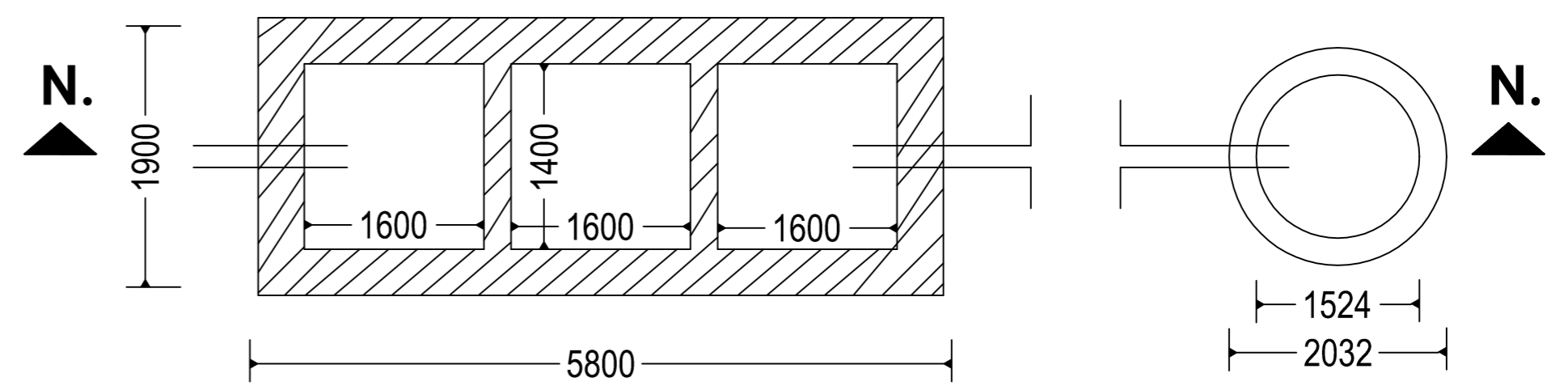
DETAIL OF GROUND WATER RECHAREGING PIT WITH SLIT TANK



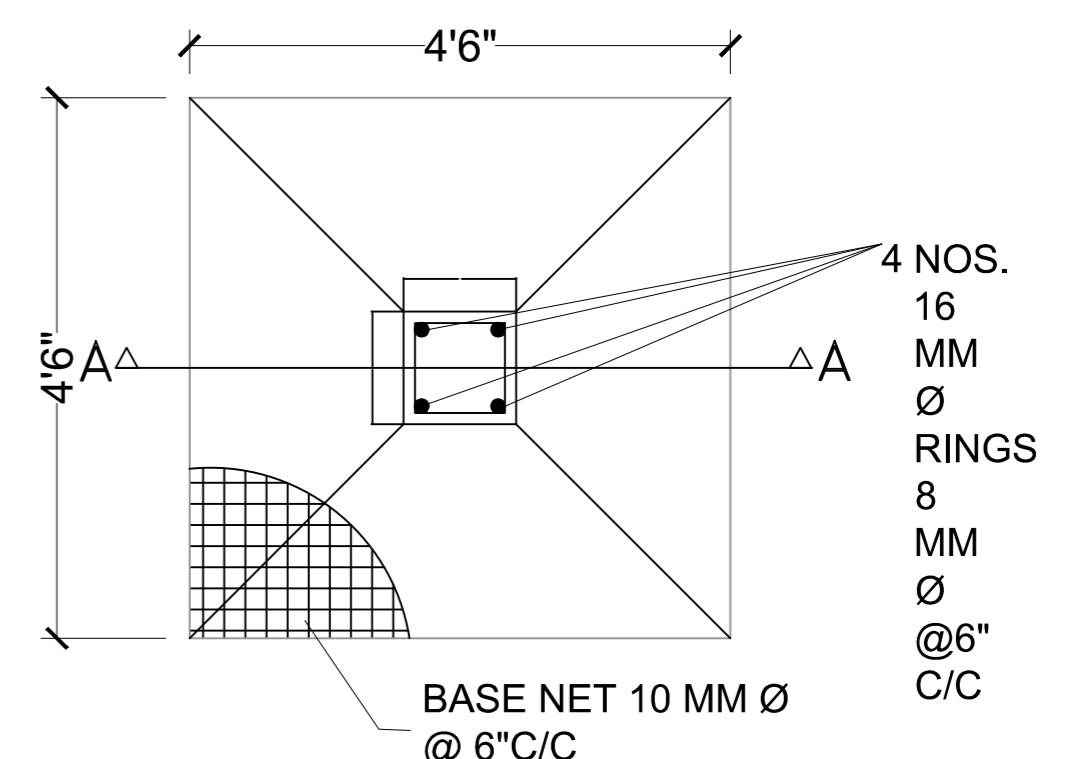
SECTION AT A-A (SCALE 1:50)



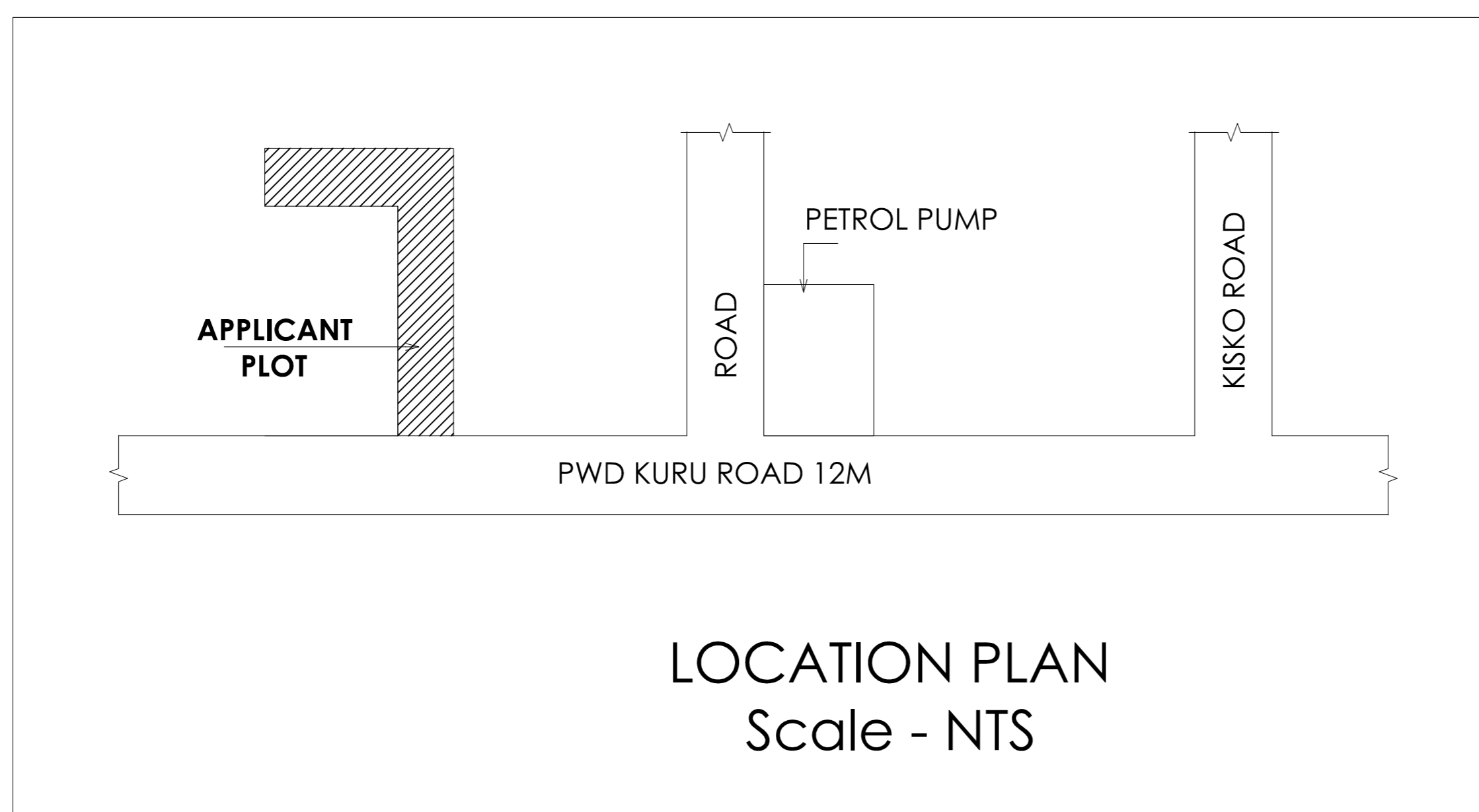
SECTION N.-N.



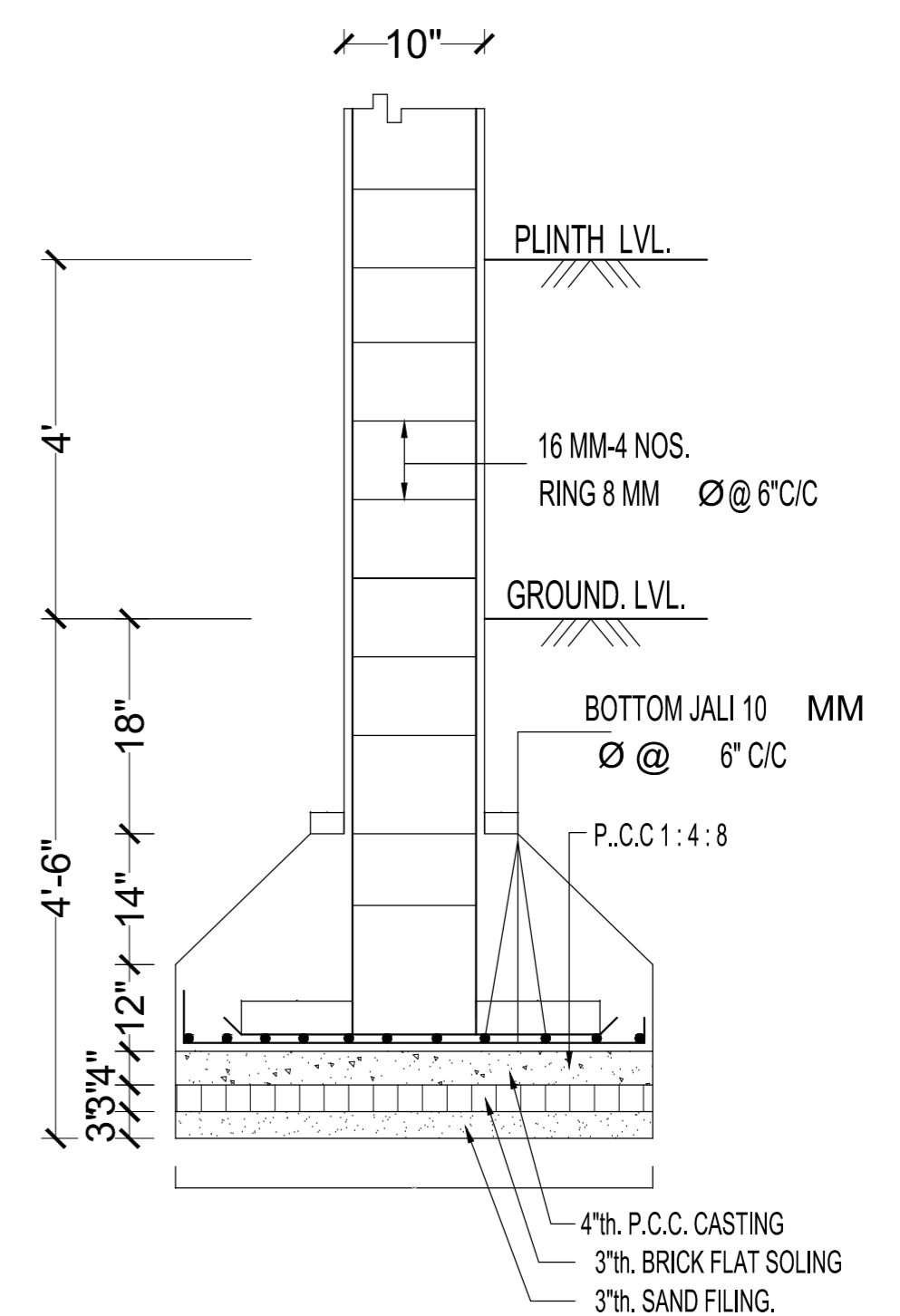
DETAIL OF SEPTIC TANK & SOAKPIT.



**PLAN OF COLUMN FOUNDATION
SCALE= 1:50**



**LOCATION PLAN
Scale - NTS**



**SECTION ON A-A
SCALE= 1:50**