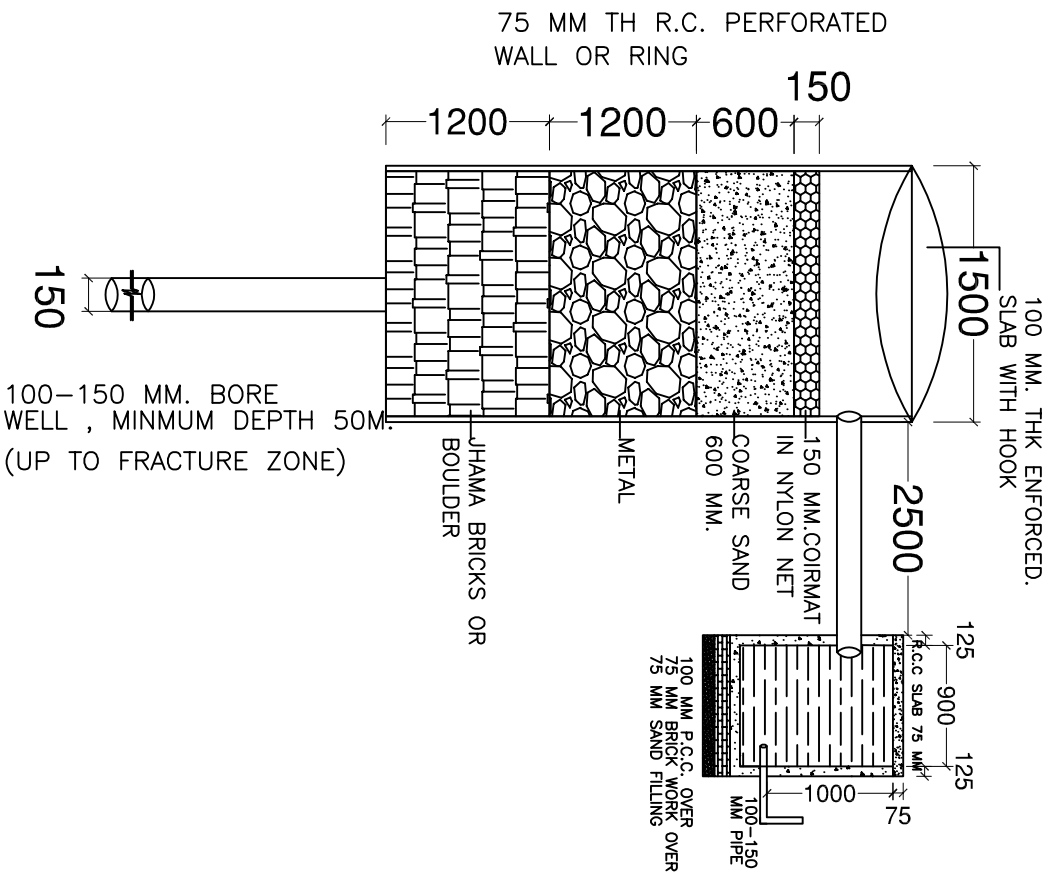
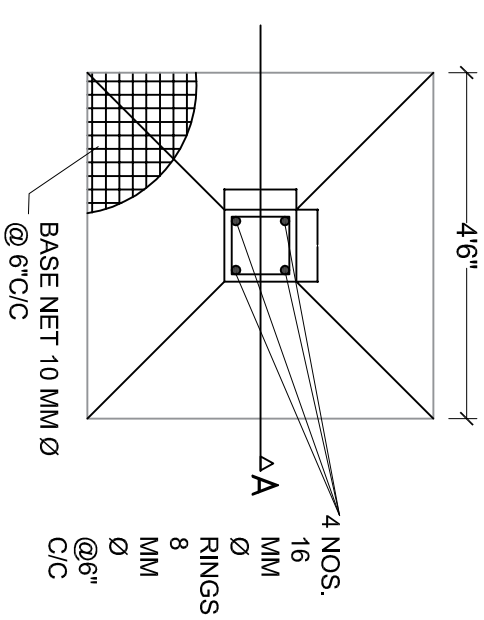


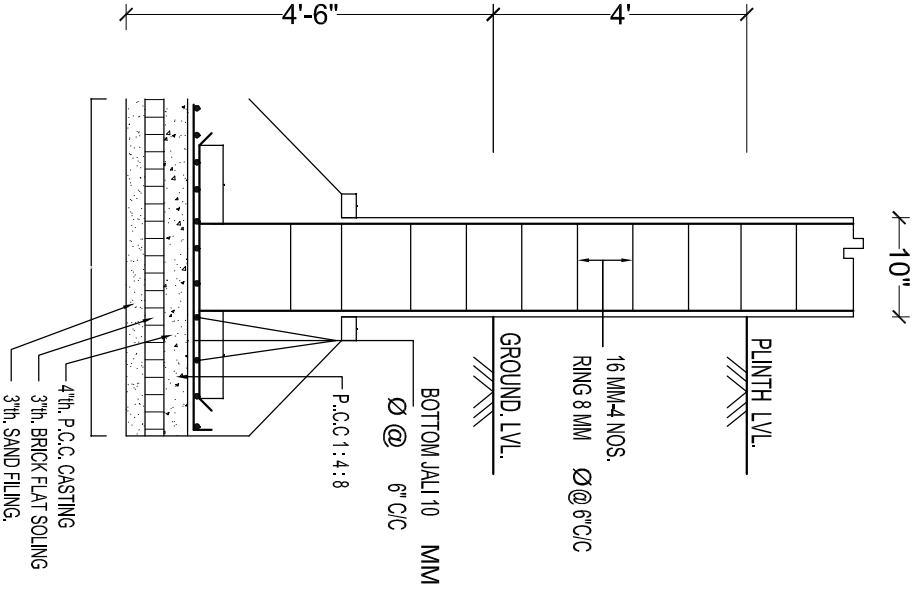
DETAIL OF GROUND WATER RECHARGEING PIT WITH SLIT TANK



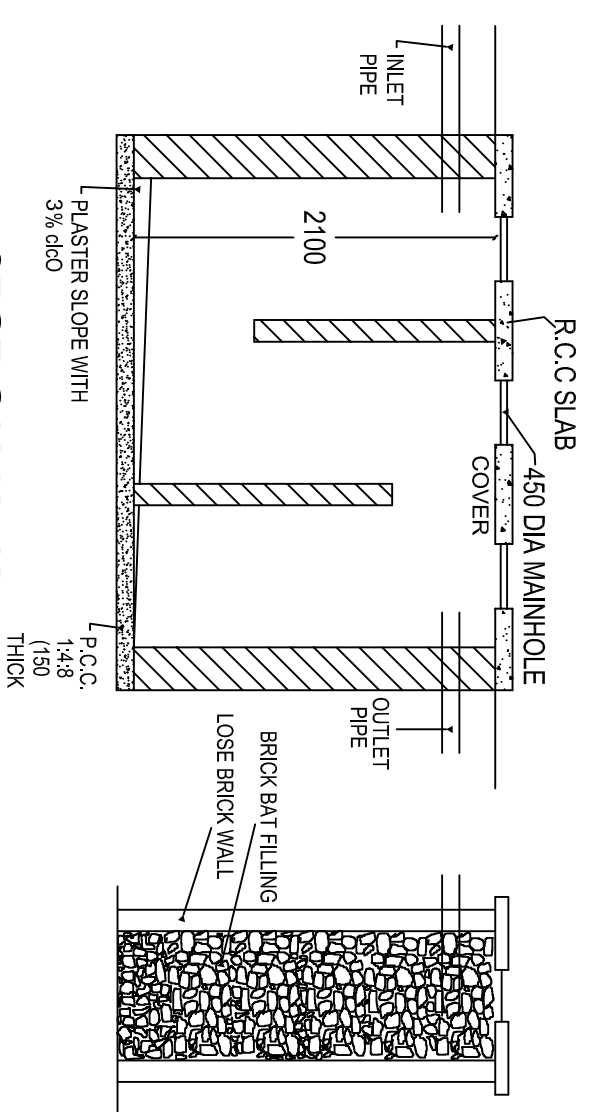
SECTION AT A-A (SCALE 1:50)



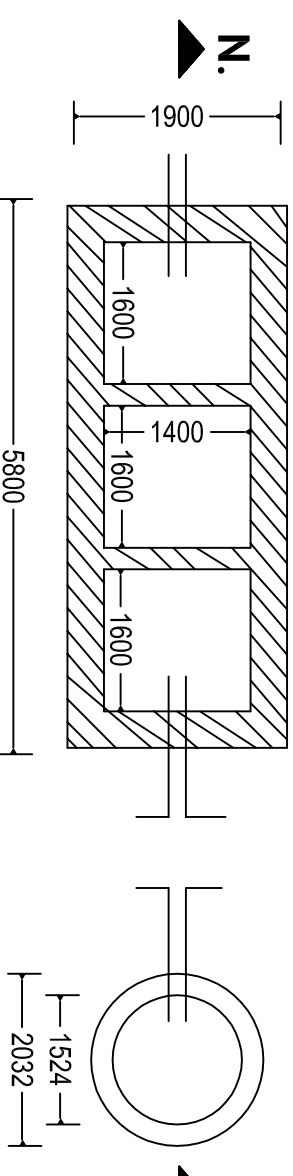
PLAN OF COLUMN FOUNDATION SCALE= 1:50



SECTION ON A-A SCALE= 1:50



SECTION N.-N.



DETAIL OF SEPTIC TANK & SOAKPIT.

1	
2	
3	
4	
5	
6	